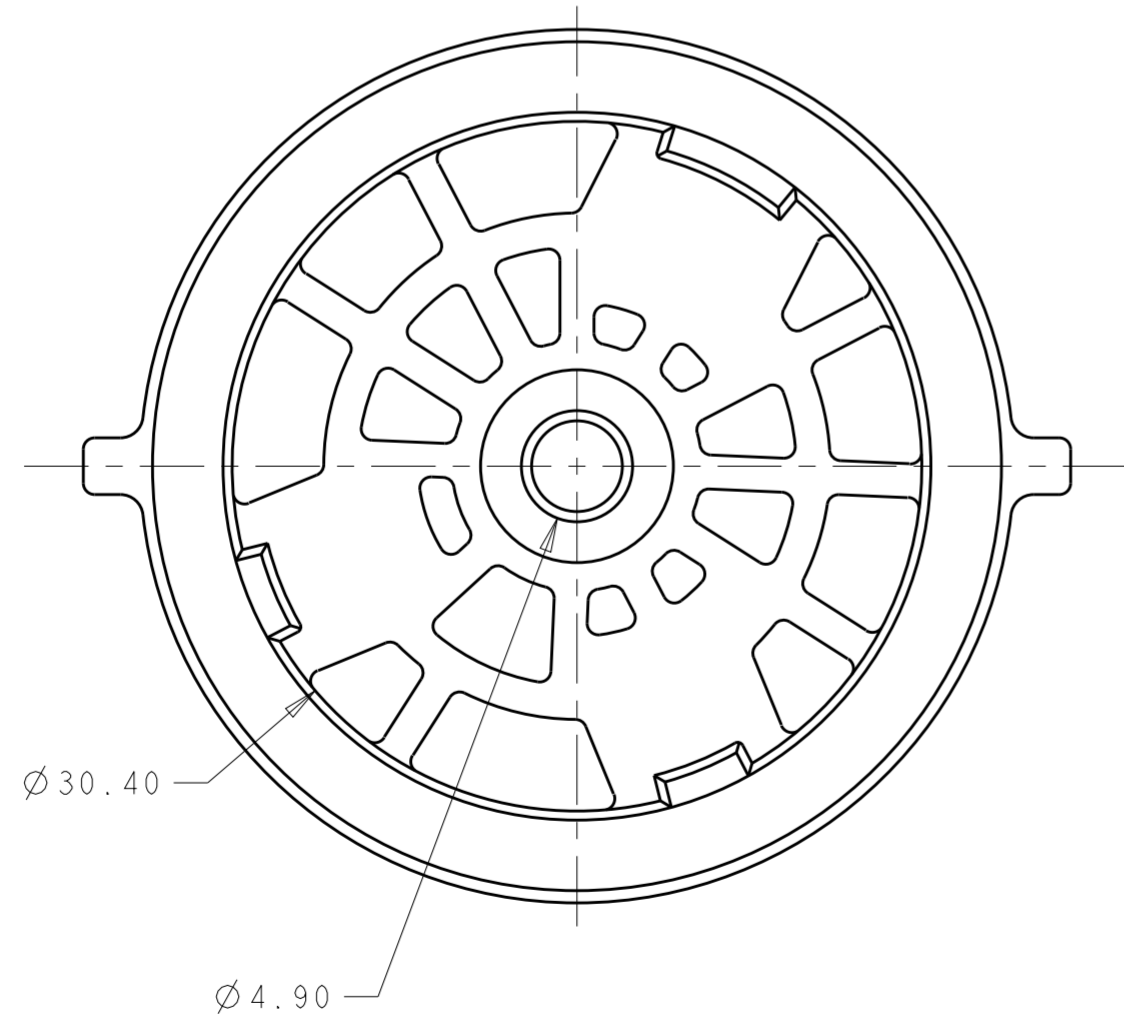
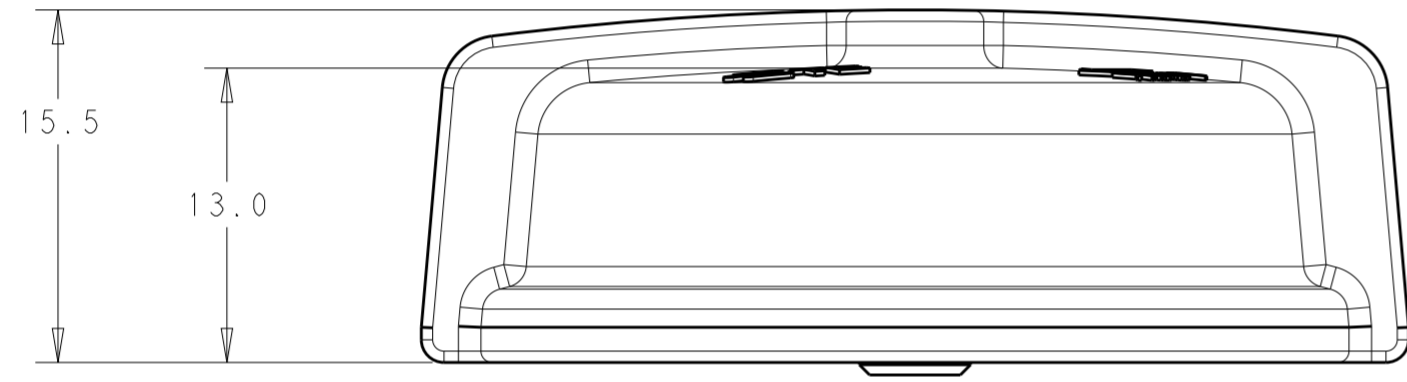
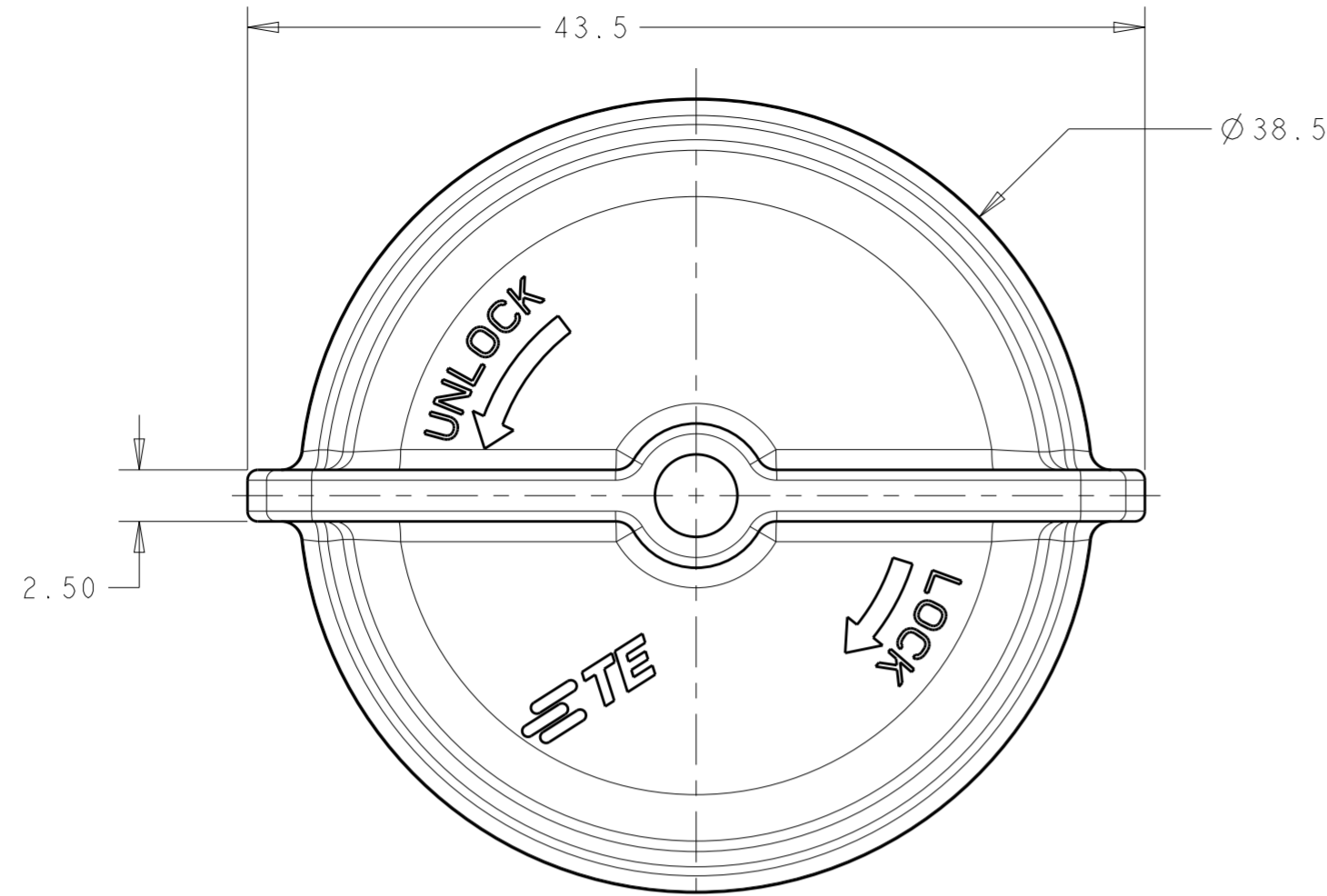


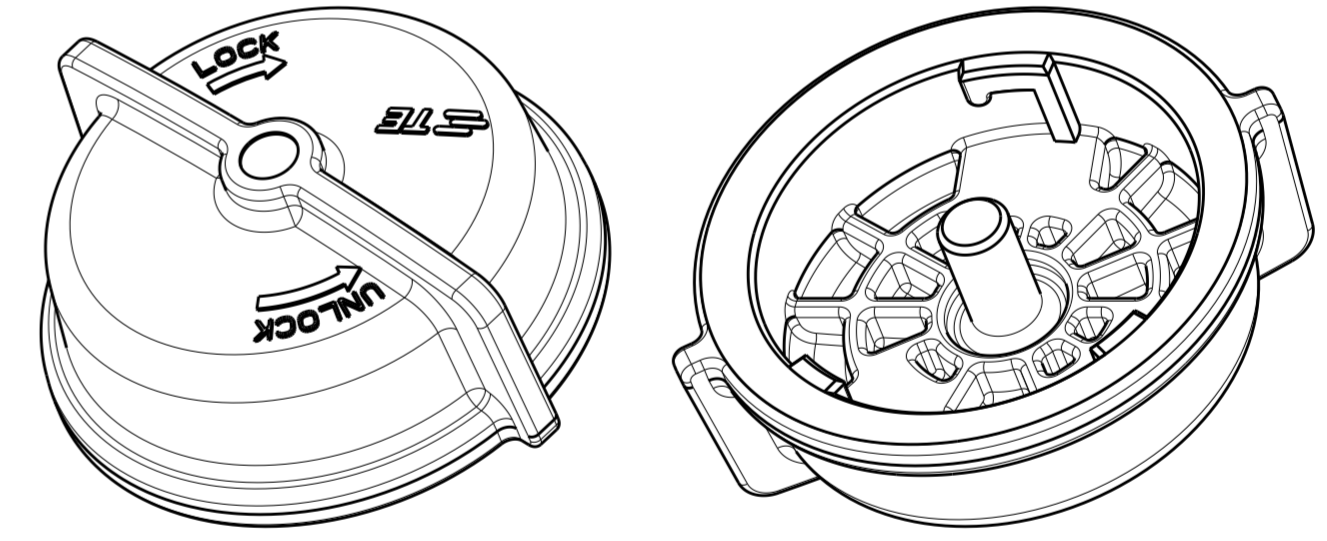
THIS DRAWING IS UNPUBLISHED. RELEASED FOR PUBLICATION
 © COPYRIGHT copyright.dBTe- ALL RIGHTS RESERVED.

REVISIONS					
P	LTR	DESCRIPTION	DATE	DWN	APVD
5		REMOVE PRELIM NOTE	10AUG2017	MM	MM
A		REVISED PER ECR-18-014848	20SEP2018	SR	DD
A1		REVISED PER ECR-18-017637	13NOV2018	GCM	DD



NOTES:

- 1 MATERIALS AND FINISH:
 -SEALING CAP: PBT, COLOR: SEE TABLE
- 2. MUST COMPLY WITH DIRECTIVE 2002/95/EC (ROHS)



RAL 7035	LIGHT GRAY	2213795-2
RAL 7043	DARK GRAY	2213795-1
REFERENCE COLOR No.	COLOR	PART No.

THIS DRAWING IS A CONTROLLED DOCUMENT.		DWN C. DAILY 04APR2016	TE Connectivity		
		CHK E. HOWARD 04APR2016			
DIMENSIONS:	TOLERANCES UNLESS OTHERWISE SPECIFIED:	APVD -	NAME SEALING CAP, LUMAWISE ENDURANCE S RECEPTACLE		
mm	0 PLC ± 1 PLC ±0.2 2 PLC ±0.15 3 PLC ± 4 PLC ± ANGLES ±2 FINISH	PRODUCT SPEC 108-133073	SIZE A2		
MATERIAL	-	APPLICATION SPEC 114-133074	CAGE CODE -	DRAWING NO. G-2213795	RESTRICTED TO -
		WEIGHT -	SCALE 5:1	SHEET 1 OF 1	REV A1
CUSTOMER DRAWING					