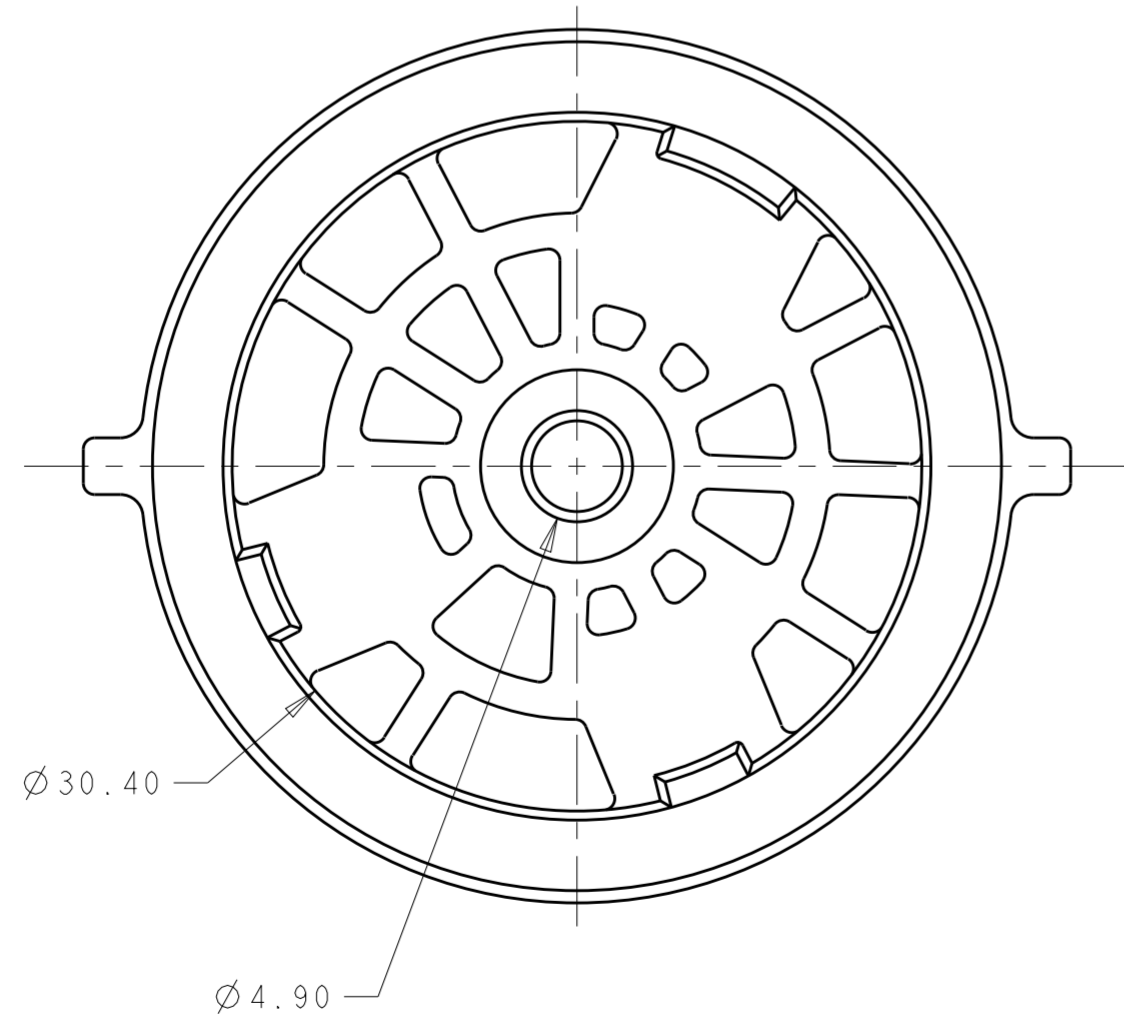
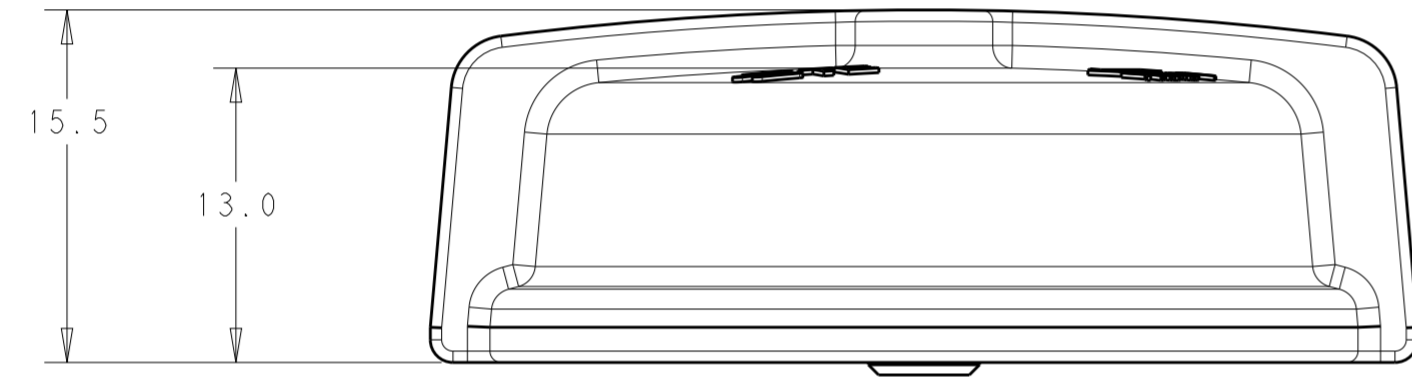
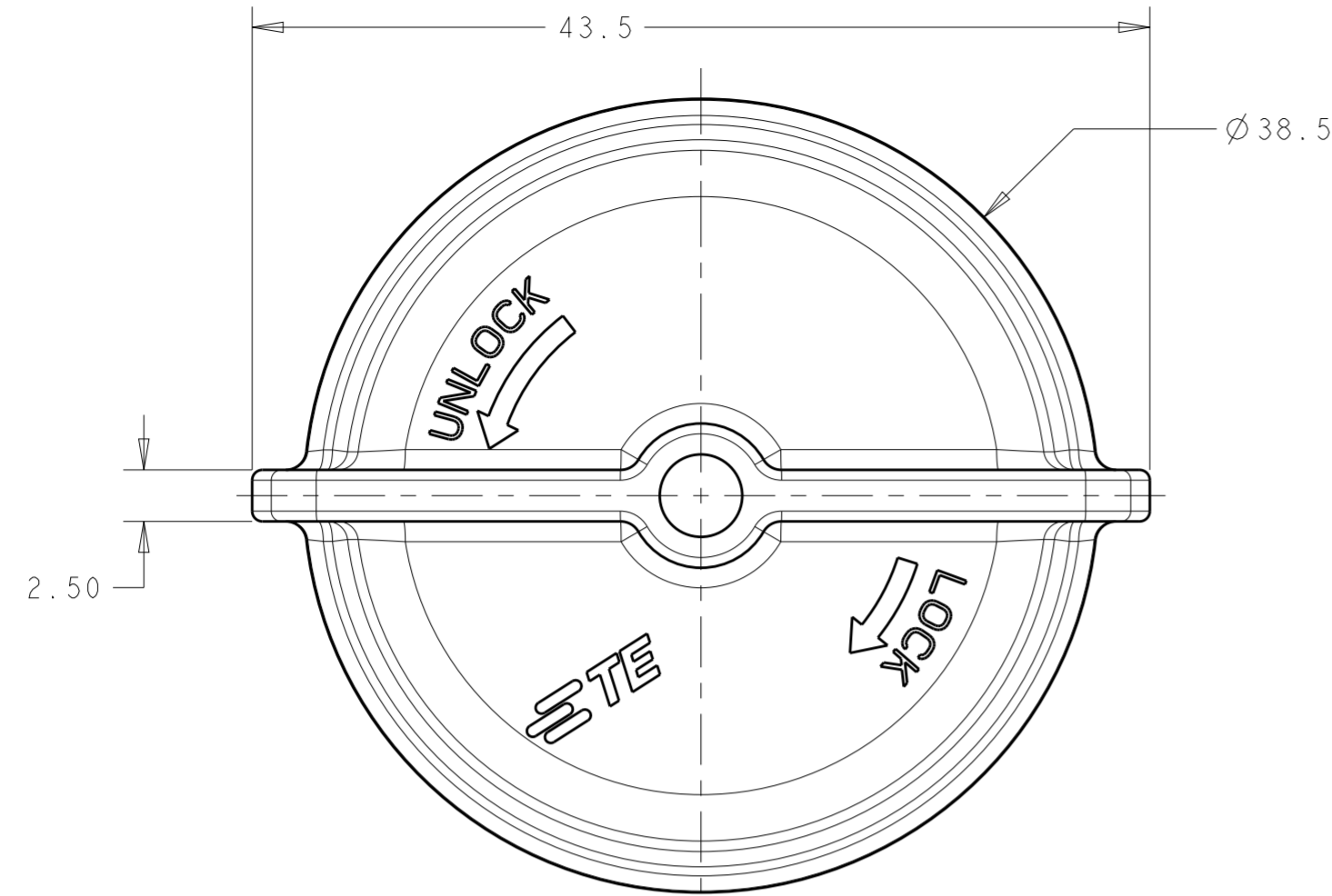


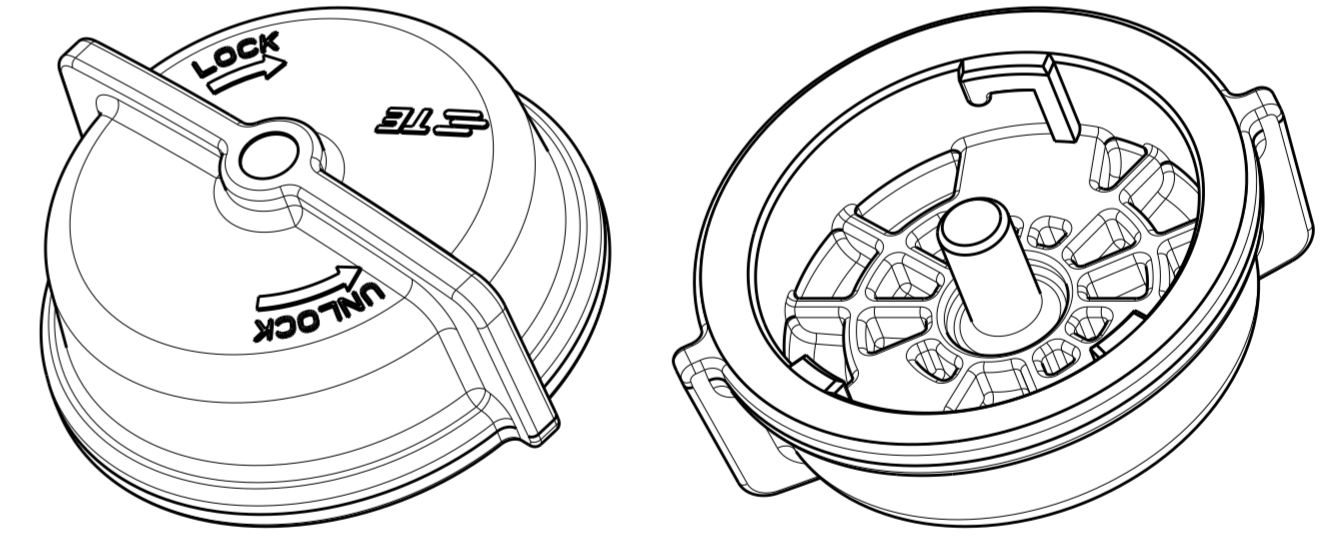
THIS DRAWING IS UNPUBLISHED. RELEASED FOR PUBLICATION
 © COPYRIGHT copyright.d8te- ALL RIGHTS RESERVED.

REVISIONS					
P	LTR	DESCRIPTION	DATE	DWN	APVD
5		REMOVE PRELIM NOTE	10AUG2017	MM	MM
A		REVISED PER ECR-18-014848	20SEP2018	SR	DD
A1		REVISED PER ECR-18-017637	13NOV2018	GCM	DD



NOTES:

- 1 MATERIALS AND FINISH:
 -SEALING CAP: PBT, COLOR: SEE TABLE
- 2. MUST COMPLY WITH DIRECTIVE 2002/95/EC (ROHS)



RAL 7035	LIGHT GRAY	2213795-2
RAL 7043	DARK GRAY	2213795-1
REFERENCE COLOR No.	COLOR	PART NO.

THIS DRAWING IS A CONTROLLED DOCUMENT.		DWN C. DAILY 04APR2016	TE Connectivity	
DIMENSIONS:		CHK E. HOWARD 04APR2016	NAME SEALING CAP, LUMAWISE ENDURANCE S RECEPTACLE	
TOLERANCES UNLESS OTHERWISE SPECIFIED:		APVD -	PRODUCT SPEC 108-133073	
mm			APPLICATION SPEC 114-133074	
0 PLC ± 1 PLC ±0.2 2 PLC ±0.15 3 PLC ± 4 PLC ± ANGLES ±2 FINISH -		WEIGHT -	SIZE A2	RESTRICTED TO -
MATERIAL		CUSTOMER DRAWING	CAGE CODE -	DRAWING NO. G-2213795
		SCALE 5:1	SHEET 1 OF 1	REV A1