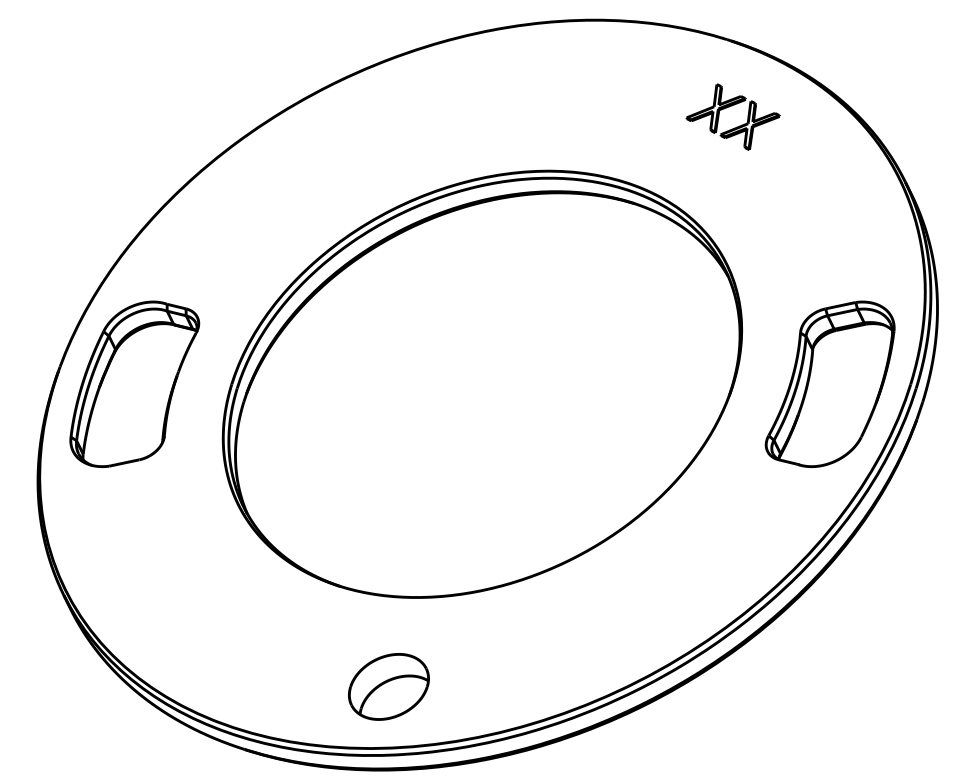
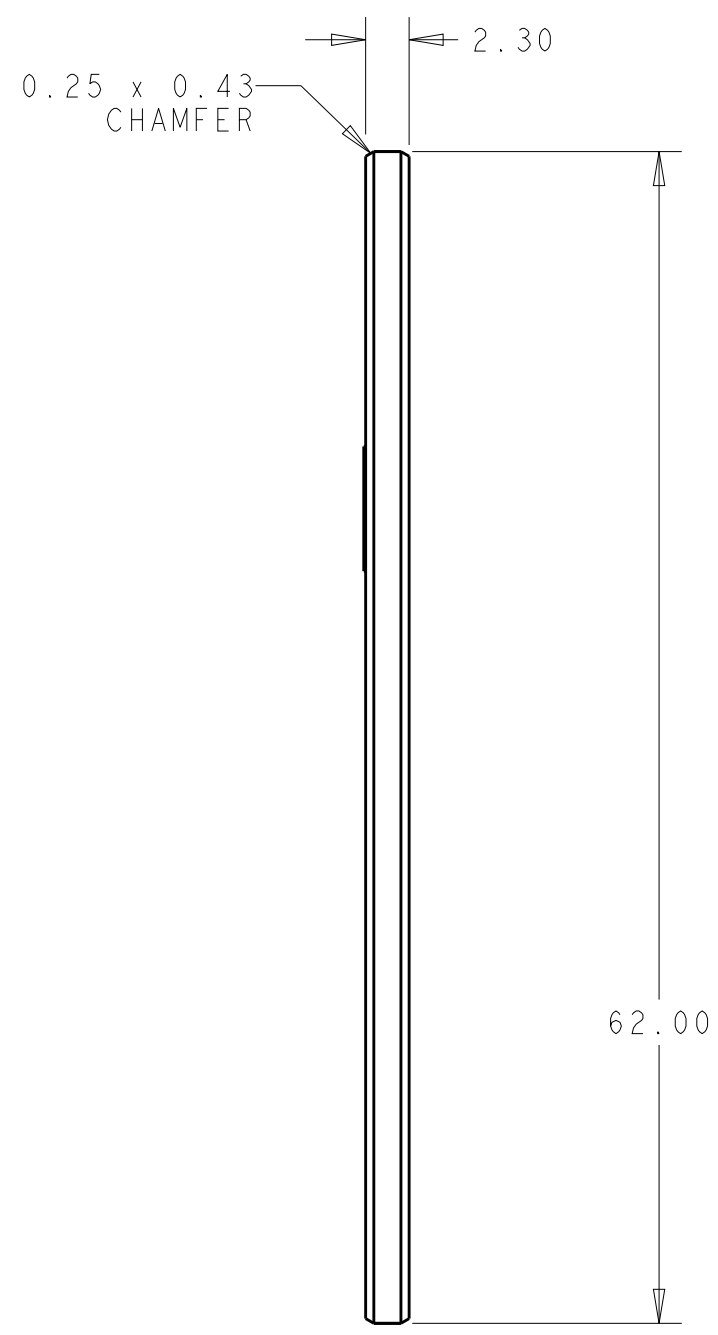
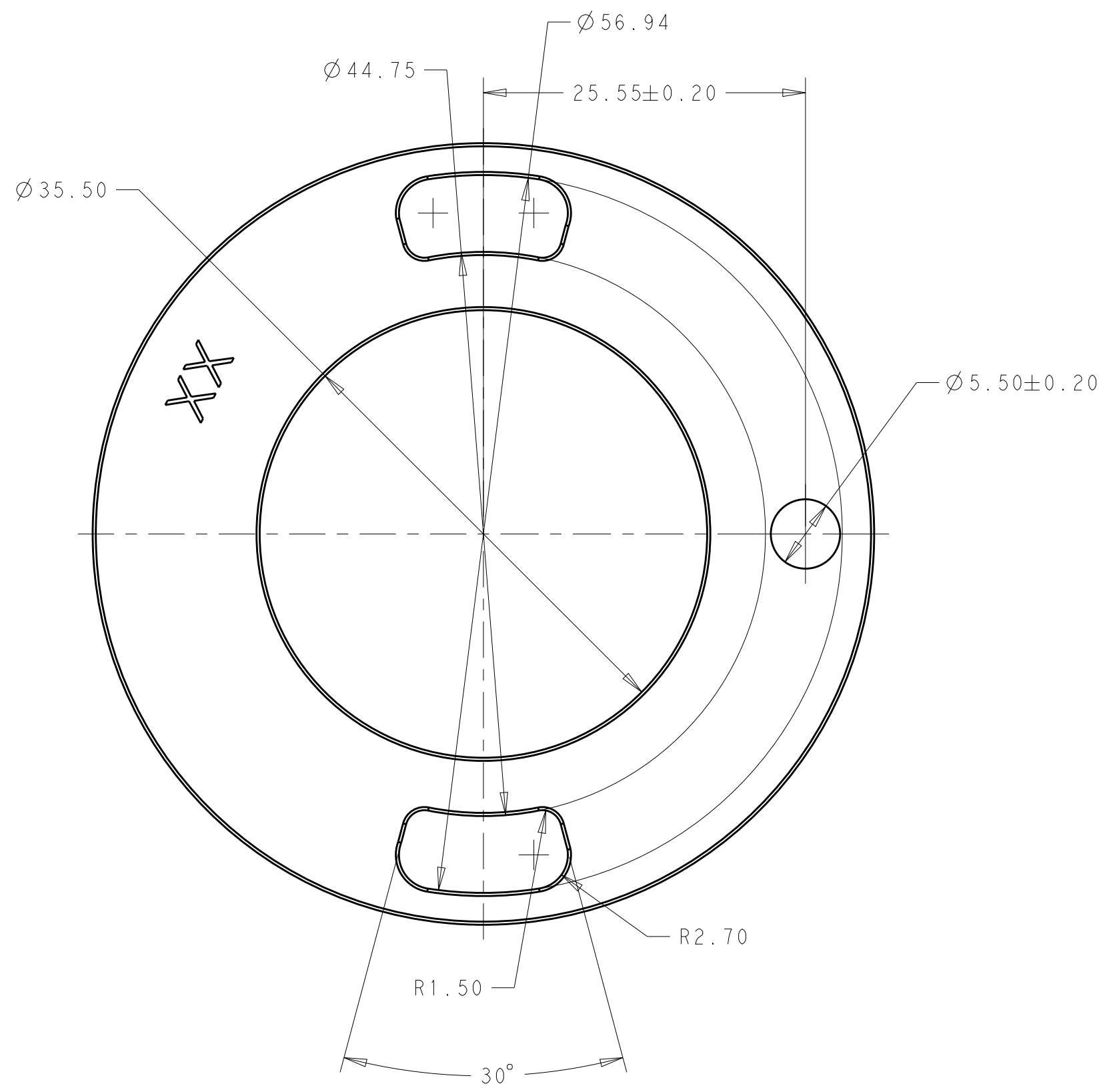


THIS DRAWING IS UNPUBLISHED. RELEASED FOR PUBLICATION 20
 © COPYRIGHT 20 BY - ALL RIGHTS RESERVED.

REVISIONS				
P	LTR	DESCRIPTION	DATE	APVD
1		NEW DRAWING	16JUN2016	JS MM
2		ADD 5.5 HOLE	26JUL2016	MM MM
3		REMOVE PRELIM NOTE	06JUL2017	MM MM
A		ECR-18-016627	23OCT2018	SR DD



NOTES:
 1 MATERIAL: LIQUID SILICONE RUBBER, DUROMETER 40 SHORE A COLOR: BLACK
 2. TOLERANCES PER RMA-A1-F2

2213847-1
 PART NO.

THIS DRAWING IS A CONTROLLED DOCUMENT.		DWN J. SHAFFER 16 JUN 2016	TE Connectivity															
		CHK M. MOSTOLLER 16 JUN 2016																
DIMENSIONS: mm		TOLERANCES UNLESS OTHERWISE SPECIFIED:		NAME GASKET, SEALING, ROTATING DIMMING RECEPTACLE														
<table border="1"> <tr><td>0 PLC</td><td>±</td></tr> <tr><td>1 PLC</td><td>±</td></tr> <tr><td>2 PLC</td><td>±</td></tr> <tr><td>3 PLC</td><td>±</td></tr> <tr><td>4 PLC</td><td>±</td></tr> <tr><td>ANGLES</td><td>±</td></tr> <tr><td>FINISH</td><td>±</td></tr> </table>		0 PLC	±	1 PLC	±	2 PLC	±	3 PLC	±	4 PLC	±	ANGLES	±	FINISH	±	PRODUCT SPEC 108-32059	SIZE A2	CAGE CODE -
0 PLC	±																	
1 PLC	±																	
2 PLC	±																	
3 PLC	±																	
4 PLC	±																	
ANGLES	±																	
FINISH	±																	
MATERIAL 1		APPLICATION SPEC 114-133078	DRAWING NO. G-2213847	RESTRICTED TO -														
		WEIGHT -	SCALE 1:1 SHEET 1 OF 1 REV A															
		CUSTOMER DRAWING																