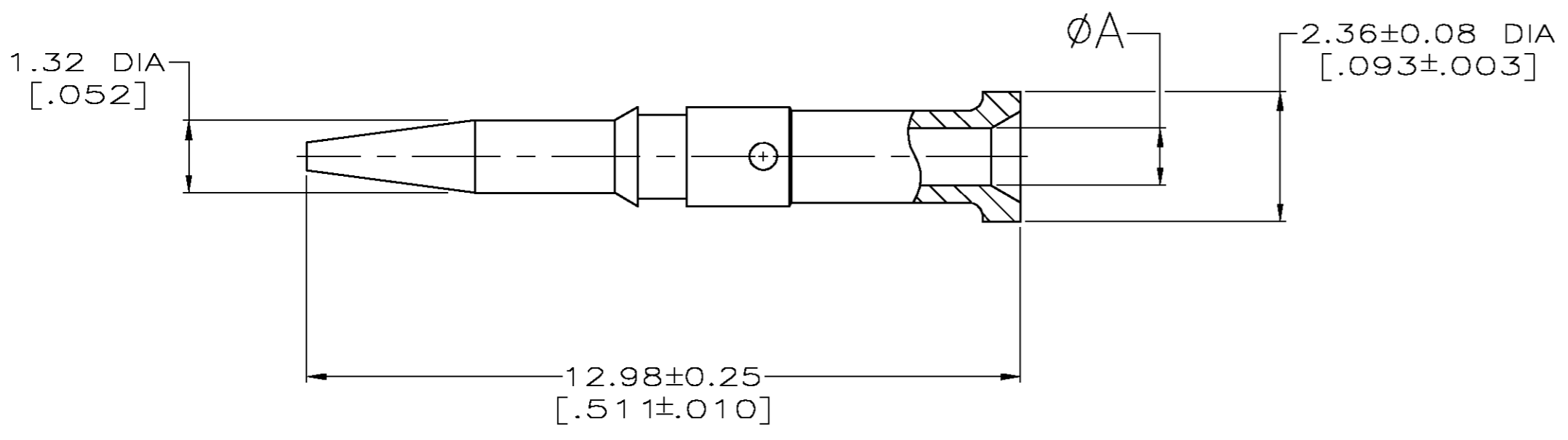


THIS DRAWING IS UNPUBLISHED. RELEASED FOR PUBLICATION
 © COPYRIGHT BY TYCO ELECTRONICS CORPORATION. ALL RIGHTS RESERVED.

LOC	DIST	REVISIONS					
		P	LTR	DESCRIPTION	DATE	DWN	APVD
AJ	16		H	REV PER OS14-0336-04	09-28-04	JDP	JL



- 1 TIN-LEAD PL PER ASTM-B-545
- 2 GOLD PL PER MIL-G-45204
- 3 SILVER PL PER QQ-S-365
- 4 TIN PL PER ASTM-B-545 WITH SUPPLEMENTAL ANTI-FRETTING LUBRICANT.
- 5. BRASS PER ASTM B-16

4	0.38 [.015]	9-221607-4
4	0.61 [.024]	9-221607-3
4	0.79 [.031]	9-221607-2
4	0.79 [.031]	9-221607-1
4	0.99 [.039]	9-221607-0
2	1.19 [.047]	2-221607-8
3	0.38 [.015]	2-221607-6
2	0.38 [.015]	2-221607-5
1	0.38 [.015]	2-221607-4
2	0.61 [.024]	2-221607-2
3	0.61 [.024]	2-221607-1
1	0.61 [.024]	2-221607-0
3	1.12 [.044]	1-221607-8
1	1.12 [.044]	1-221607-7
2	1.12 [.044]	1-221607-6
2	0.79 [.031]	1-221607-4
3	0.79 [.031]	221607-8
3	0.99 [.039]	221607-7
2	0.79 [.031]	221607-6
2	0.99 [.039]	221607-5
1	0.79 [.031]	221607-4
1	0.99 [.039]	221607-2

OBSOLETE

FINISH ØA PART #

THIS DRAWING IS A CONTROLLED DOCUMENT.		DWN M. SNEED 5-10-90	Tyco Electronics Corporation Harrisburg, Pa 17105-3608	
DIMENSIONS: INCHES		CHK D. LAMAN 7-6-90		
TOLERANCES UNLESS OTHERWISE SPECIFIED:		APVD -	NAME CONTACT, MALE BNC	
0 PLC ± - 1 PLC ± - 2 PLC ± - 3 PLC ± .002 4 PLC ± - ANGLES ± -		PRODUCT SPEC -	SIZE A2	
MATERIAL SEE TABLE		APPLICATION SPEC -	CAGE CODE 00779	DRAWING NO C=221607
		WEIGHT -	SCALE 10:1	SHEET 1 OF 1
		CUSTOMER DRAWING	REV H	RESTRICTED TO -