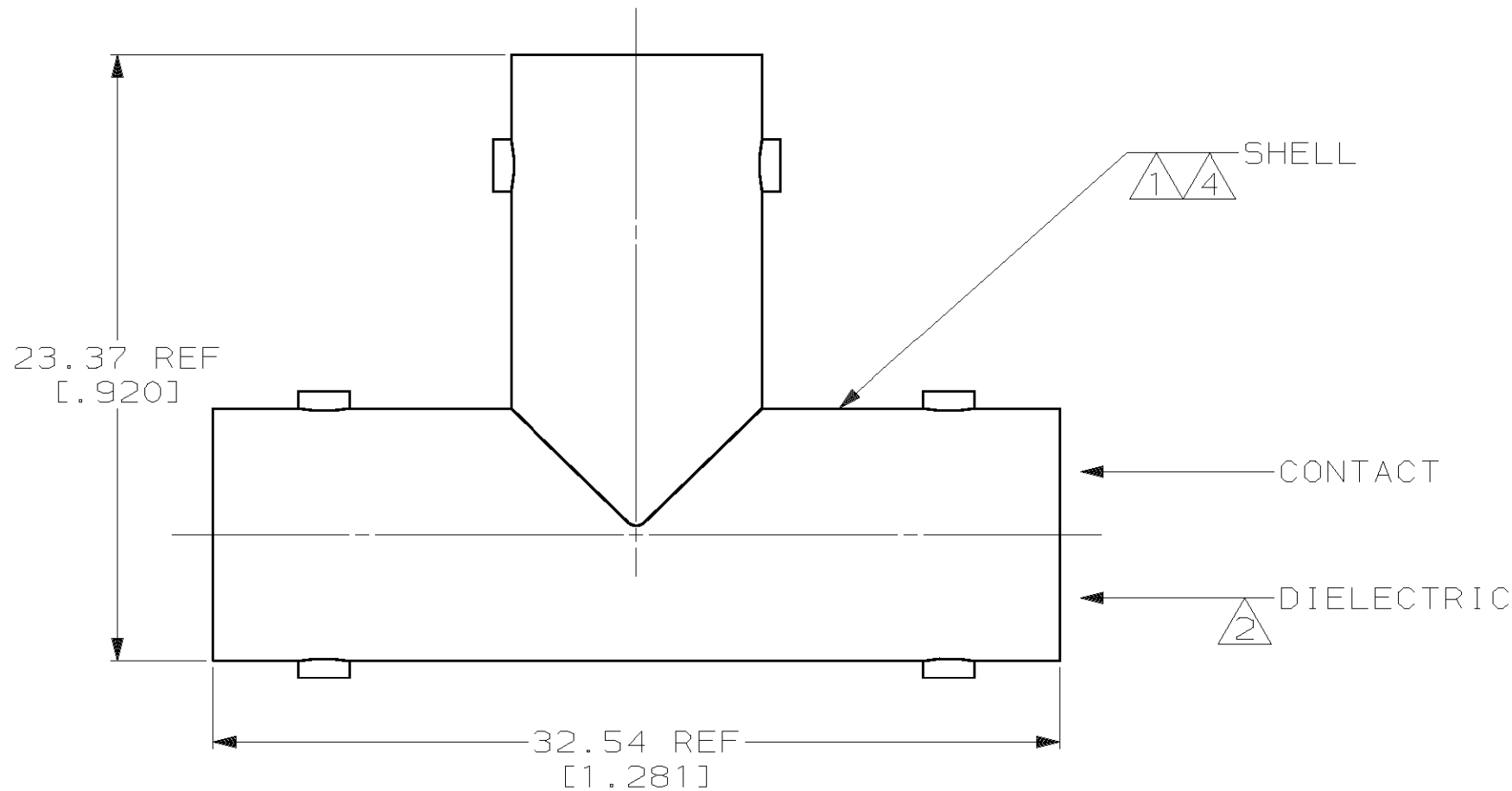


THIS DRAWING IS UNPUBLISHED. RELEASED FOR PUBLICATION, 19 .  
 © COPYRIGHT 19 BY AMP INCORPORATED. ALL INTERNATIONAL RIGHTS RESERVED.

LOC	DIST	P	F	REVISIONS				
AJ	16			ZONE	LTR	DESCRIPTION	DATE	APPD
					D	REV PER 0U20-0343-00	09JAN01	M0



- 1 BRASS PER ASTM-B-16
- 2 PTFE PER MIL-P-19468
- 3 GOLD PLATED PER MIL-G-45204
- 4 NICKEL PLATED PER QQ-N-290
- 5 SILVER PLATED PER QQ-S-365
- 6. PRODUCT MUST BE INTERMATABLE PER MIL-C-39012
- 7 SAME AS 221988-1 EXCEPT PACKAGED 10 PER BOX

SUPERSEDED BY 221988-1	7	5	221988-5
SUPERSEDED BY 221988-1		3	221988-3
		5	221988-1
CONTACT		PART NUMBER	
FINISH			

THIS DRAWING IS A CONTROLLED DOCUMENT FOR AMP INCORPORATED. IT IS SUBJECT TO CHANGE AND THE CONTROLLING ENGINEERING ORGANIZATION SHOULD BE CONTACTED FOR THE LATEST REVISION.

DO NOT SCALE PRINT. UNLESS SPECIFIED DIMENSIONS IN mm [INCHES] TOLERANCES ON: 2 PLC DEC ± - 3 PLC DEC ± - ANGLES ± -		DR 6-24-92 M.E. COWHER	PART NO	
MATERIAL	1 2	CHK 6-29-92 M. PHILLIPS	AMP AMP Incorporated Harrisburg, PA 17105-3608	
FINISH	3 4 5	APPD 6-29-92 M. PHILLIPS	NAME T-ADAPTOR, JACK, BNC	
		APPD 7-2-92 M.E. COWHER	SIZE B	CAGE CODE 00779
		PRODUCT SPEC -	DRAWING NO C-221988	
		APPLICATION SPEC -	SCALE 4:1	SHEET 1 OF 1
		WEIGHT -		