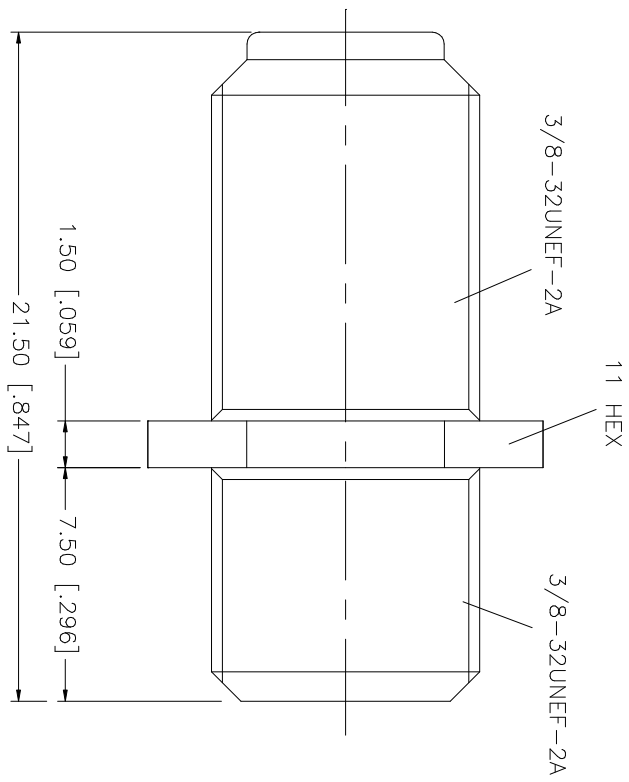
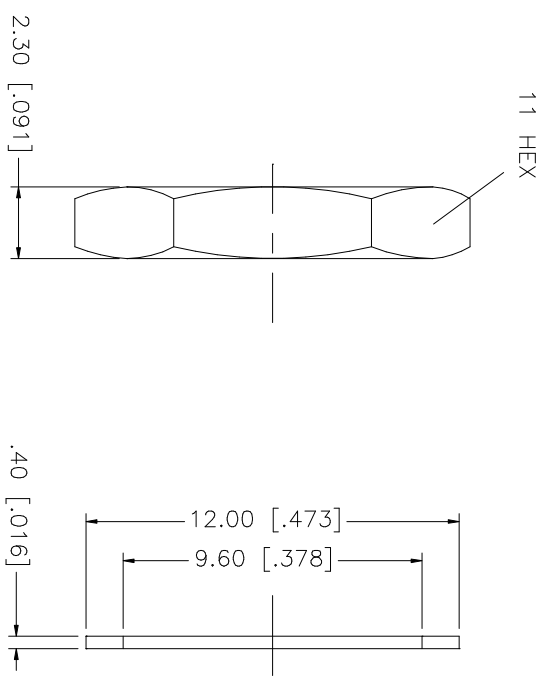


REV.	DATE	DESCRIPTION
A	04/27/99	CHANGE PLATING SPEC. / UPDATE DWG.
B	05/01/04	UPDATE DRAWING FORMAT
C	02/21/06	MODIFY BODY DIMENSIONS



QTY	FINISH	MATERIAL	DESCRIPTION
1	NICKEL	BRASS	HEX NUT
1	NICKEL	BRASS	WASHER
1	BRIGHT TIN	BRASS	CONTACT PIN
1	NATURAL	P.P.	INSULATOR
1	NICKEL	DIECAST	BODY
			DESCRIPTION

APPROVALS	DATE
DRAWN G.R.S.	02/21/06
CHECKED	
ISSUED	
SHEET 1 OF 1	

PART DESCRIPTION	PART NO.
F CONNECTOR	222121

UNLESS OTHERWISE SPECIFIED DIMENSIONS ARE IN MILLIMETERS DIMENSIONS IN [] ARE IN INCHES AND FOR CUSTOMER REFERENCE ONLY.
UNLESS OTHERWISE SPECIFIED TOLERANCES FOR MILLIMETERS ARE: 0.5 - 8mm ± 0.20mm 8 - 30mm ± 0.40mm 30 - 120mm ± 0.50mm
UNLESS OTHERWISE SPECIFIED TOLERANCES FOR INCHES ARE: .020 - .315 = ± 0.007" .315 - 1.180 = ± 0.015" 1.180 - 4.724 = ± 0.020"
DO NOT SCALE DRAWING

CAD FILE C:/222/222121DWG	DWG. NO. 222121.DWG	REV. C	SIZE A	SCALE NA
------------------------------	------------------------	-----------	-----------	-------------