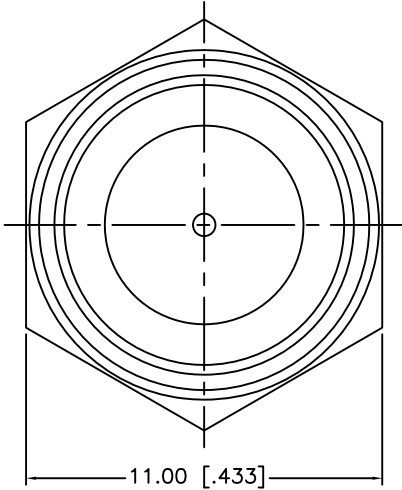
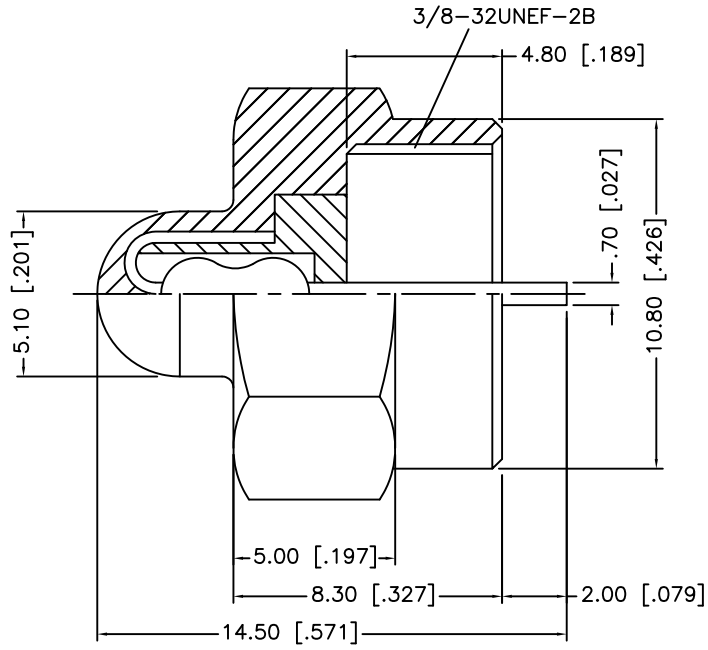


REV.	DATE	ECR#	DESCRIPTION
A	04/09/03	-----	UPDATE PART DESCRIPTION
B	07/29/06	-----	REVISE CONTACT PIN PLATING TO NICKEL
C	06/19/14	2759	INSULATOR MATERIAL WAS TEFLON



NOTES:

1. RESISTOR: 75ohms - 1/8 WATT 1%
2. FREQUENCY: 0 - 3 Ghz
3. RETURN LOSS: 30 dB AT 1 Ghz

8				<small>UNLESS OTHERWISE SPECIFIED DIMENSIONS ARE IN MILLIMETERS. DIMENSIONS IN [] ARE IN INCHES AND FOR CUSTOMER REFERENCE ONLY.</small> <small>UNLESS OTHERWISE SPECIFIED TOLERANCES FOR MILLIMETERS ARE:</small> 0.5 - 8mm ± 0.20mm 8 - 30mm ± 0.40mm 30 - 120mm ± 0.50mm <small>UNLESS OTHERWISE SPECIFIED TOLERANCES FOR INCHES ARE:</small> .020 - .315 = ± 0.007" .315 - 1.180 = ± 0.015" 1.180 - 4.724 = ± 0.020"	APPROVALS	DATE	<h1 style="color: blue;">Amphenol Connex</h1>				
7					DRAWN	G.R.S.					07/29/06
6					CHECKED			PART DESCRIPTION F MALE TERMINATOR			
5					ISSUED						
4							PART NO. 222154				
3	INSULATOR	DELRIN	NATURAL	1	SHEET	1 OF 1					
2	CONTACT PIN	STEEL	NICKEL	1	CAD FILE	C:/222/222154.DWG	DWG. NO.	222154.DWG	REV. C	SIZE A	SCALE NA
1	HOUSING/BODY	DIECAST	NICKEL	1							
	DESCRIPTION	MATERIAL	FINISH	QTY	DO NOT SCALE DRAWING						