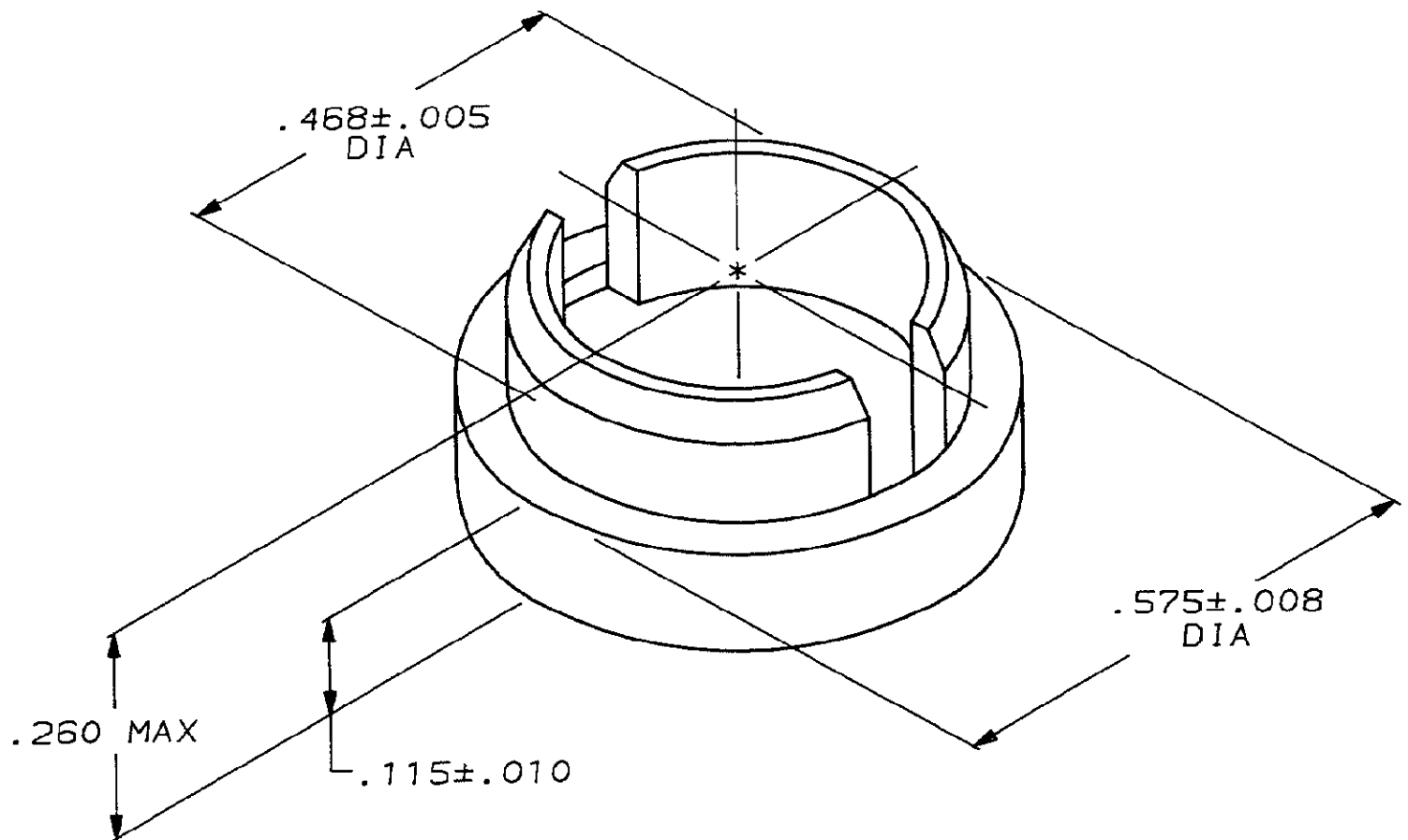


DRAWING MADE IN THIRD ANGLE PROJECTION

THIS DRAWING IS UNPUBLISHED. RELEASED FOR PUBLICATION .19
 © COPYRIGHT 19 BY AMP INCORPORATED, HARRISBURG, PA. ALL INTERNATIONAL RIGHTS RESERVED. AMP PRODUCTS MAY BE COVERED BY U.S. AND FOREIGN PATENTS AND/OR PATENTS PENDING.

MOD	LOC	DIST	P	F	ZONE	LTR	DESCRIPTION	DATE	APPROVED
3	AJ	16	✓	✓		0	PR 86-3347-032	3-2-87	MS/DH
			✓	✓		A	REV PER AJ-2604	3-23-87	TS/REC
						B	REV PER AJ-2776		



1. RECOMMENDED PANEL CUTOUT - $.485 \pm .003$ DIA.
2. $.125$ MAX PANEL THICKNESS.

222163-1
 PART NO

UNLESS OTHERWISE SPECIFIED DIMENSIONS ARE IN INCHES TOLERANCES ON: 2 PL DEC ± _____ 3 PL DEC ± _____ ANGLES ± _____	DR M. SNEED 3-2-87	AMP AMP INCORPORATED Harrisburg, Pa. 17105
	CHK D.S. HEIDE 3-6-87	
MATERIAL POLYPROPYLENE GENERAL PURPOSE	APPD R.E. CAPP 3-6-87	NAME BUSHING, INSULATING
	APPD M. SNEED 3-9-87	SIZE FSCM NO DRAWING NO B 00779 222163
FINISH _____	PRODUCT SPEC _____	SCALE 5:1 SHEET 1 OF 1
	APPLICATION SPEC _____	
	WEIGHT _____	