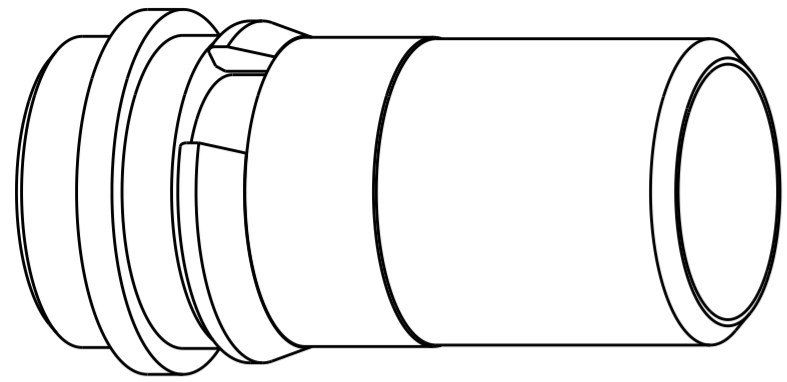
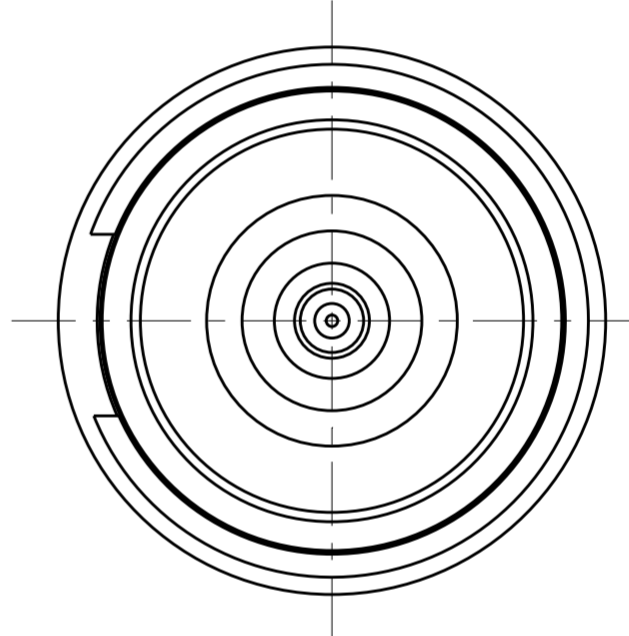
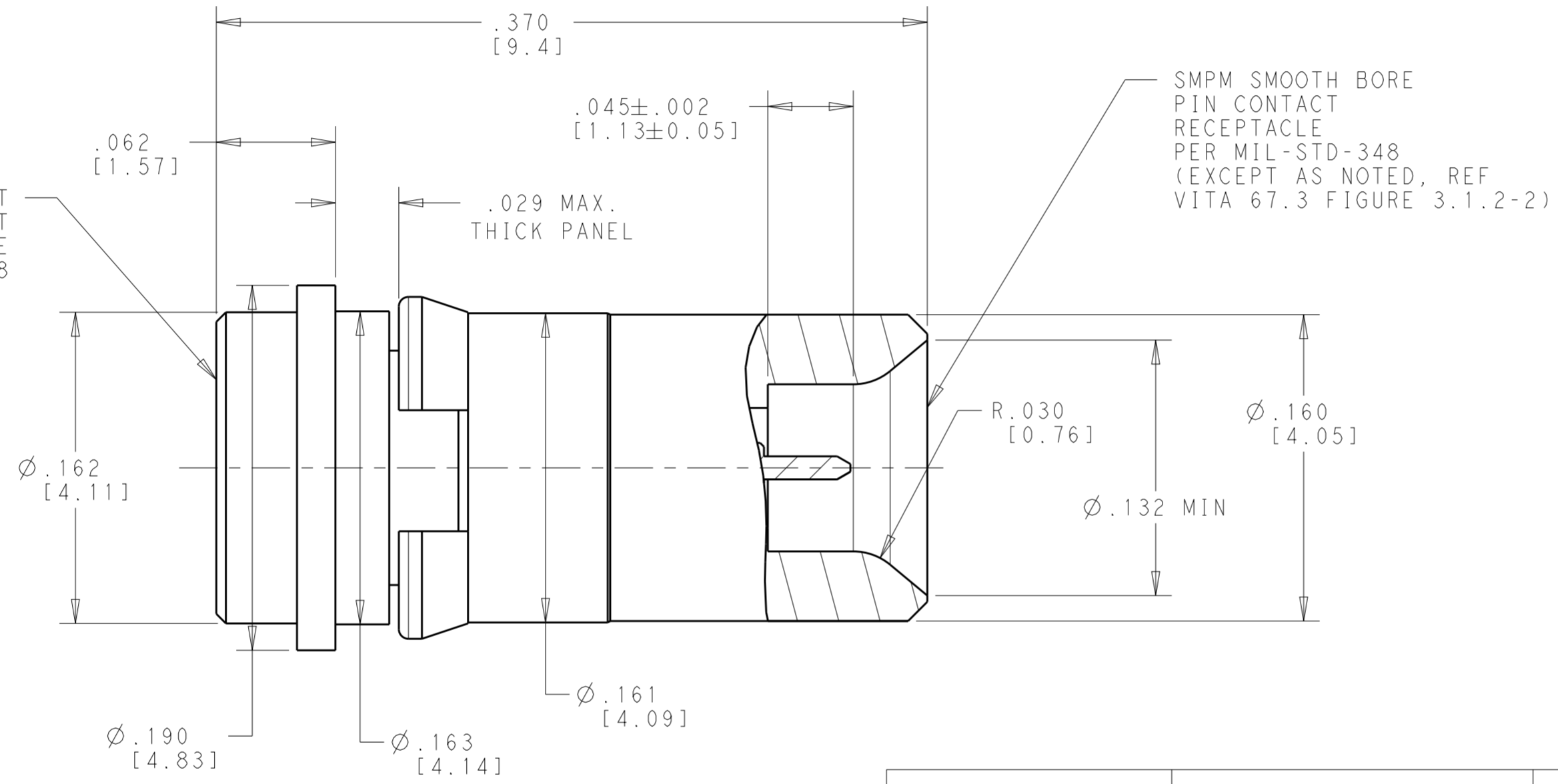


THIS DRAWING IS UNPUBLISHED. RELEASED FOR PUBLICATION 20
 © COPYRIGHT 20 BY - ALL RIGHTS RESERVED.

REVISIONS				
P	LTR	DESCRIPTION	DATE	APVD
A		RELEASED PER ECO 17-012498	8-24-17	CT DW



SCALE 10:1



ELECTRICAL	MECHANICAL	ENVIRONMENTAL
Nominal Impedance: (Ohms): 50±2 Freq. Range (GHz): DC to 40.0 SWR (S11) 0.5 - 18.0 GHz: 1.10:1 18.0 - 26.0 GHz: 1.15:1 26.0 - 40.0 GHz: 1.25:1 Transmission Loss (S21) .10 dB x SQRT(f)dB (Where f = GHz) DWV (VRMS Min.) @ Sea Level: 325 Contact Resistance (Milliohms Max.) Center Contact: 6.0 Outer Contact: 2.0 Insulation Resistance (Megohms Min.): 5,000	Interface Dimensions SMPM Smooth Bore & Full Detent per MIL-STD-348 (Except as Noted) Force to Engage (Typical) Full Detent: 4.5 Lbf Smoothbore: 2.5 Lbf Force to Disengage (Typical) Full Detent: 6.5 Lbf Smoothbore: 1.5 Lbf Center Contact Retention: 1.5 Axial (Lbf Min.)	Temperature Rating: -65°C to 165°C Vibration: EIA-364-28, Test Cond. III Mechanical Shock: EIA-364-27, Method G Durability - EIA-364-9 SMPM Full Detent: 100 Cycles Min. SMPM Smoothbore: 500 Cycles Min. Humidity/Temperature Cycling: EIA-364-31, Method III

COMPONENT	MATERIAL	FINISH
SMPM PLUG BODIES	BERYLLIUM COPPER PER ASTM B 196 (TH04)	.00005 MIN. THICK GOLD PLATE PER ASTM B 488 OVER .00010 MIN. THICK NICKEL PLATE, PER SAE-AMS-QQ-N-290
CENTER CONTACTS	BERYLLIUM COPPER PER ASTM B 196 (TH04)	.00005 MIN. THICK GOLD PLATE PER ASTM B 488 OVER .00010 MIN. THICK NICKEL PLATE, PER SAE-AMS-QQ-N-290
INSULATORS	PTFE FLUOROCARBON PER ASTM D 1710	-----
RETAINING RING	BERYLLIUM COPPER PER ASTM B 196 (TD04)	.00010 MIN. THICK NICKEL PLATE, PER AMS-QQ-N-290

2221664-1
PART NUMBER

THIS DRAWING IS A CONTROLLED DOCUMENT.

DIMENSIONS: INCHES [mm]	TOLERANCES UNLESS OTHERWISE SPECIFIED: 0 PLC ±.1 1 PLC ±.01 2 PLC ±.001 3 PLC ±.0005 4 PLC ANGLES ±1.0	DWN: S. T. Morley 22AUG2013 CHK: S. T. Morley 22AUG2013 APVD: S. T. Morley 22AUG2013	TE Connectivity
MATERIAL: SEE TABLE	FINISH: SEE TABLE	NAME: SMPM, STRAIGHT ADAPTER PANEL MOUNT, REAR ENTRY (SNAP-IN) SMOOTH BORE (M)-FULL DETENT (M) SIZE: A2 CAGE CODE: - DRAWING NO: 2221664-C RESTRICTED TO: - WEIGHT: 0.97g CUSTOMER DRAWING: - SCALE: 15:1 SHEET 1 OF 1 REV A	