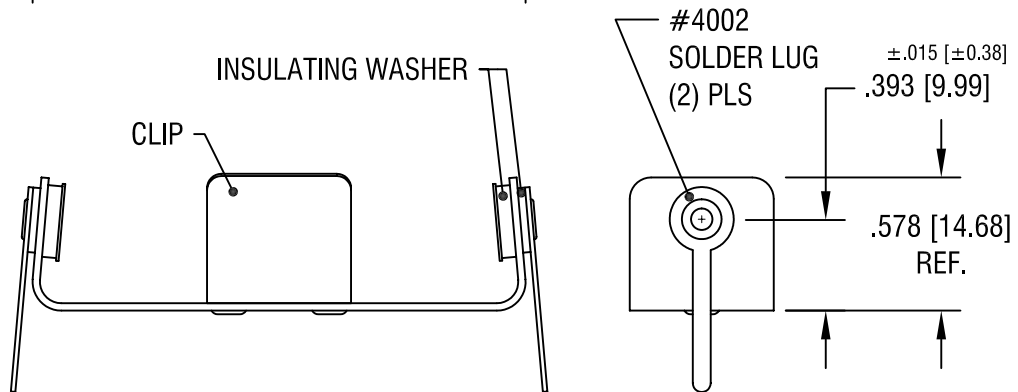
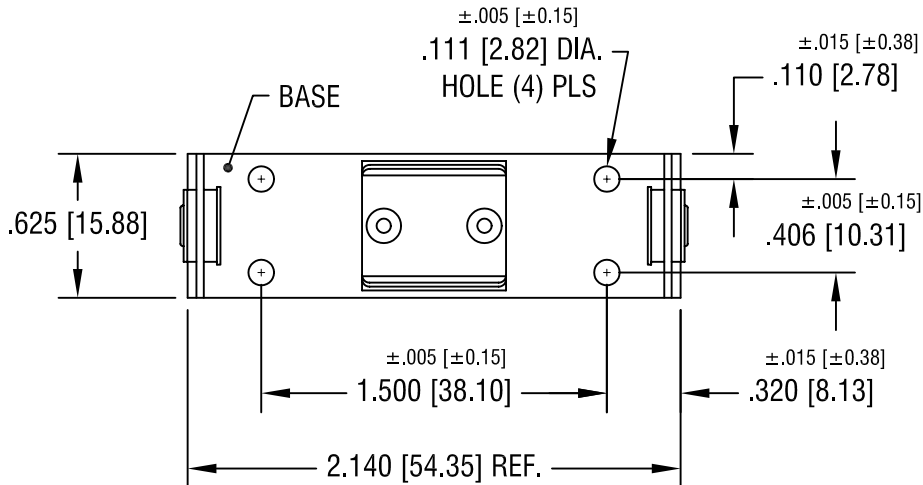
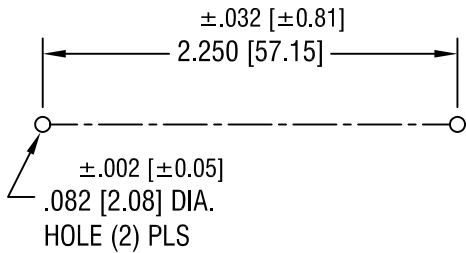


THIS DOCUMENT IS THE PROPERTY OF  
KEYSTONE ELECTRONICS CORP. AND  
SHALL NOT BE REPRODUCED, DISTRIBUTED  
OR USED AS A BASIS FOR MANUFACTURE  
WITHOUT PRIOR WRITTEN PERMISSION  
FROM KEYSTONE ELECTRONICS CORP.

RECOMMENDED SPACING FOR PC LUGS



NOTES:

- 1. BASE: MAT'L - .032 [.81] TH'K ALUMINUM
- CLIP: MAT'L - .020 [.50] TH'K ALUMINUM
- SOLDER LUG: MAT'L - BRASS
- FINISH - TIN PLATE

**KEYSTONE ELECTRONICS CORP.**

ASTORIA, N.Y. 11105-2017

PART NAME

BATTERY HOLDER (1) 'AA'

MATERIAL

AS NOTED

FINISH

AS NOTED

DRN BY

BOONE

DATE

12.15.81

APPD

LN

SCALE

1.2X

7.22.04

CHANGE AS PER ECN 04-051

A

TOLERANCES

INCH [MM]

CODE

DWG NO.

DECIMAL ±.010 [±0.25]

C

ANGULAR ± 1°  
UNLESS OTHERWISE SPECIFIED

**2222**

DATE

DESCRIPTION

REV.