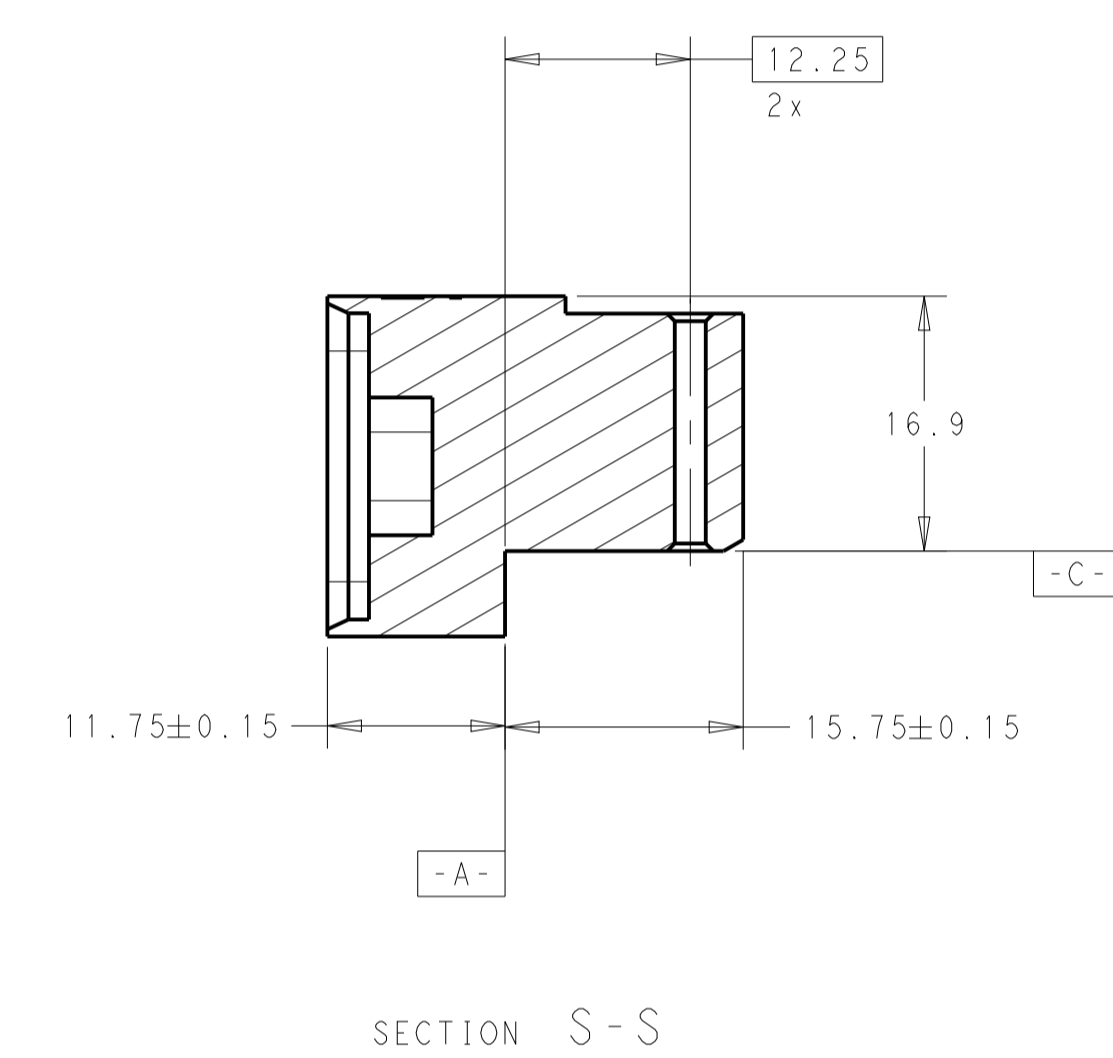
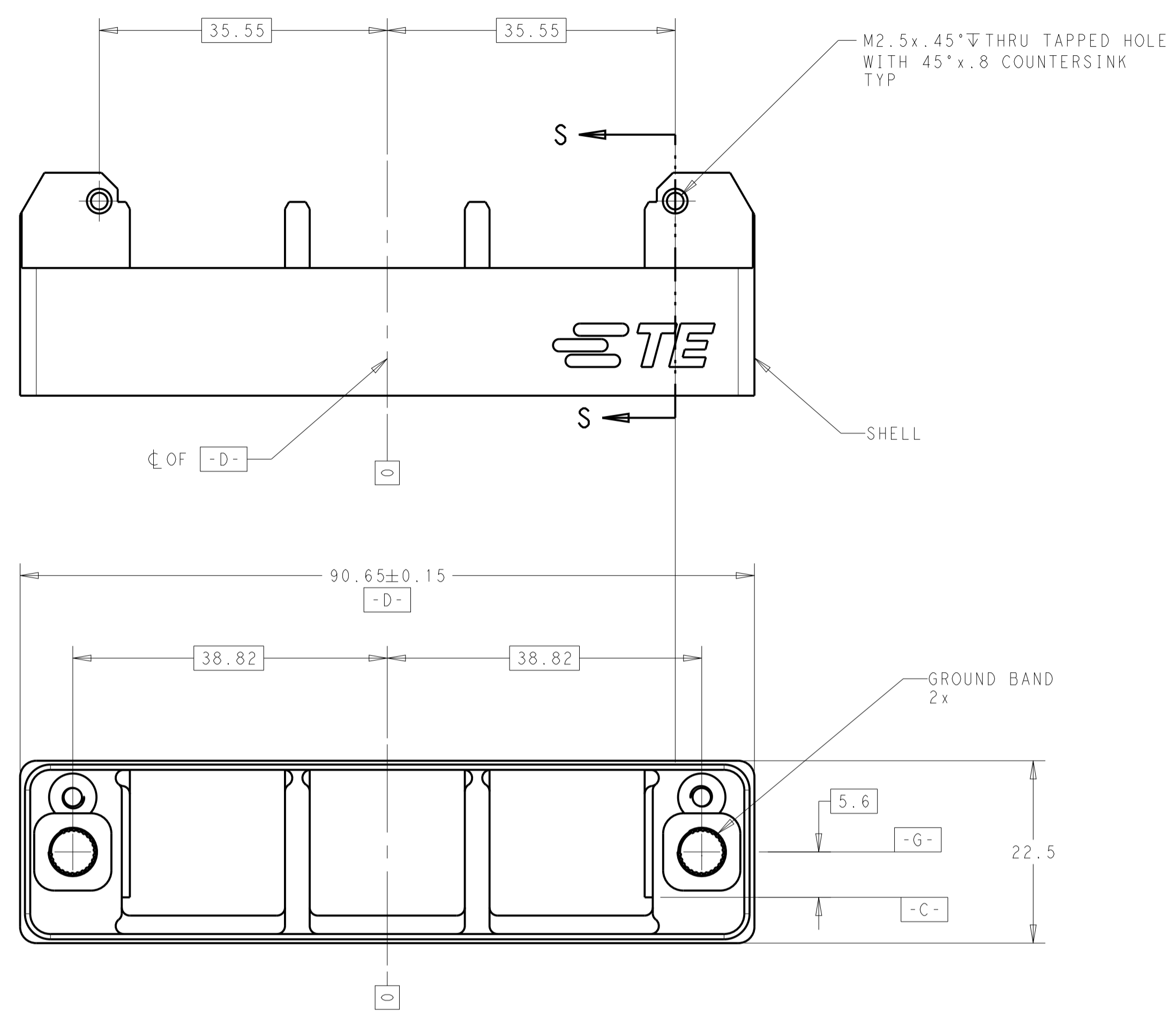
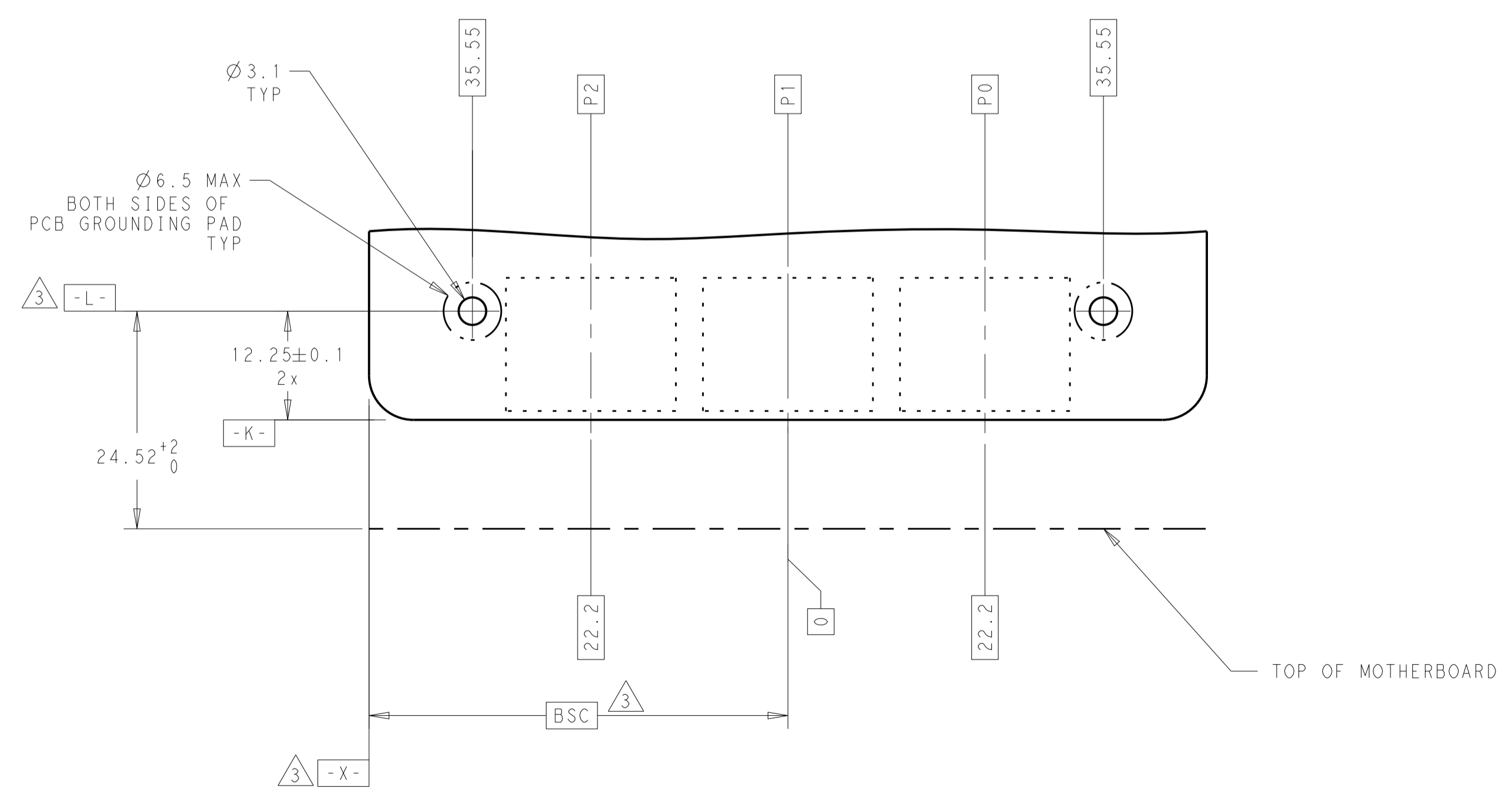


REVISIONS				
P.	LTN	DESCRIPTION	DATE	APPV
A		RELEASED PER ECO 14-016072	11-6-14	CT DH



2226783-1 SHOWN



- 1 MATERIAL:
SHELL: ALUMINUM ALLOY
GROUND BANDS: COPPER ALLOY
- 2 FINISH:
SHELL: TRIVALENT CHROMATE, 96 HOUR SALT SPRAY CAPABLE.
GROUND BANDS: 0.25µm MIN GOLD OVER NICKEL
- 3 DATUMS AND BASIC DIMENSIONS ESTABLISHED BY CUSTOMER.

65.5	4	8	2226783-5
58.8	3	8	2226783-4
66.1	4	9	2226783-3
38.3	2	4	2226783-2
33.9	2	3	2226783-1
APPROX. WEIGHT g	SHELL TO PCB MOUNTING POINTS	# OF BAYS	PART NUMBER

PCB INSERT LOCATIONS

THIS DRAWING IS A CONTROLLED DOCUMENT. DWN D. BELACK 25NOV2013
 CHK K. THACKSTON 11-25-13
 APPV M. McALONIS 11-25-13

STE TE Connectivity

NAME: Fortis Zd LRM, DAUGHTER CARD, RIGHT ANGLE, SHELL ASSEMBLY

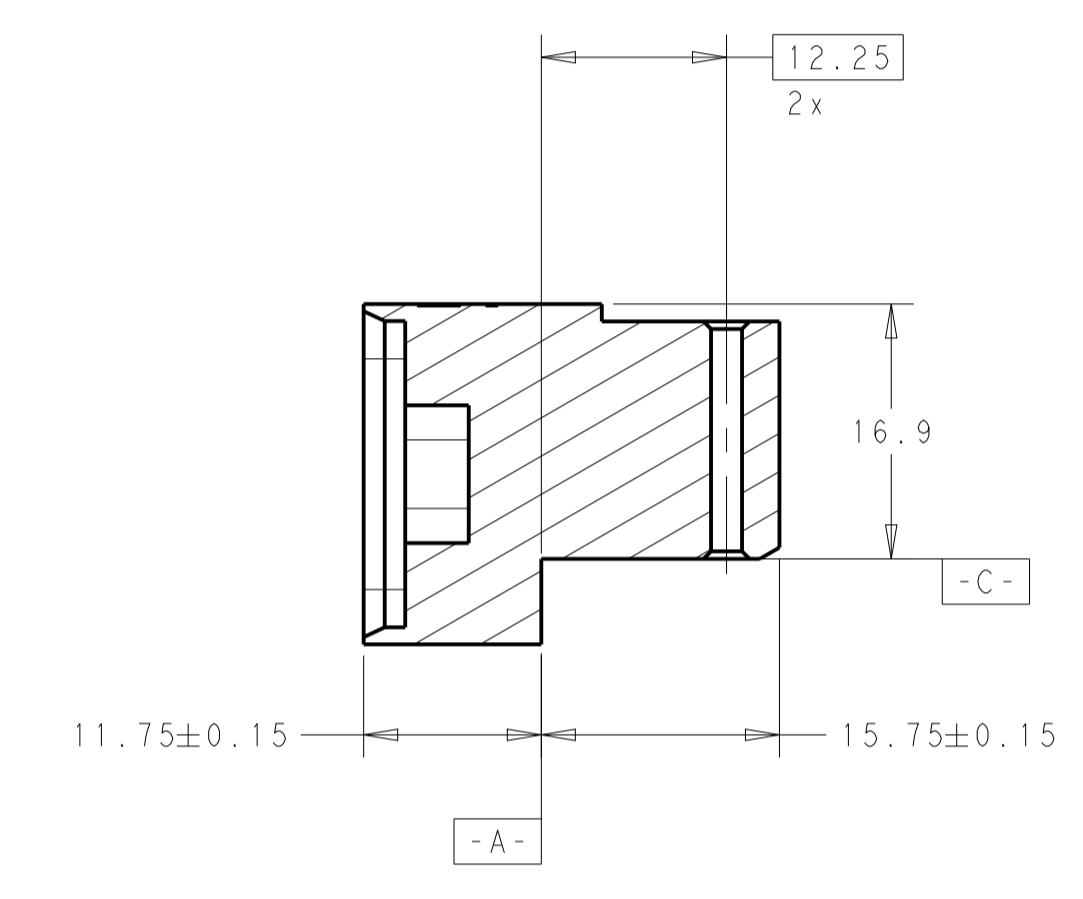
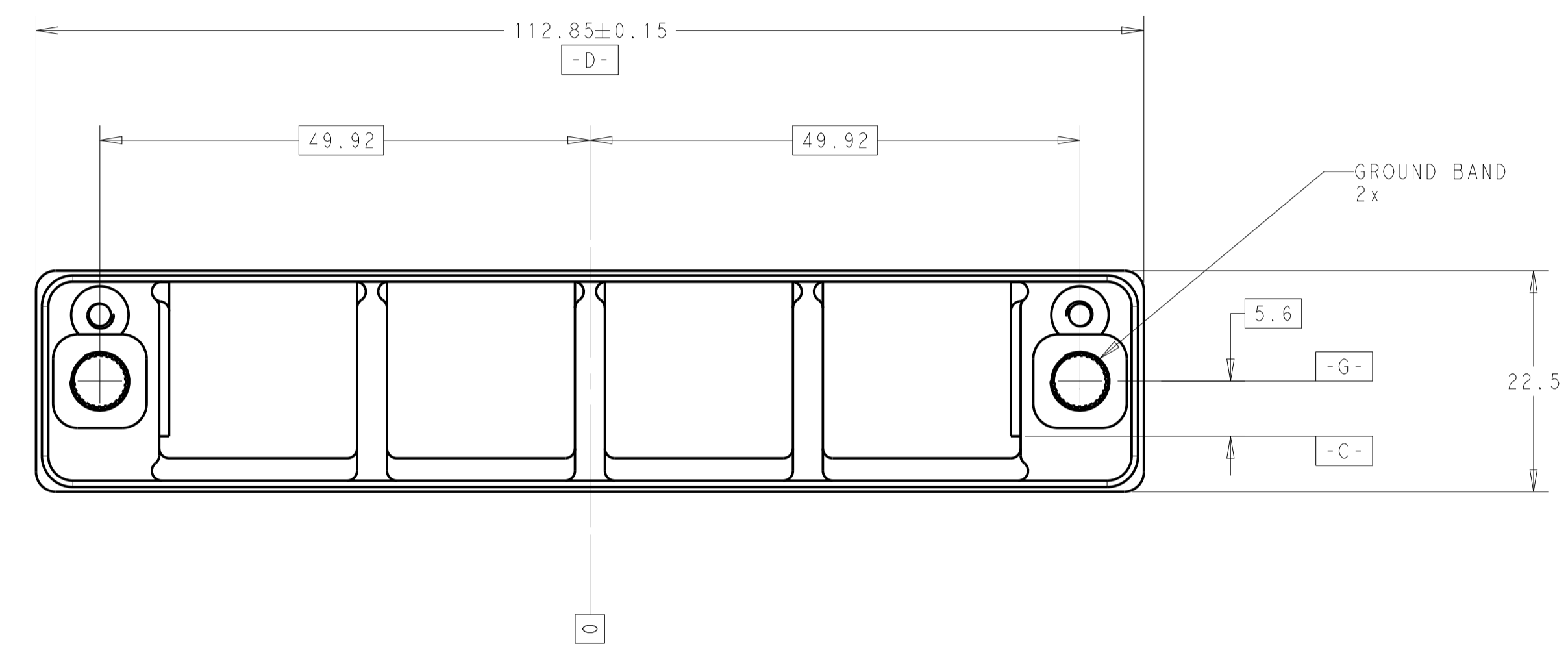
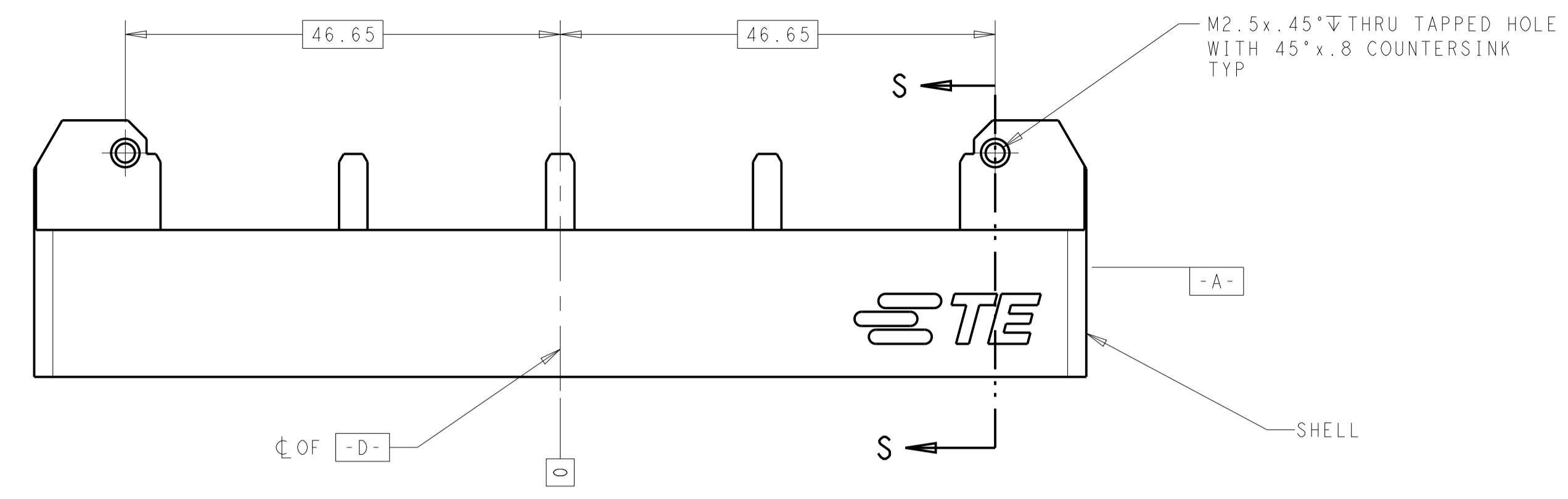
PRODUCT SPEC: 108-2474
 APPLICATION SPEC: 408-10464

MATERIAL: 1
 FINISH: 2

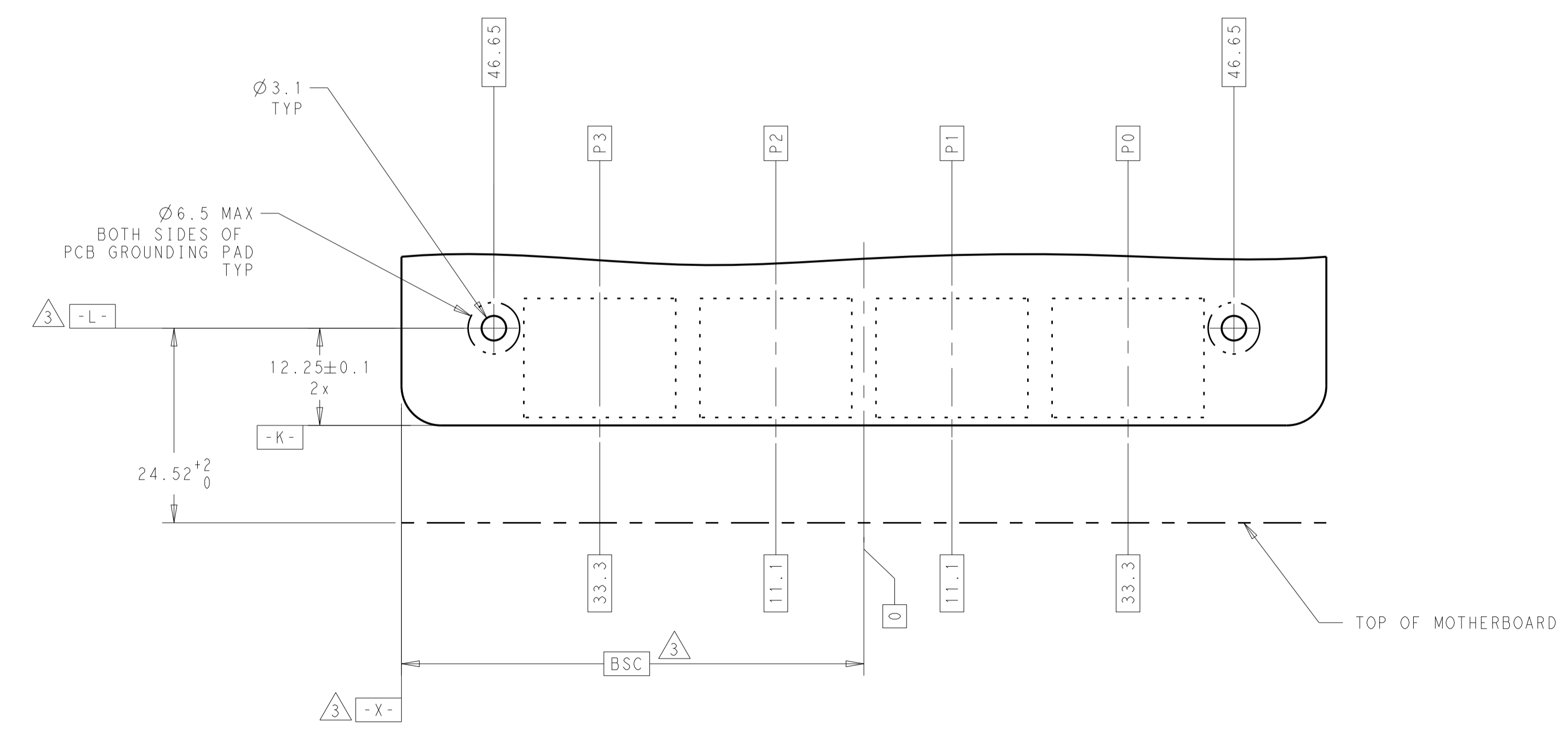
Customer Drawing

SCALE: 2:1 SHEET 1 OF 5 REV A

REVISIONS				
P.	LTN	DESCRIPTION	DATE	APVD
-	SEE SHEET 1			



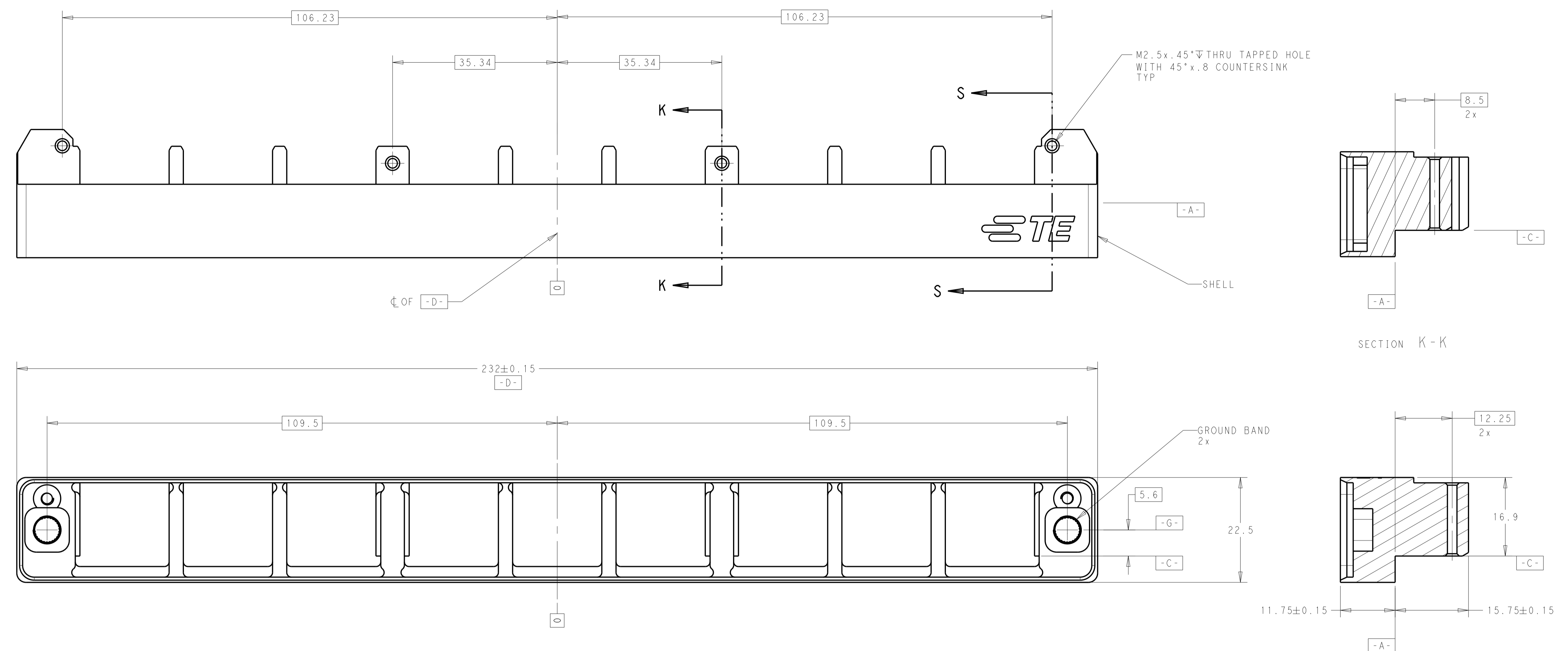
2226783-2 SHOWN



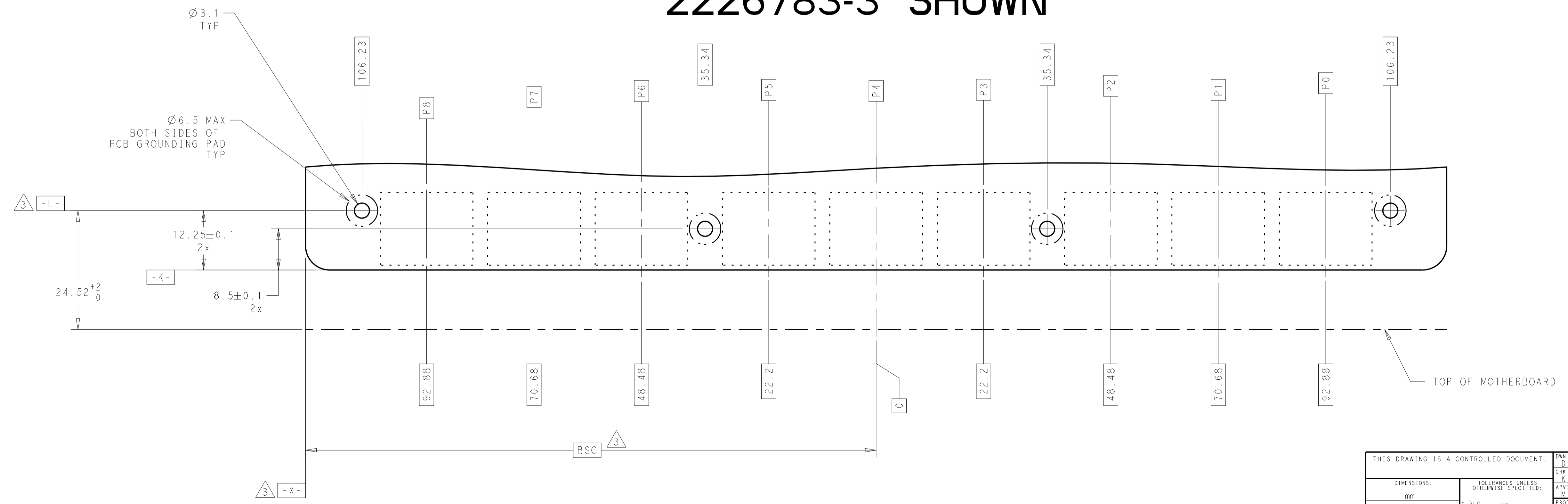
PCB INSERT LOCATIONS

THIS DRAWING IS A CONTROLLED DOCUMENT.		DWN D. BELACK 25NOV2013	
DIMENSIONS: mm		CHK K. THACKSTON 11-25-13	
TOLERANCES UNLESS OTHERWISE SPECIFIED:		APVD M. McALONIS 11-25-13	NAME Fortis Zd LRM, DAUGHTER CARD, RIGHT ANGLE, SHELL ASSEMBLY
0 PLC ±0.13	1 PLC ±0.05	PRODUCT SPEC 108-2474	SIZE A1
2 PLC ±0.05	3 PLC ±0.025	APPLICATION SPEC 408-10464	CAGE CODE -
4 PLC ±0.025	ANGLES ±2°	WEIGHT -	RESTRICTED TO
MATERIAL 1	FINISH 2	Customer Drawing	SCALE 1:1 SHEET 2 OF 5 REV A

REVISIONS				
P.	LTR.	DESCRIPTION	DATE	APP'D.
-	-	SEE SHEET 1	-	-



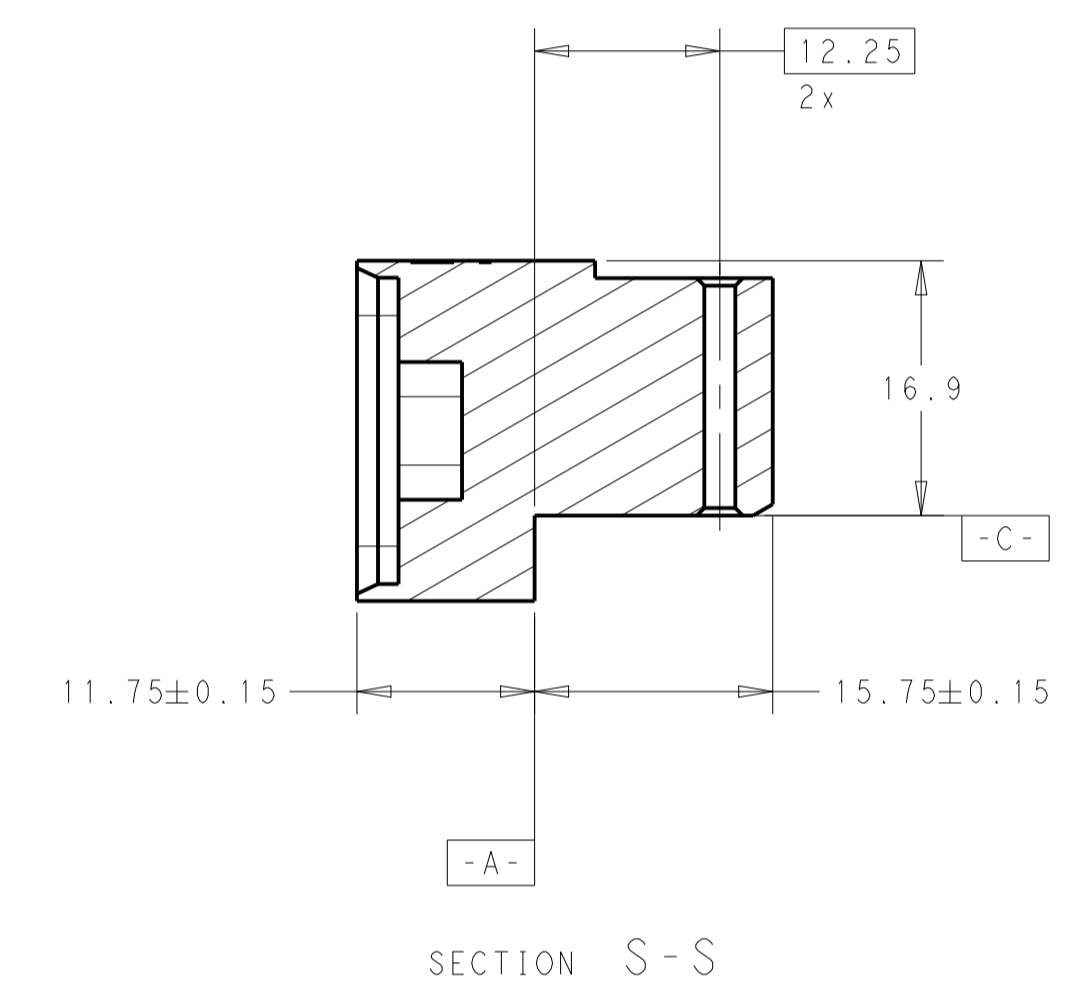
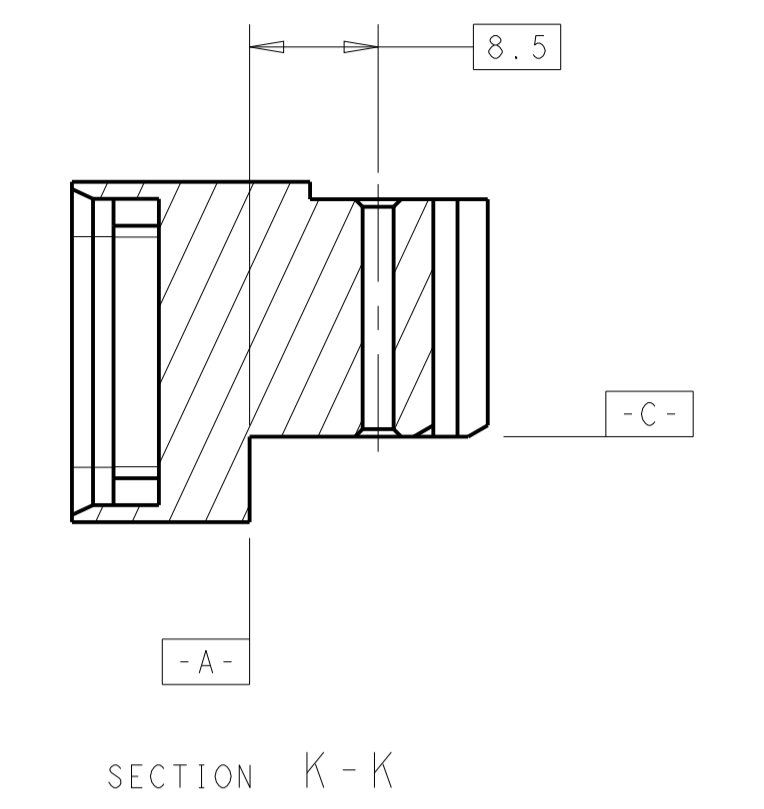
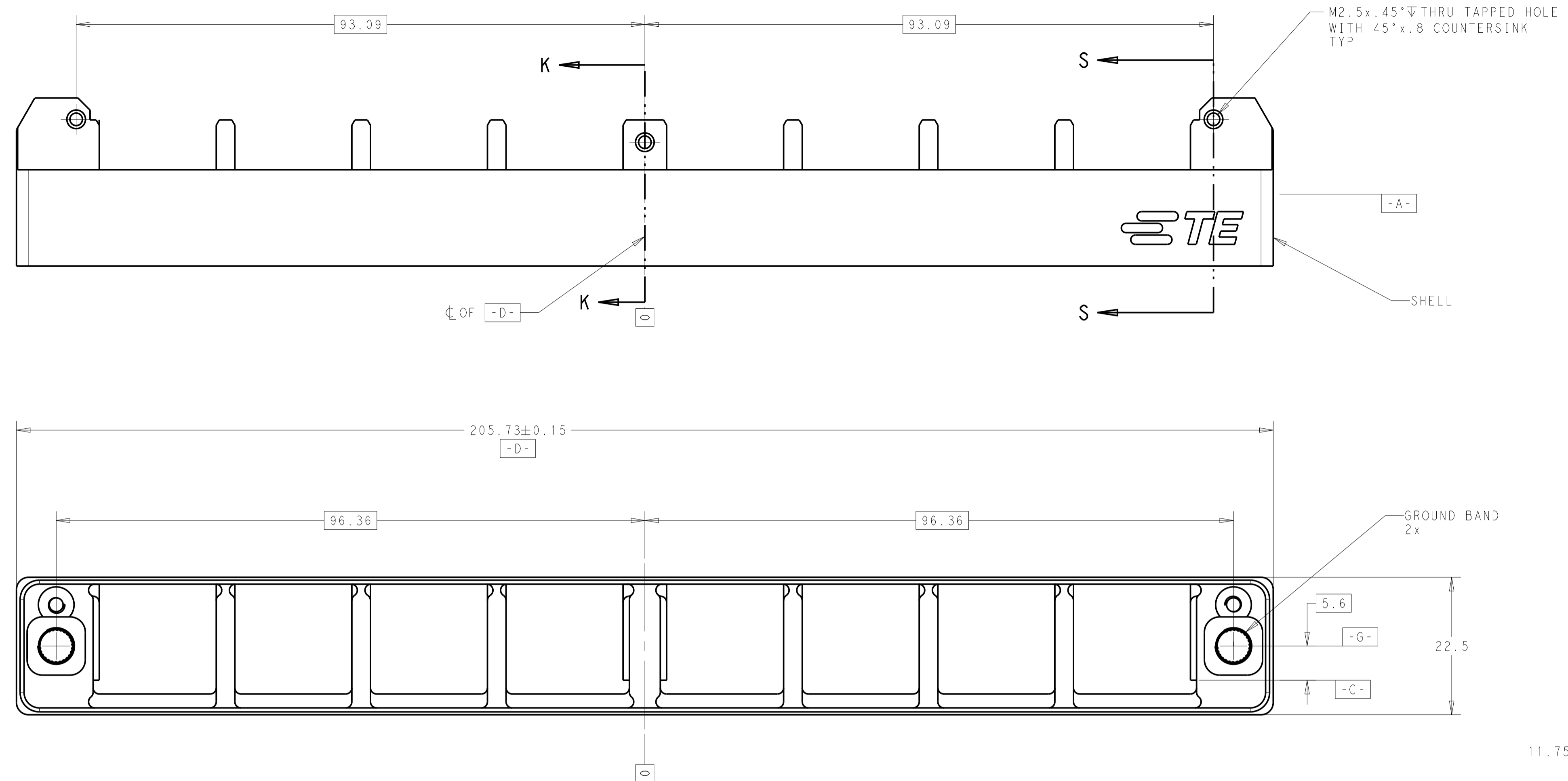
2226783-3 SHOWN



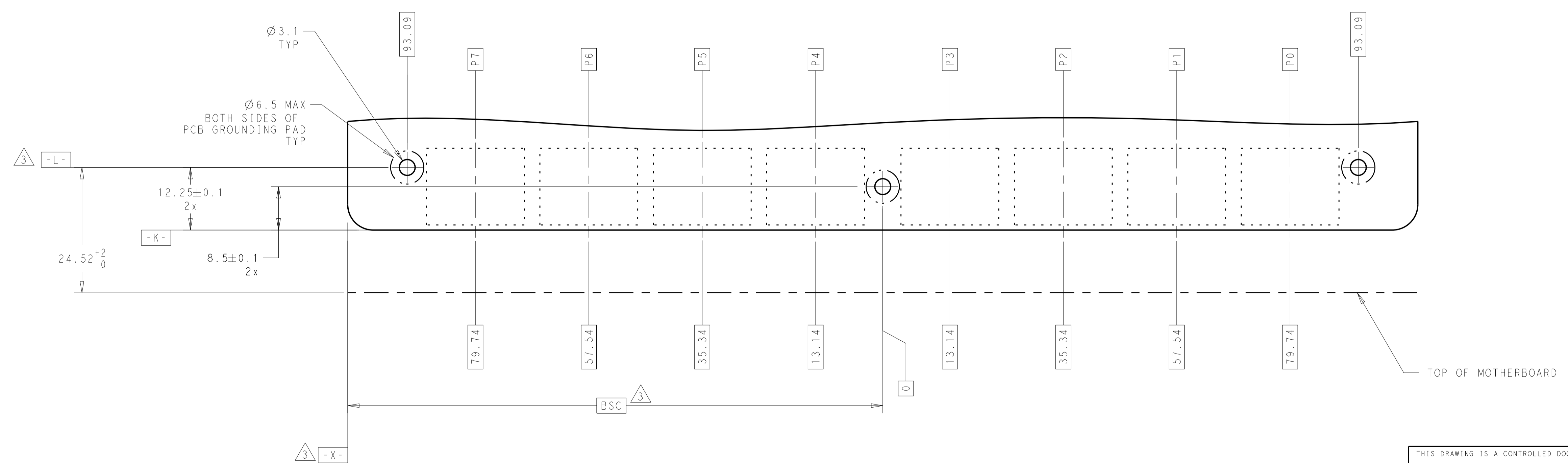
PCB INSERT LOCATIONS

THIS DRAWING IS A CONTROLLED DOCUMENT.		DWN: D. BELACK 25NOV2013	TE Connectivity
DIMENSIONS: mm		CHK: K. THACKSTON 11-25-13	
TOLERANCES UNLESS OTHERWISE SPECIFIED:		APP'D: M. McALONIS 11-25-13	NAME: Fortis Zd LRM, DAUGHTER CARD, RIGHT ANGLE, SHELL ASSEMBLY
0 PLC ±0.13 1 PLC ±0.05 2 PLC ±0.025 3 PLC ±0.025 4 PLC ±0.025 ANGLES ±0.2°	MATERIAL: 1 FINISH: 2	PRODUCT SPEC: 108-2474 APPLICATION SPEC: 408-10464 WEIGHT: -	SIZE: A1 CAGE CODE: - DRAWING NO: 2226783 RESTRICTED TO: -
Customer Drawing			SCALE: 1:1 SHEET: 3 OF 5 REV: A

REVISIONS				
P.	LTN.	DESCRIPTION	DATE	APVD.
-	-	SEE SHEET 1	-	-



2226783-4 SHOWN



PCB INSERT LOCATIONS

THIS DRAWING IS A CONTROLLED DOCUMENT.		OWN: D. BELACK 25NOV2013	TE Connectivity
DIMENSIONS: mm		CHK: K. THACKSTON 11-25-13	
TOLERANCES UNLESS OTHERWISE SPECIFIED:		APVD: M. McALONIS 11-25-13	NAME: Fortis Zd LRM, DAUGHTER CARD, RIGHT ANGLE, SHELL ASSEMBLY
0 PLC ±0.13	1 PLC ±0.05	PRODUCT SPEC: 108-2474	SIZE: A1
2 PLC ±0.025	3 PLC ±0.025	APPLICATION SPEC: 408-10464	SCALE: 1:1
4 PLC ±0.025	ANGLES ±0.2°	WEIGHT: -	SHEET 4 OF 5
MATERIAL: 1	FINISH: 2	Customer Drawing	REV A