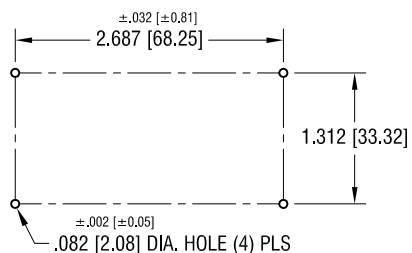
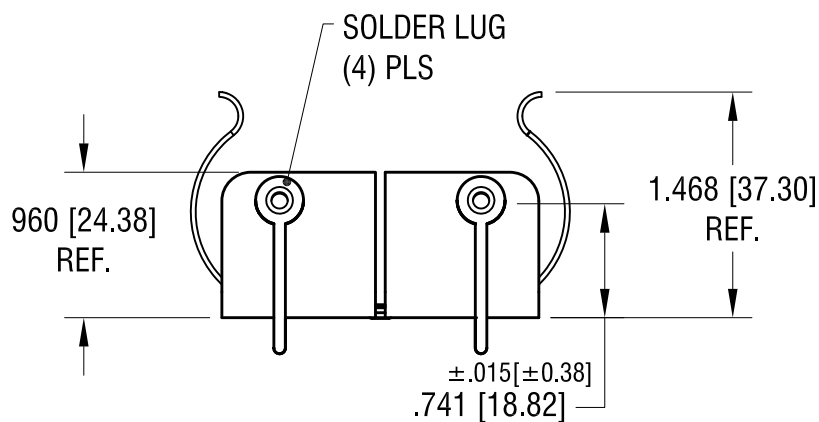
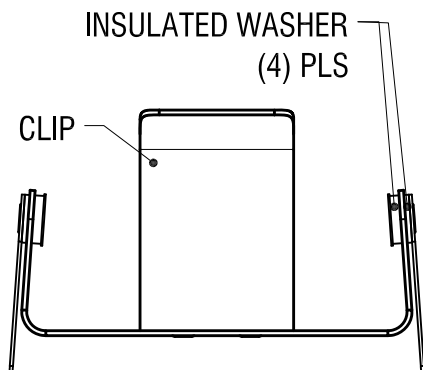
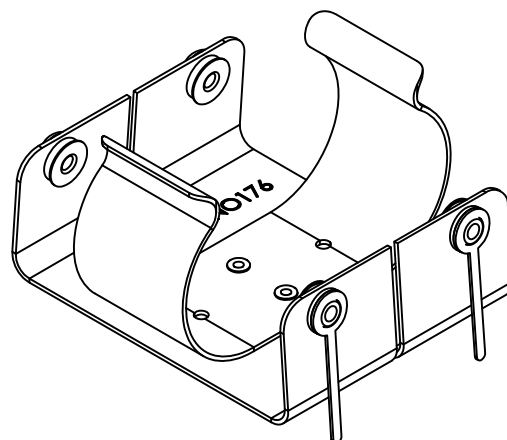
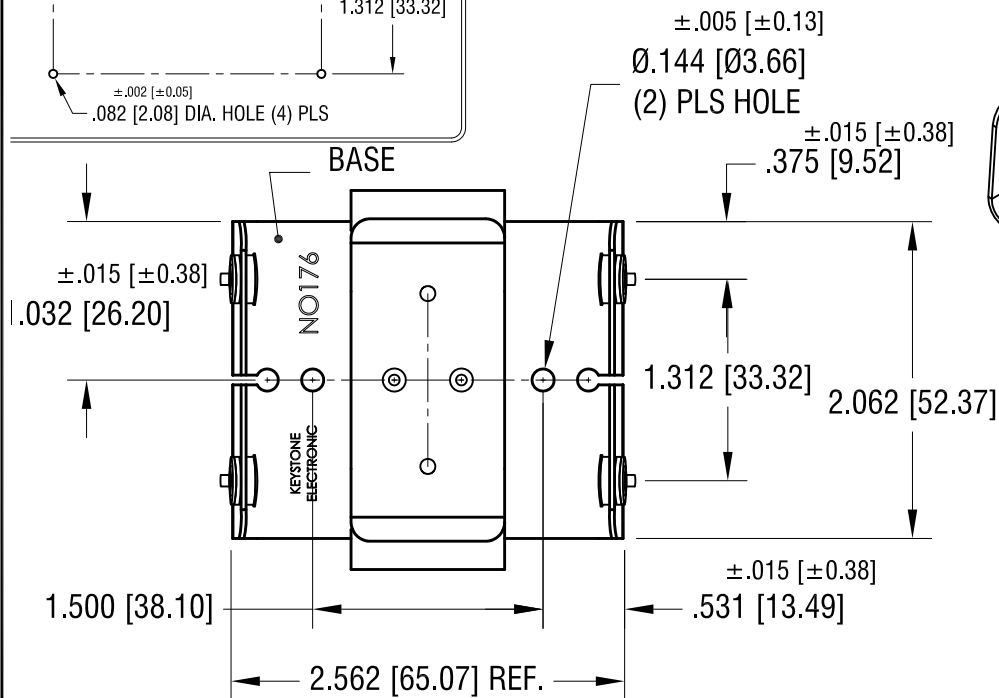


RECOMMENDED SPACING FOR PC LUGS



THIS DOCUMENT IS THE PROPERTY OF KEYSTONE ELECTRONICS CORP. AND SHALL NOT BE REPRODUCED, DISTRIBUTED OR USED AS A BASIS FOR MANUFACTURE WITHOUT PRIOR WRITTEN PERMISSION FROM KEYSTONE ELECTRONICS CORP.



NOTES:

1. BASE: MAT'L - .032 [.81] TH'K ALUMINUM
2. CLIP: MAT'L - .032 [.81] TH'K ALUMINUM
3. SOLDER LUG: MAT'L - BRASS
FINISH - TIN PLATE

KEYSTONE ELECTRONICS CORP.

www.keyelco.com • NEW HYDE PARK, NY 11040 • Tel (516) 328-7500

| | | | |
|----------------------------|-----------------|-------------------------------|---------|
| PART NAME | | BATTERY HOLDER, (2) 'D' CELLS | |
| MATERIAL | | AS NOTED | |
| FINISH | AS NOTED | DRN BY | BOONE |
| | | APP'D | RH |
| | | DATE | 6.22.07 |
| | | SCALE | .8X |
| TOLERANCES | INCH [MM] | CODE | DWG NO. |
| DECIMAL | ± .010 [± 0.25] | C | 2227 |
| ANGULAR | ± 1° | | |
| UNLESS OTHERWISE SPECIFIED | | | |

| | | |
|------|-------------|------|
| DATE | DESCRIPTION | REV. |
| | | |