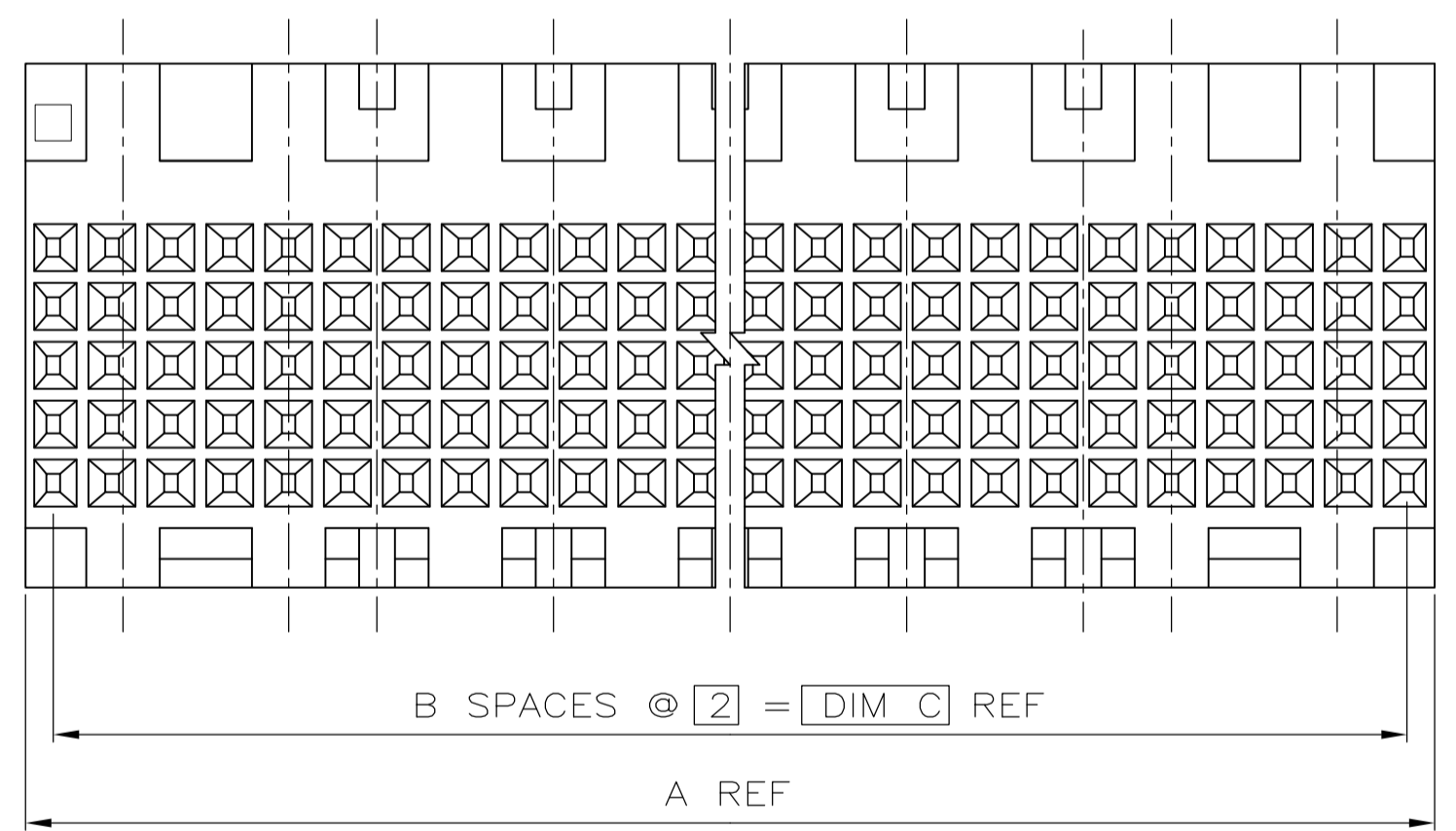
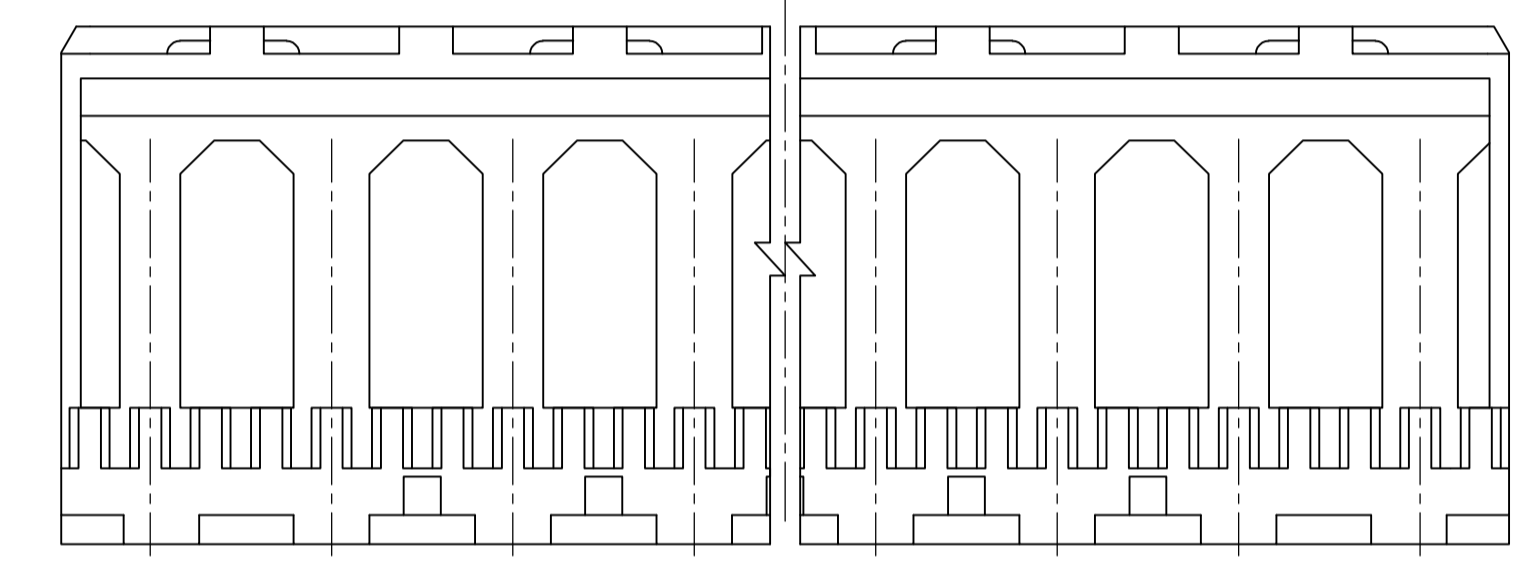
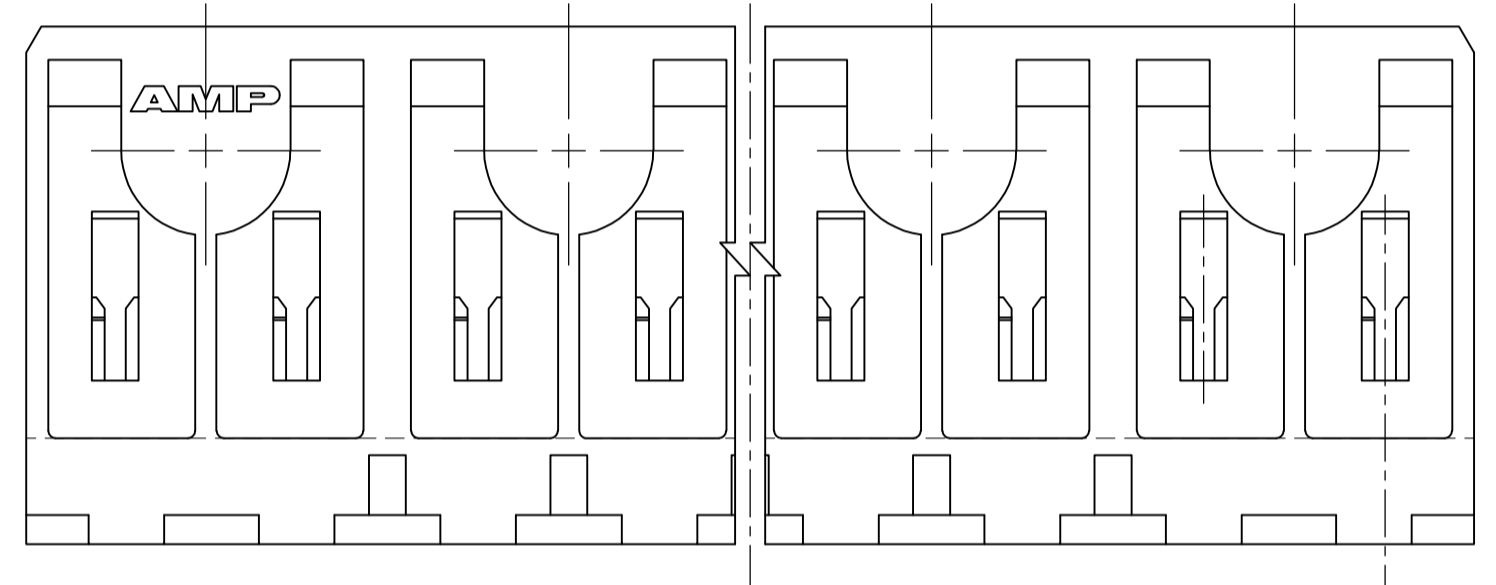
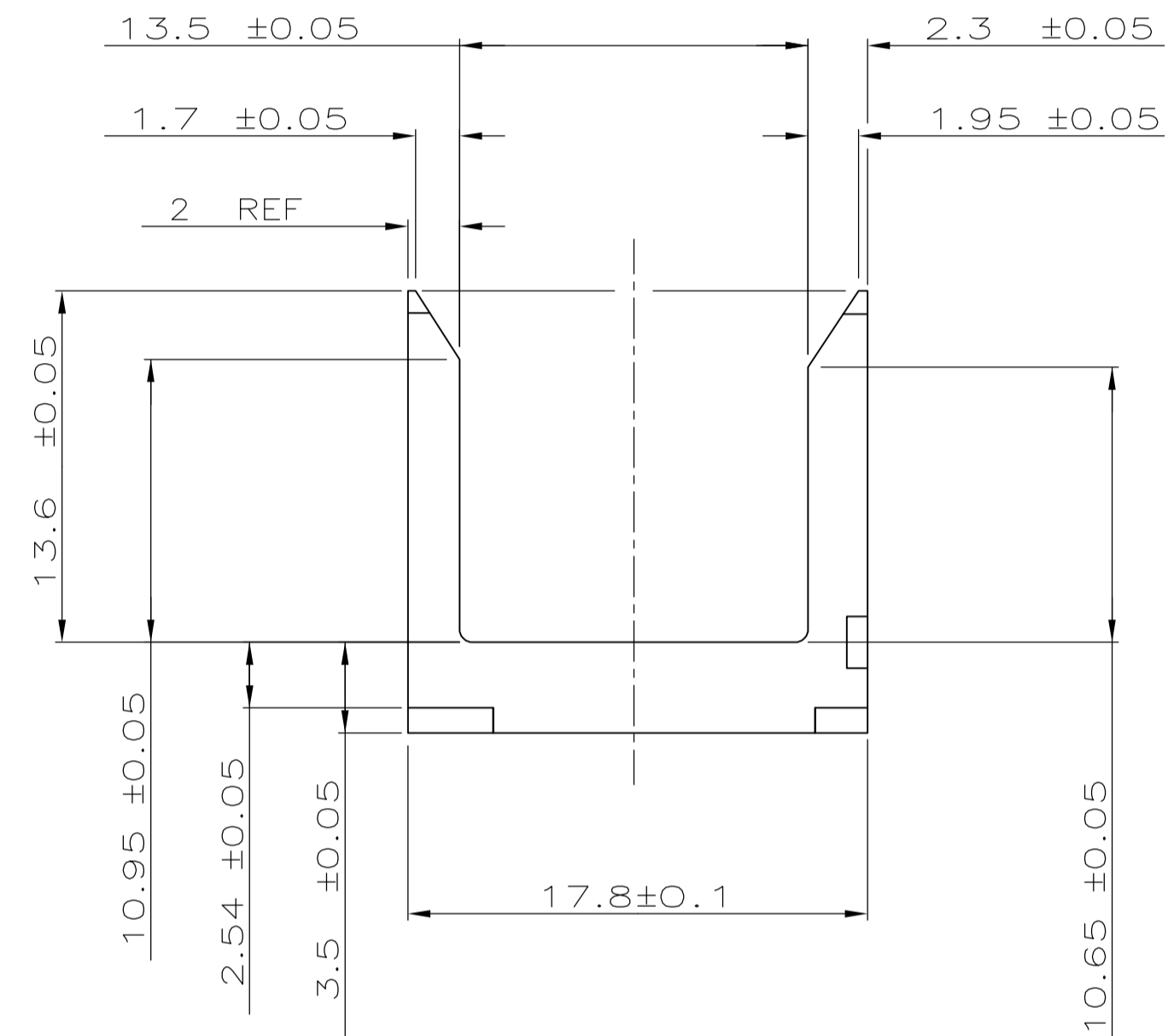
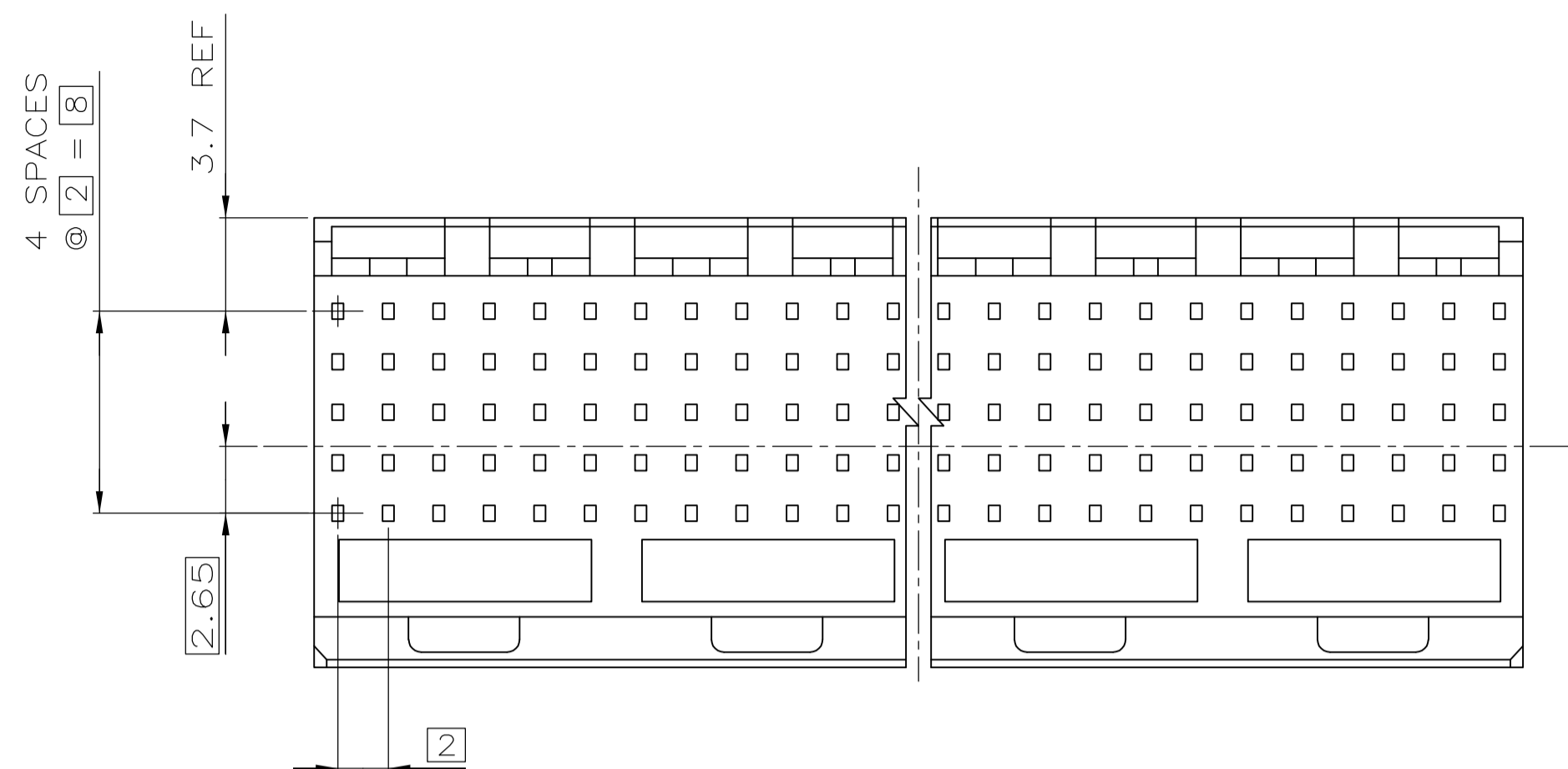


| LOC | | DIST | | REVISIONS | | | | |
|-----|----|------|-----|-----------------------------|---------|-----|------|--|
| AD | 47 | REV | LTR | DESCRIPTION | DATE | DWN | APVD | |
| | | B | | REVISE PER ECN 0U1B-0111-99 | 24MAR00 | SU | DK | |
| | | B1 | | REVISED PER ECO-09-020935 | 26AUG09 | KK | AEG | |

- ① MATERIAL: LIQUID CRYSTAL POLYMER, COLOR: NATURAL.
- ② OBSOLETE PARTS: OBSOLETE CIS STREAMLINING PER D.RENAUD/D.SINISI



| ② OBSOLETE | C | B | A | NUMBER OF SIGNAL POSITIONS | PART NUMBER |
|------------|----|--------|-----|----------------------------|-------------|
| 106 | 53 | 107.88 | 270 | | 223041-9 |
| 94 | 47 | 95.88 | 240 | | 223041-8 |
| 82 | 41 | 83.88 | 210 | | 223041-7 |
| 70 | 35 | 71.88 | 180 | | 223041-6 |
| 58 | 29 | 59.88 | 150 | | 223041-5 |
| 46 | 23 | 47.88 | 120 | | 223041-4 |
| 34 | 17 | 35.88 | 90 | | 223041-3 |
| 22 | 11 | 23.88 | 60 | | 223041-2 |
| 10 | 5 | 11.88 | 30 | | 223041-1 |

THE DRAWING IS A CONTROLLED DOCUMENT FOR AMP. REPERMITS IF A SUBJECT TO CHANGE AND THE CONTROLLING ENGINEERING ORGANIZATION SHOULD BE CONTACTED FOR THE LATEST REVISION.

DWN: R. BUCHHEISTER 08/JUL/96
 CHK: D. BAECHTLE 08/JUL/96
 D.P. 08/JUL/96
 D. SINISI 08/JUL/96

AMP Incorporated
 Harrisburg, PA 17105-3608

SHROUD, SIGNAL, VERTICAL, 5 ROW, Z-PACK 2mm FB

SIZE: A1 CAGE CODE: 00779 DRAWING NO: C-223041
 WEIGHT: -- SCALE: 4:1 SHEET 1 OF 1 REV 01

CUSTOMER DRAWING