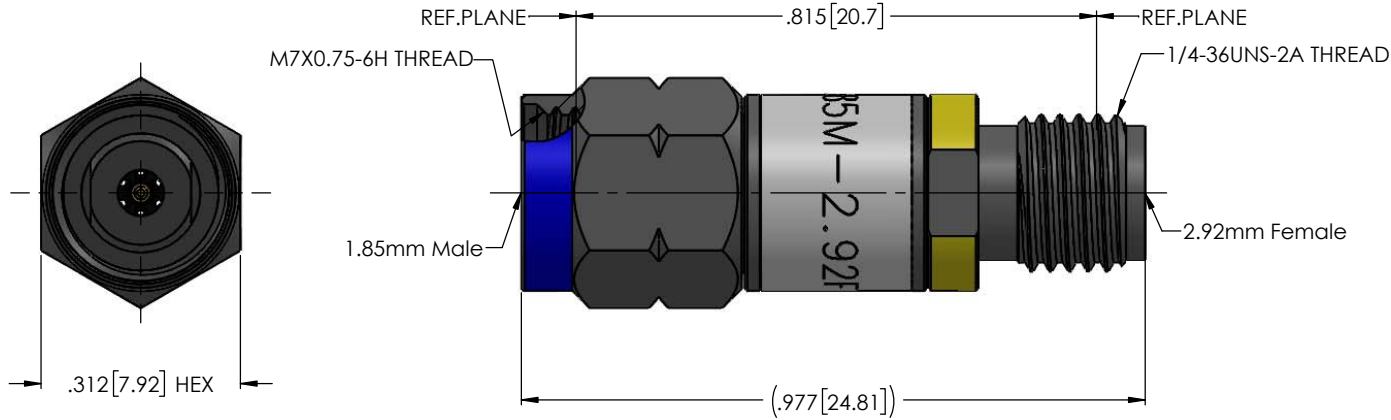




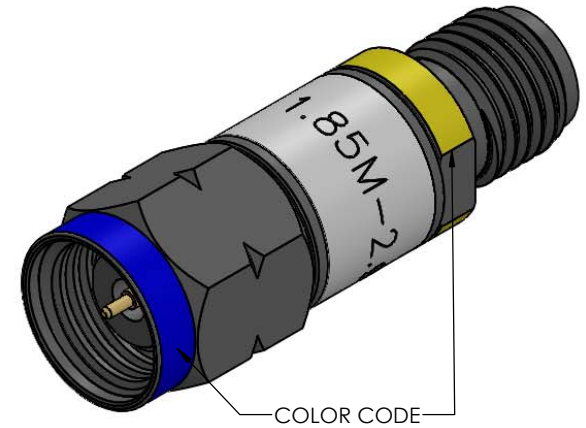
ALL DIMENSIONS IN BRACKETS ARE IN MM AND ARE FOR REFERENCE PURPOSE ONLY

2234000K001-834-C



ELECTRICAL SPECIFICATIONS	
FREQUENCY RANGE	DC- 40GHz
VSWR	1.25 Max @ 40GHz
INSERTION LOSS	0.38dB Max@ 40GHz
WORKING VOLTAGE@SEA LEVEL	150 Vrms
DWV@SEA LEVEL	500 Vrms
INSULATION RESISTANCE	5000MΩ
MECHANICAL SPECIFICATIONS	
DURABILITY	500 CYCLES MIN
COUPLING NUT TORQUE - RECOMMENDED	7-10 IN.LBS [0.8 -1.1N.m]
CONTACT CAPTIVATION	≥4.5 LBS [20N]
ENVIRONMENTAL SPECIFICATIONS	
TEMP RANGE	-55° TO +125° C

- NOTES:
- ASSEMBLED CONNECTOR INTERFACE IS DESIGNED IN ACCORDANCE WITH IEC 61169-32(1.85mm) & IEC61169-35(2.92mm).



CONTACT - HIGH FREQUENCY	BERYLLIUM COPPER PER ASTM B196, C17300, TEMPER TD04	GOLD PLATE PER ASTM B488
INSULATOR - HIGH FREQUENCY	NORYL EN265, POLYPHENYLENE OXIDE (PPO), PER ASTM D-4349 PPE220B50541 F13 G1106	N/A
BUSHING - HIGH FREQUENCY	BRASS PER ASTM B16, C36000 ALLOY, TEMPER H02	GOLD PLATE PER ASTM B488
COUPLING NUT	CORROSION RESISTANT STEEL PER ASTM 582, S30300, COND. A	PASSIVATE PER SAE-AMS-2700
LOCKING RING	BERYLLIUM COPPER PER ASTM B196, C17300, TEMPER TD04	N/A
BODY - HIGH FREQUENCY	CORROSION RESISTANT STEEL PER ASTM 582, S30300, COND. A	PASSIVATE PER SAE-AMS-2700
DESCRIPTION	MATERIAL	FINISH

Table 1

PROPRIETARY AND CONFIDENTIAL  
THE INFORMATION CONTAINED IN THIS DRAWING IS THE SOLE PROPERTY OF DELTA ELECTRONICS (NANJING) CO.LTD. ANY REPRODUCTION IN PART OR AS A WHOLE WITHOUT THE WRITTEN PERMISSION OF DELTA ELECTRONICS (NANJING) CO.LTD. IS PROHIBITED.

FILE NAME: 2234000K001-8341-C

UNLESS OTHERWISE SPECIFIED:				NAME	DATE	DELTA MICROWAVE ELECTRONICS (NANJING) CO., LTD www.DeltaRF.com / Ph: 025-84195408/ Fax: 025-84195407	
DIMENSIONS ARE IN INCHES				DRAWN	VINCENT		8/18/2020
TOLERANCES:				CHECKED	JAMES		8/18/2020
FRACTIONAL 1/64				ENG APPR.	JAMES		8/18/2020
ANGULAR: MACH 1° BEND 1°				COMMENTS:		TITLE:	
TWO PLACE DECIMAL .01						1.85mm MALE TO 2.92mm FEMALE STRAIGHT ADAPTER	
THREE PLACE DECIMAL .005						SIZE	
MAX. CORNER BREAK = .005						DWG. NO.	
MAX. T.I.R. = .004						2234000K001-834-C	
SURFACE FINISH = A3 or BETTER						REV	
☒ DENOTES CRITICAL DIMENSION						-	
THIRD ANGLE PROJECTION						CODE ID - 00795	
MATERIAL						WEIGHT: 6.16 g	
SEE TABLE						SHEET 1 OF 1	
FINISH							
SEE TABLE							
SCALE:							