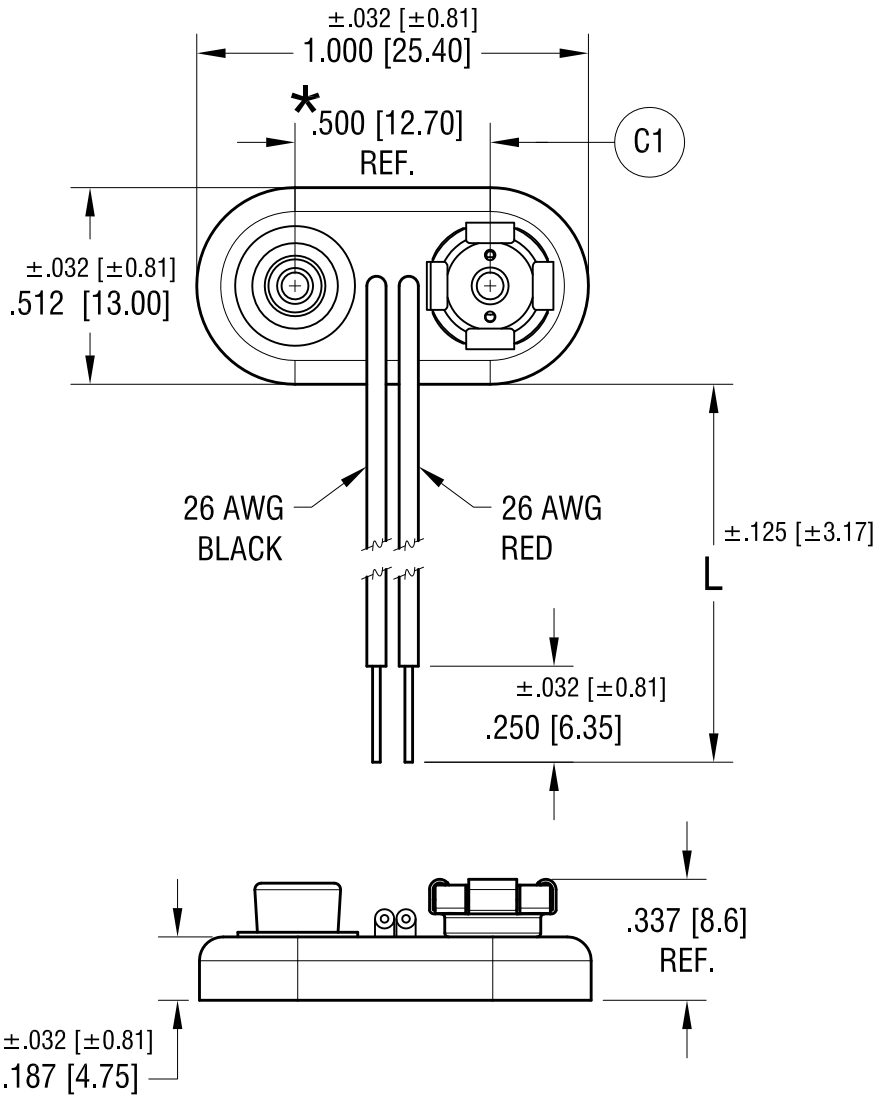
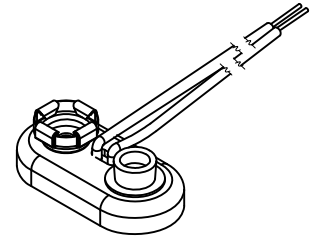


THIS DOCUMENT IS THE PROPERTY OF KEYSTONE ELECTRONICS CORP. AND SHALL NOT BE REPRODUCED, DISTRIBUTED OR USED AS A BASIS FOR MANUFACTURE WITHOUT PRIOR WRITTEN PERMISSION FROM KEYSTONE ELECTRONICS CORP.



ACTUAL SIZE



NOTE:

1. MAT'L - WIRE: 26 AWG, 1007 UL/CSA APPROVED
2. CONTACTS: PHOSPHOR BRONZE, NICKEL PLATE
3. BODY: MOLDED POLYETHYLENE
4. RED WIRE CONNECTED TO FEMALE CONTACT;  
BLACK WIRE CONNECTED TO MALE CONTACT.
5. ★ REF. DIMENSION MUST FIT  
INDUSTRY STANDARD 9 VOLT BATTERY.

PART NO.	'L' DIM.
2241	4.000 [101.60]
2242	6.000 [152.40]
2243	8.000 [203.20]

DATE	DESCRIPTION	REV.
8.23.21	ALL OUTSIDE HAD ±.020 TOLERANCE C1 WAS .512+.015/- .005, ADD NOT 5. CHANGE AS PER ECN 21-096	C
6.1.05	CHANGE AS PER ECN 05-029	B
3.10.05	CHANGE AS PER ECN 05-017	A

**KEYSTONE ELECTRONICS CORP.**  
 www.keyelco.com • NEW HYDE PARK, NY 11040 • Tel (516) 328-7500

PART NAME  
**PREMIUM '9' VOLT 'T' STYLE BATTERY STRAP**

MATERIAL  
 AS NOTED

FINISH  
 AS NOTED

DRN BY BOONE DATE 8.08.85  
 APP'D LN SCALE 2X

TOLERANCES INCH [MM]  
 DECIMAL ±.020 [±0.50]  
 ANGULAR ± 1°  
 UNLESS OTHERWISE SPECIFIED

CODE  
 C

DWG NO.  
**2241-2243**