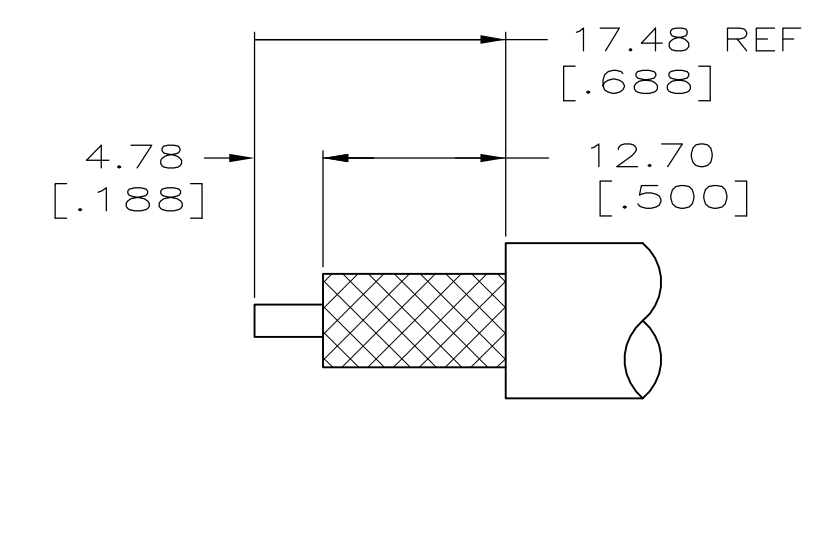
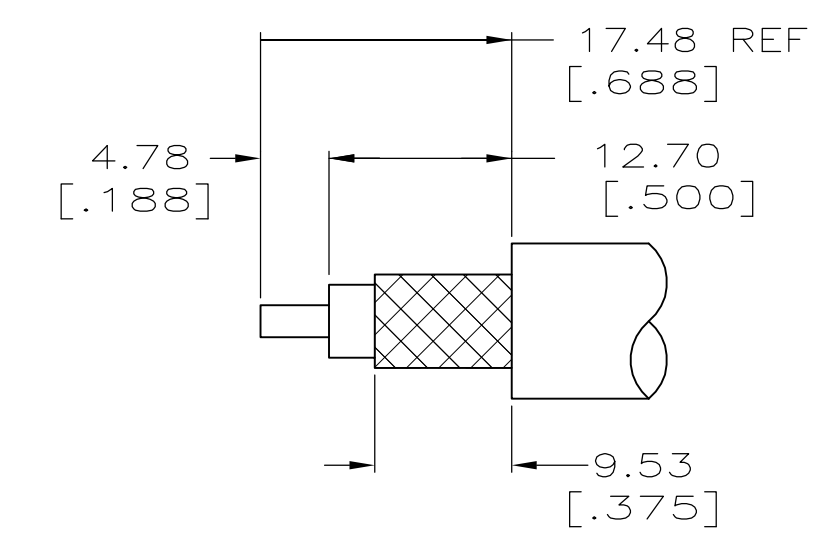
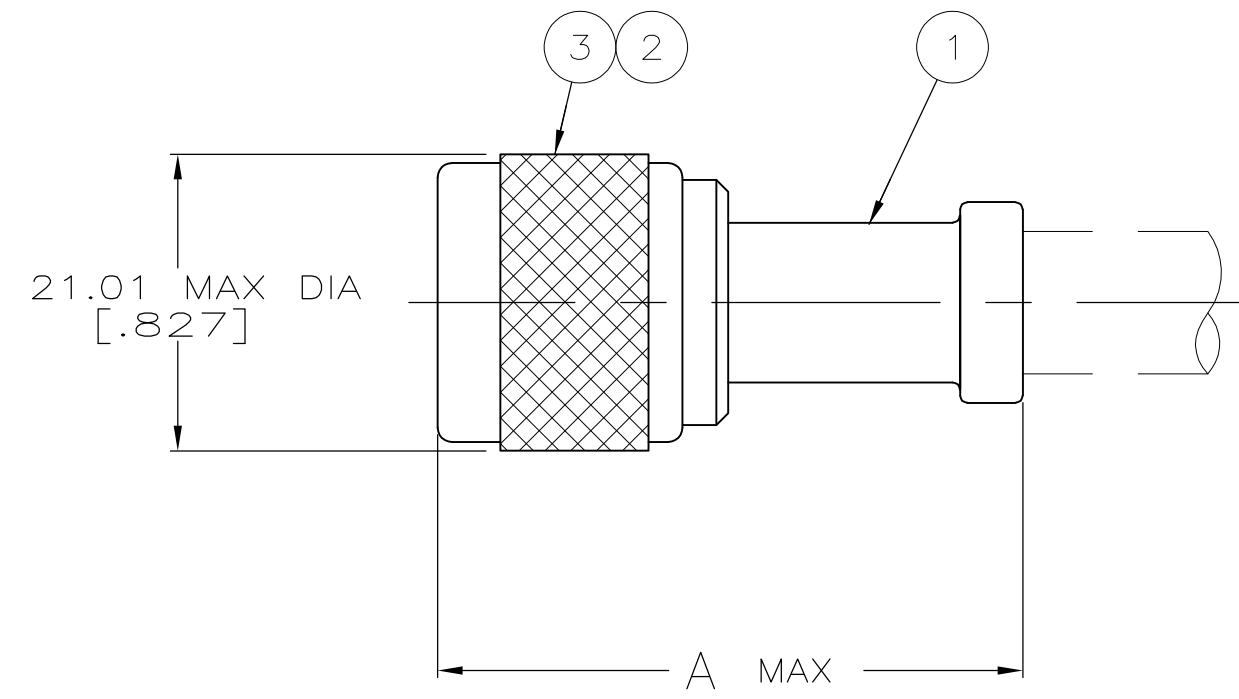


1. SEE I.S. SHEET 2028-1



VIEW X VIEW Y

RECOMMENDED STRIP LENGTH

CRIMP TOOL	A MAX	STRIP LENGTH VIEW	CABLE SIZE	STAMPING	③ FERRULE QTY=1	② CONTACT QTY=1	① PLUG ASSY QTY=1	PART NUMBER
	TBD	Y	BXS 7004-501					7-225092-6 AMP
OBSOLETE	220015-1	X	TIME AA-5888					7-2250902-5 AMP
OBSOLETE	220015-1	X	TIME AA-5886					7-225092-4 AMP
OBSOLETE	220015-1	X	TIME AA-5887					7-225092-3 AMP
SUPERSEDED BY 225092-2	-	-	-	-	-	-	-	-
SUPERSEDED BY 225092-1	-	-	-	-	-	-	-	-
OBSOLETE	-	-	-	-	-	-	-	-
OBSOLETE	-	-	-	-	-	-	-	-
OBSOLETE	-	-	-	-	-	-	-	-
OBSOLETE	220015-1	Y	RG-214/U	10688470 AMP	331987	51695-2	225081-1	1-225092-2
	220015-1	Y	RG-393/U	1-225092-1 AMP	9-225490-1	2-51695-3	225081-1	1-225092-1
	220015-3	X	MICRODOT 250-4172, 250-4208	1-225092-0 AMP	225612-2	2-51695-1	225901-1	1-225092-0
	220015-3	X	MICRODOT 250-4171, 250-4207	225092-9 AMP	225612-1	2-51695-1	225901-2	225092-9
SUPERSEDED BY 414160-3	220015-1	Y	RG-115A/U	225092-8 AMP	1-331987-3	2-51695-1	225081-2	225092-8
	220015-1	Y	RG-225/U	00779M39012/01B0012 AMP & DATE CODE (YY-WW)	331987	51695-8	225081-1	225092-7
OBSOLETE	-	-	-	-	-	-	-	225092-6
OBSOLETE	-	-	-	-	-	-	-	225092-5
OBSOLETE	-	-	-	-	-	-	-	225092-4
	220015-1	X	RG-213/U	00779M39012/01B0007 AMP & DATE CODE (YY-WW)	1-331987-3	51695-2	225081-1	225092-2
	220015-1	Y	RG-214/U	00779M39012/01B0008 AMP & DATE CODE (YY-WW)	331987	51695-2	225081-1	225092-1

THIS DRAWING IS A CONTROLLED DOCUMENT.

DIMENSIONS: MM(INCHES)	TOLERANCES UNLESS OTHERWISE SPECIFIED:	DWN: M. SNEED 2-22-91	CHK: R. HENRY 2-22-91
0 PLC ± -	1 PLC ± -	APVD: R. HENRY 2-22-91	NAME: PLUG, WEATHERPROOF, SERIES N
2 PLC ± -	3 PLC ± 0.41 [016]	PRODUCT SPEC: 108-12019	APPLICATION SPEC: -
4 PLC ± -	ANGLES ± -	FINISH: -	WEIGHT: -
MATERIAL: -	FINISH: -	CUSTOMER DRAWING	SCALE: 2:1 SHEET 1 OF 1 REV S2

STE TE Connectivity