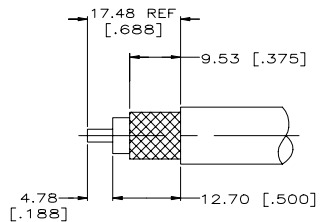
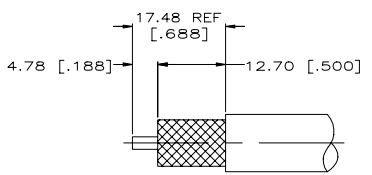


REVISIONS					
P	LR	DESCRIPTION	DATE	DRN	APPD
P1	REV PER	ECR-21-103273	13MAY2021	RZ	WK

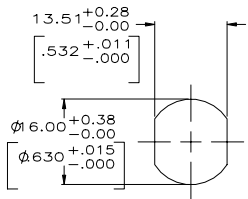
1. SEE I.S. 2028-3



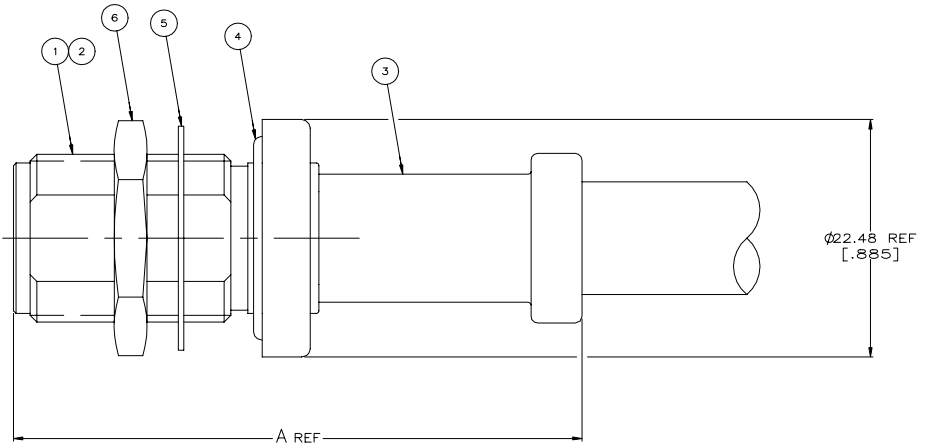
VIEW Y
RECOMMENDED STRIP LENGTH
SCALE 2:1



VIEW X
RECOMMENDED STRIP LENGTH
SCALE 2:1



RECOMMENDED
PANEL CUTOUT
SCALE 2:1



RG-213/U	7-225094-2 AMP	Y	220015-1	53.98 [2.125]	1-332004-0	50687	22132-3	1-331987-3	51704-4	225085-1	7-225094-2		
RG-214/U	7-225094-1 AMP	X	220015-1	53.98 [2.125]	1-332004-0	50687	22132-3	331987	51704-4	225085-1	7-225094-1		
MICRODOT 250-4171 & 250-4207	1-225094-5 AMP	Y	220015-3	53.16 [2.093]	1-332004-9	50687	22132-3	225612-1	51704-4	225905-2	1-225094-5		
MICRODOT 250-4172 & 250-4208	1-225094-4 AMP	Y	220015-3	53.16 [2.093]	1-332004-9	50687	22132-3	9-225612-0	51704-4	225905-1	1-225094-4		
OBSOLETE	RG-214/U		10688469 AMP	X	220015-1	53.98 [2.125]	1-332004-0	50687	22132-3	331987	51704-4	225085-1	1-225094-0
OBSOLETE													1-225094-2
OBSOLETE	RG-115A/U		225094-8 AMP	X	220015-1	53.98 [2.125]	1-332004-0	50687	22132-3	1-331987-3	51704-4	225085-2	225094-8
OBSOLETE	RG-225/U		00779M39012/03B0009 AMP & DATE CODE	X	220015-1	53.98 [2.125]	1-332004-0	50687	22132-3	331987	1-51704-6	225085-1	225094-7
OBSOLETE													225094-6
OBSOLETE	RG-216/U		00779M39012/03B0011 AMP & DATE CODE	X	220015-1	53.98 [2.125]	1-332004-0	50687	22132-3	331987	1-51704-4	225085-1	225094-5
OBSOLETE	RG-213/U		00779M39012/03B0004 AMP & DATE CODE	Y	220015-1	53.98 [2.125]	9-332004-0	9-50687-0	22132-3	9-331987-4	51704-4	225085-1	225094-2
OBSOLETE	RG-214/U		00779M39012/03B0005 AMP & DATE CODE	X	220015-1	53.98 [2.125]	9-332004-0	9-50687-0	22132-3	9-331987-3	51704-4	225085-1	225094-1
CABLE SIZE	STAMPING	VIEW	CRIMP TOOL	A	6 JAM NUT QTY=1	5 LOCKWASHER QTY=1	4 O-RING QTY=1	3 FERRULE QTY=1	2 CONTACT QTY=1	1 JACK ASSY QTY=1	PART NUMBER		

THIS DRAWING IS A CONTROLLED DOCUMENT. DRN: B. SCOTT 07-08-91
 DIMENSIONS: INCHES. TOLERANCES UNLESS OTHERWISE SPECIFIED: .015. DR: M. SNEED 10-25-91
 PRODUCT SPEC: 108-12019
 APPLICATION SPEC: 108-12019
 WEIGHT: 0.000000
 MATERIAL: -
 FINISH: -
 CUSTOMER DRAWING
 SIZE: A1
 CASE CODE: 00779
 DRAWING NO: 225094
 RESTRICTED TO: -
 SCALE: 4:1
 SHEET: 1 OF 1
 REV: P1

TE TE Connectivity
 JACK, BULKHEAD, WEATHERPROOF, SERIES N