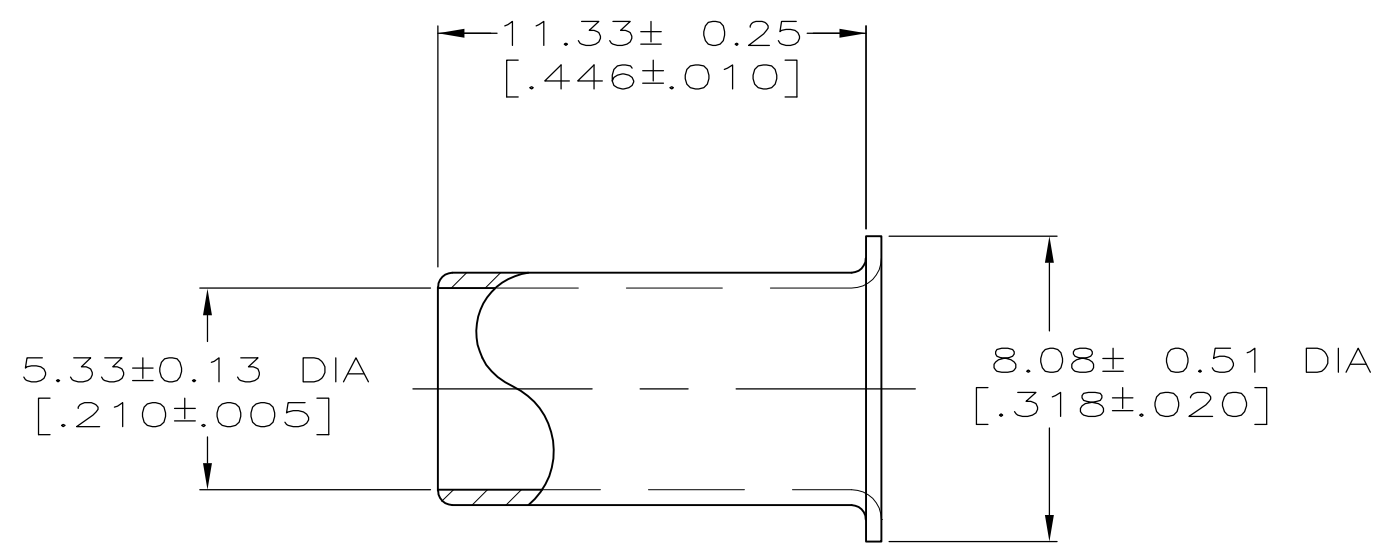
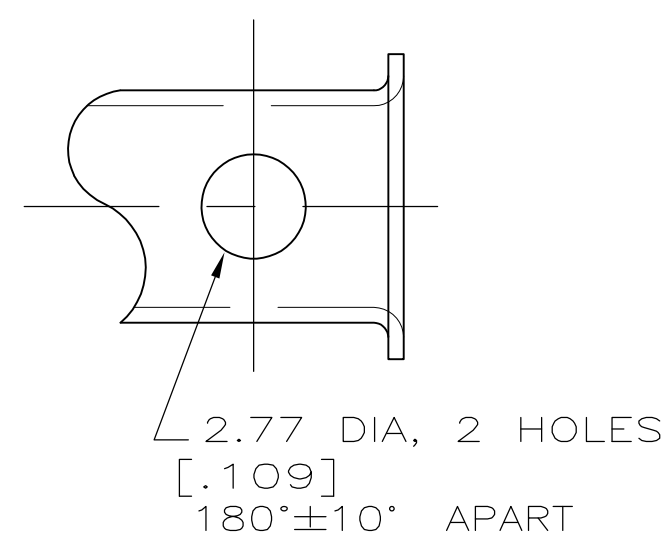


THIS DRAWING IS UNPUBLISHED. RELEASED FOR PUBLICATION
 © COPYRIGHT BY TYCO ELECTRONICS CORPORATION. ALL INTERNATIONAL RIGHTS RESERVED.

LOC	DIST	REVISIONS			
P	LTR	DESCRIPTION	DATE	DWN	APVD
AJ	16	H	REVISED PER ECO-10-008441	17JUN10	HMR KW



VIEW X



VIEW Y
 SAME AS VIEW X EXCEPT

- ① COPPER ALLOY
- ② NICKEL PL PER QQ-N-290
- ③ TIN PL PER MIL-T-10727
- ④ BLACK CHROMATE PLATE OVER ZINC PLATE PER ASTM-B-633
- ⑤ BLACK NICKEL PLATE

VIEW	FINISH	PART NUMBER
X	④	226599-7
X	⑤	226599-6
Y	③	226599-4
X	②	226599-2

THIS DRAWING IS A CONTROLLED DOCUMENT.		DWN J. MOLL 21NOV90	Tyco Electronics Corporation Harrisburg, PA 17105-3608		
DIMENSIONS: mm [INCHES]		CHK M. SNEED 21NOV90			
TOLERANCES UNLESS OTHERWISE SPECIFIED:		APVD R. HENRY 21NOV90	NAME FERRULE, MINIATURE UHF		
0 PLC ± - 1 PLC ± - 2 PLC ± - 3 PLC ± - 4 PLC ± - ANGLES ± -		PRODUCT SPEC -	APPLICATION SPEC -		
MATERIAL ①	FINISH SEE TABLE	WEIGHT -	SIZE A3	CAGE CODE 00779	DRAWING NO C-226599
CUSTOMER DRAWING			RESTRICTED TO -	SCALE 5:1	SHEET 1 OF 1
			REV H		