

4

3

2

1

THIS DRAWING IS UNPUBLISHED.

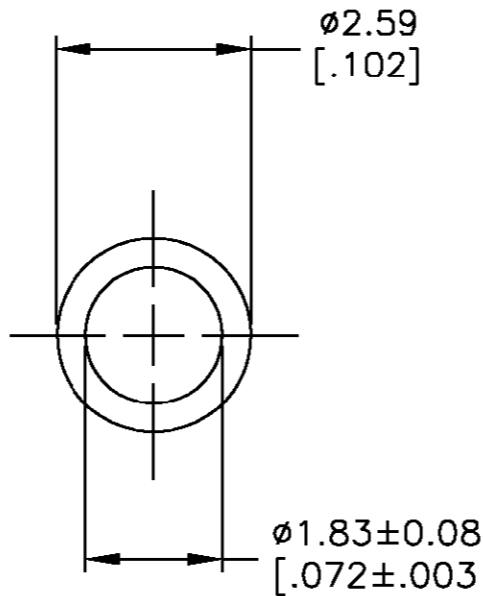
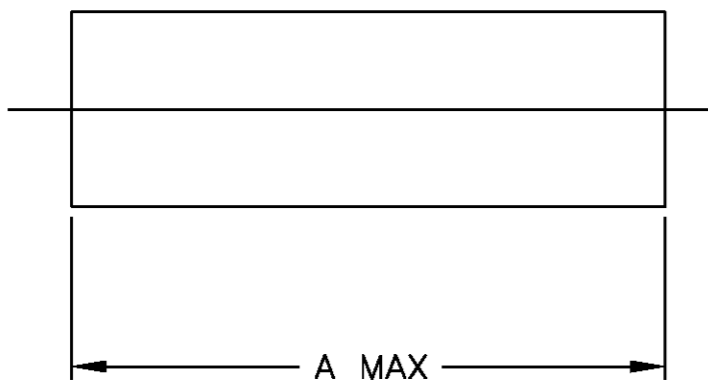
RELEASED FOR PUBLICATION

© COPYRIGHT - BY TYCO ELECTRONICS CORPORATION. ALL RIGHTS RESERVED.

LOC
AJ
DIST
16

REVISIONS

P	LTR	DESCRIPTION	DATE	DWN	APVD
	D	REV PER 0U20-0164-01	28MAR01	MO	BM



20.07	[.790]	227194-5
11.68	[.460]	227194-4
14.89	[.585]	227194-3
1.91	[.075]	227194-2
8.26	[.325]	227194-1
A		PART NUMBER

THIS DRAWING IS A CONTROLLED DOCUMENT.		DWN J.L.GROFT 6-30-90	AMP Tyco Electronics Corporation Harrisburg, Pa														
DIMENSIONS: MM [INCHES]		CHK S.J.MAGARO 7-2-90															
TOLERANCES UNLESS OTHERWISE SPECIFIED:		APVD M. PHILLIPS 7-2-90	NAME TUBING														
<table border="0"> <tr><td>0 PLC</td><td>± -</td></tr> <tr><td>1 PLC</td><td>± -</td></tr> <tr><td>2 PLC</td><td>± -</td></tr> <tr><td>3 PLC</td><td>± 0.10 [.004]</td></tr> <tr><td>4 PLC</td><td>± -</td></tr> <tr><td>ANGLES</td><td>± -</td></tr> </table>		0 PLC	± -	1 PLC	± -	2 PLC	± -	3 PLC	± 0.10 [.004]	4 PLC	± -	ANGLES	± -	PRODUCT SPEC -	APPLICATION SPEC -		
0 PLC	± -																
1 PLC	± -																
2 PLC	± -																
3 PLC	± 0.10 [.004]																
4 PLC	± -																
ANGLES	± -																
MATERIAL PTFE;MIL-P-19468		FINISH -	WEIGHT -	SIZE A3	CAGE CODE 00779	DRAWING NO C=227194	RESTRICTED TO -										
CUSTOMER DRAWING				SCALE 10:1	SHEET 1 OF 1	REV D											