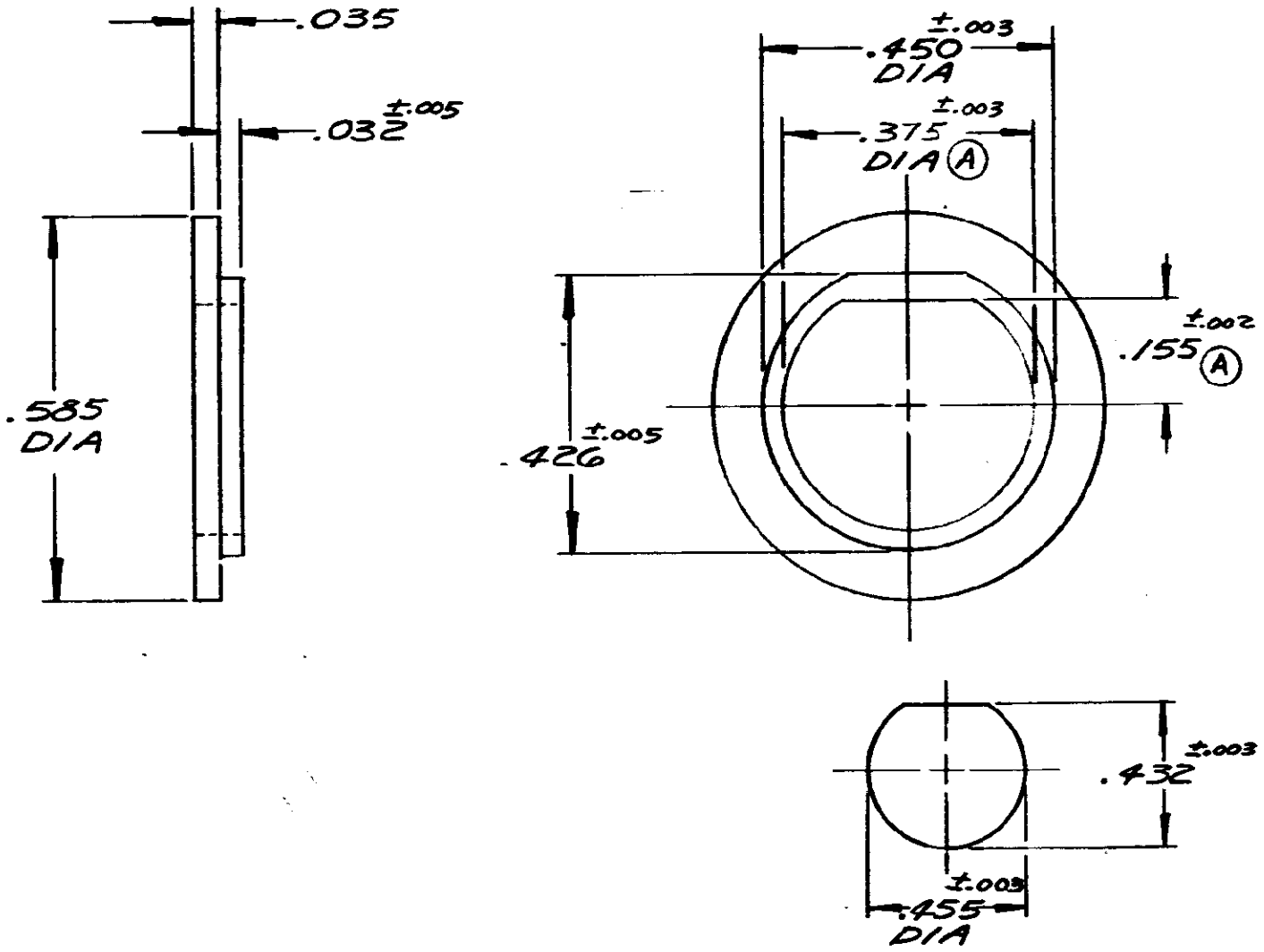


© COPYRIGHT 1979 BY AMP INCORPORATED, HARRISBURG, PA. ALL INTERNATIONAL RIGHTS RESERVED. AMP INCORPORATED PRODUCTS COVERED BY U.S. AND FOREIGN PATENTS AND/OR PATENTS PENDING.

REVISIONS				
LTR	DESCRIPTION	DATE	APPROVED	PF
0	NPS 79-2547			11
A	REVISED C79-112	5/21/79	WTW	1

227223-1



SUGGESTED PANEL CUTOUT
SCALE: 2-1

UNLESS OTHERWISE SPECIFIED DIMENSIONS ARE IN INCHES. TOLERANCES ON:
DECIMALS ±.008
ANGLES ± 5°

MATERIAL
NYLON
(MIL-M-20693)
TYPE I

FINISH
COLOR:
NATURAL

CONTRACT NO _____

DR *2-13-79*
Calvin Co Frank


CHK *W.T. WARDWELL 3-27-79*

APPD *S. G. LAUDIG 3-29-79*

APPD _____

DSGN APPD *P.E. Klatavsky 4-4-79*

OTHER APPD _____

 AMP INCORPORATED Harrisburg, Pa.		
NAME CONNECTOR, COAXIAL, R.F. SERIES BNC INSULATING BUSHING FOR: SOLDER RECEPTACLE		
SIZE A	CODE IDENT NO 00779	DRAWING NO 227223-1
SCALE 4-1	SHEET 1 OF 1	