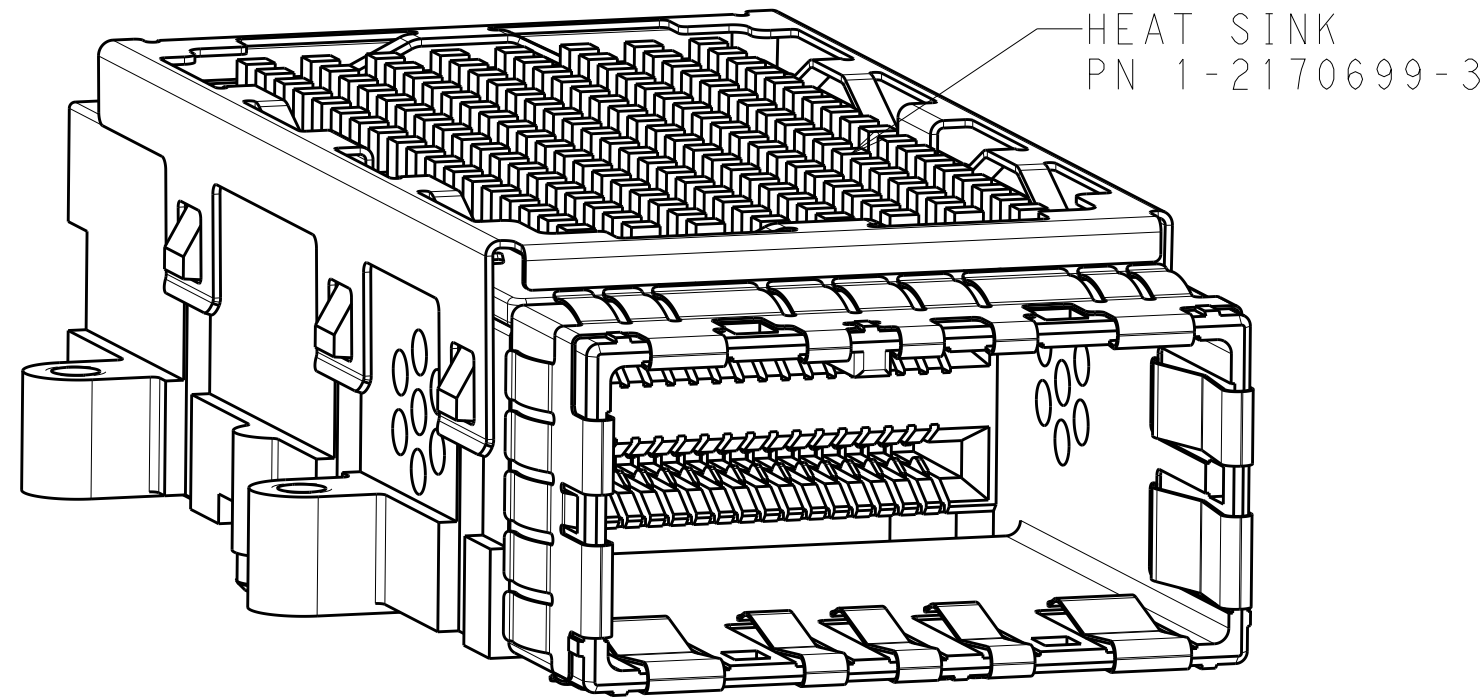
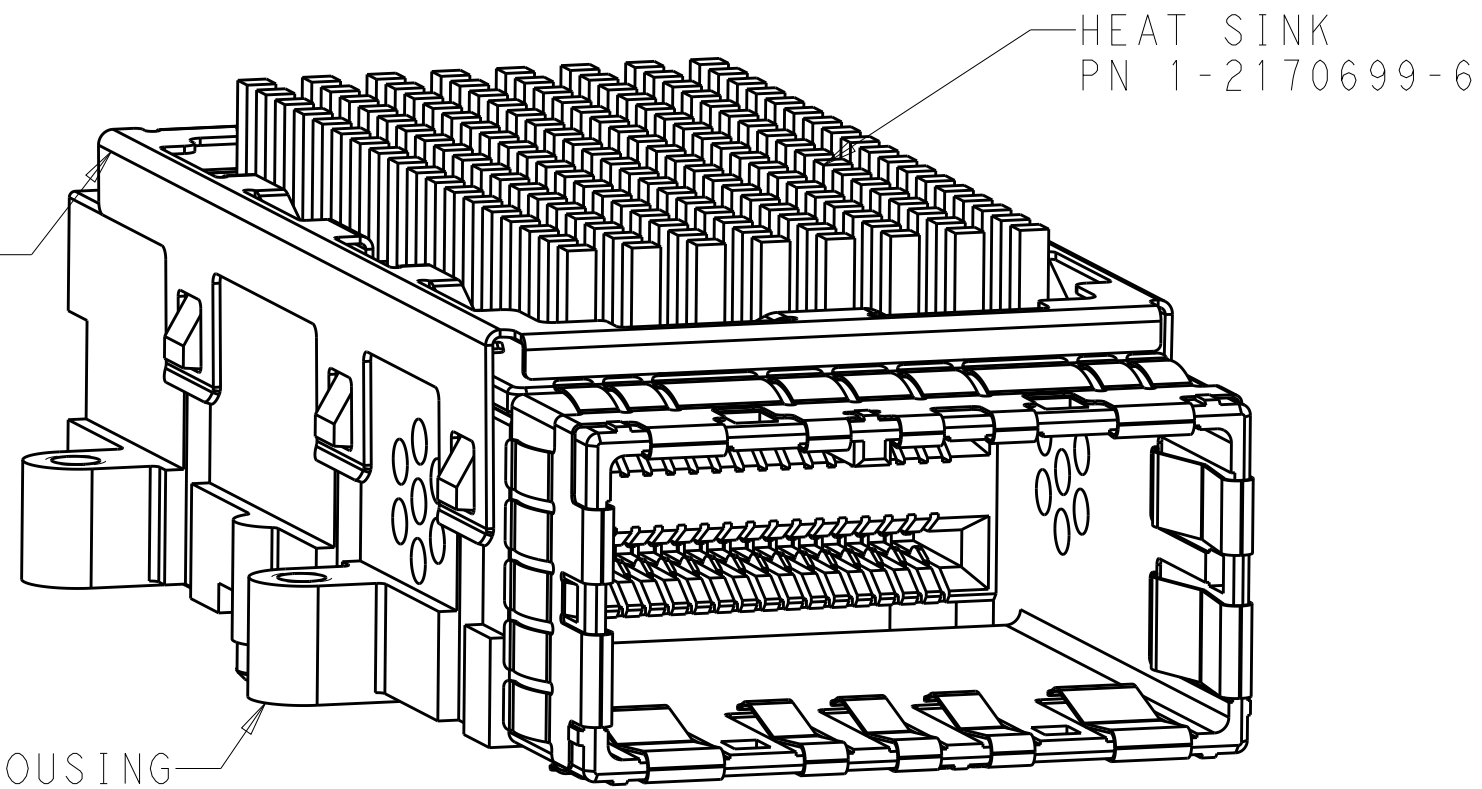


THIS DRAWING IS UNPUBLISHED. RELEASED FOR PUBLICATION 20
 © COPYRIGHT 20 BY - ALL RIGHTS RESERVED.

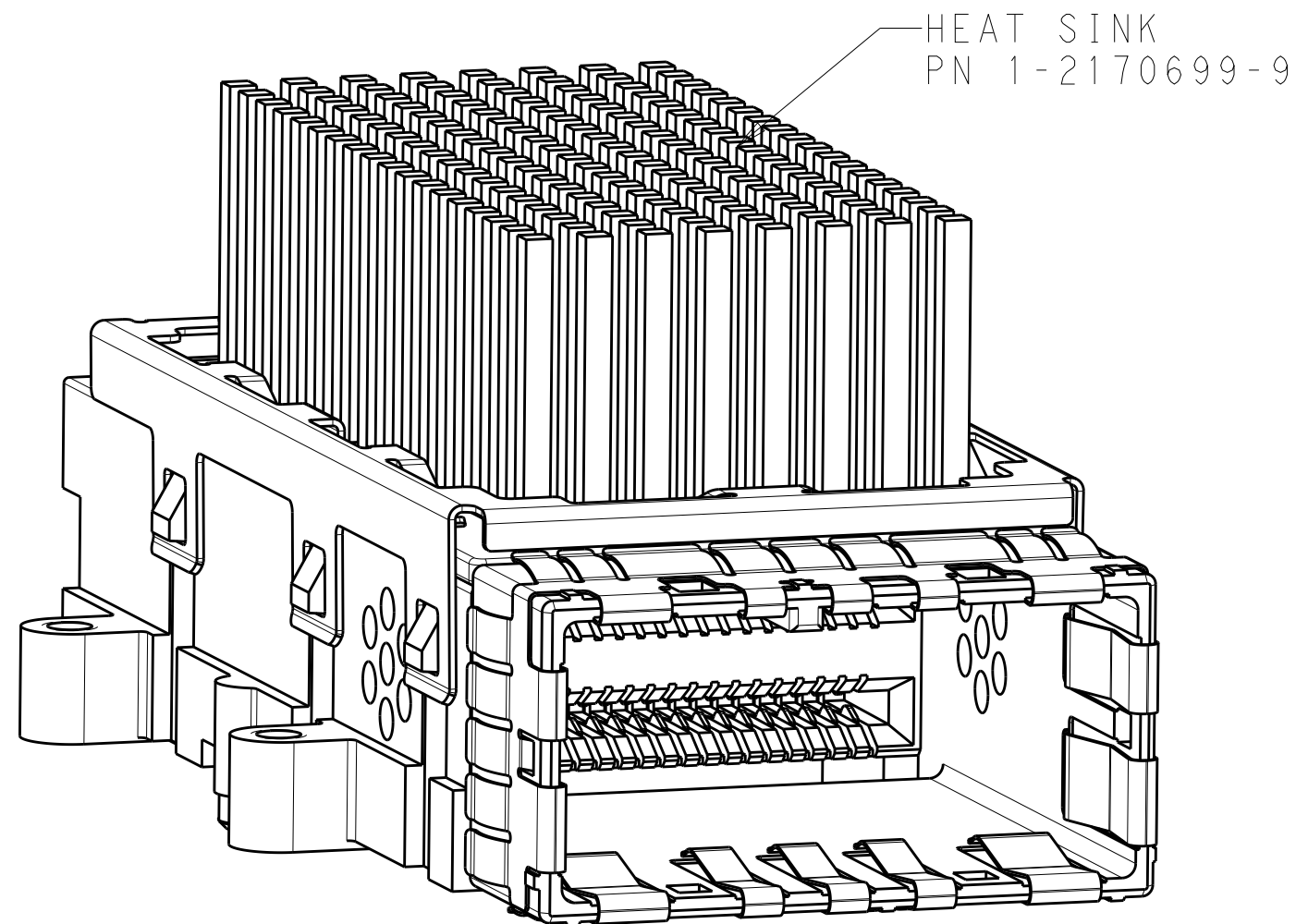
LOC	DIST	REVISIONS					
GP	00	P	LTR	DESCRIPTION	DATE	DWN	APVD
		1		ORIGINAL	02OCT2013	BM	SB
		2		ADDED -3	16APR2014	LAW	SB
		3		UPDATED VIEWS AND HEATSINK PART NUMBERS	08AUG2014	BM	SB
		4		UPDATED HEATSINK PART NUMBERS	03DEC2018	JY	SH



2274306-1



2274306-2



2274306-3

PRELIMINARY PART- NOT RELEASED FOR PRODUCTION

1. MATERIALS:
 HOUSING - ZINC ALLOY
 EMI SPRINGS - COPPER ALLOY
 RECEPTACLE HOUSING - LCP, BLACK, UL 94V-0 RATED
 CHICKLET - LCP, BLACK, UL 94V-0 RATED
 CONTACT - PHOSPHOR BRONZE
 EMI SPRING - COPPER ALLOY
 HEAT SINK - ALUMINUM
 CLIP, HEAT SINK - STAINLESS STEEL

2. FINISH:
 CONTACTS - CONFORMS TO THE REQUIREMENTS OF TE PRODUCT SPECIFICATION 108-2426, BASED ON EIA/ECA-364-1000.01A, (CONTROLLED ENVIRONMENT APPLICATIONS) ON MATING INTERFACE, MATTE TIN PLATE OVER NICKEL UNDERPLATE ON COMPLIANT PIN.
 HOUSING - NICKEL PLATE

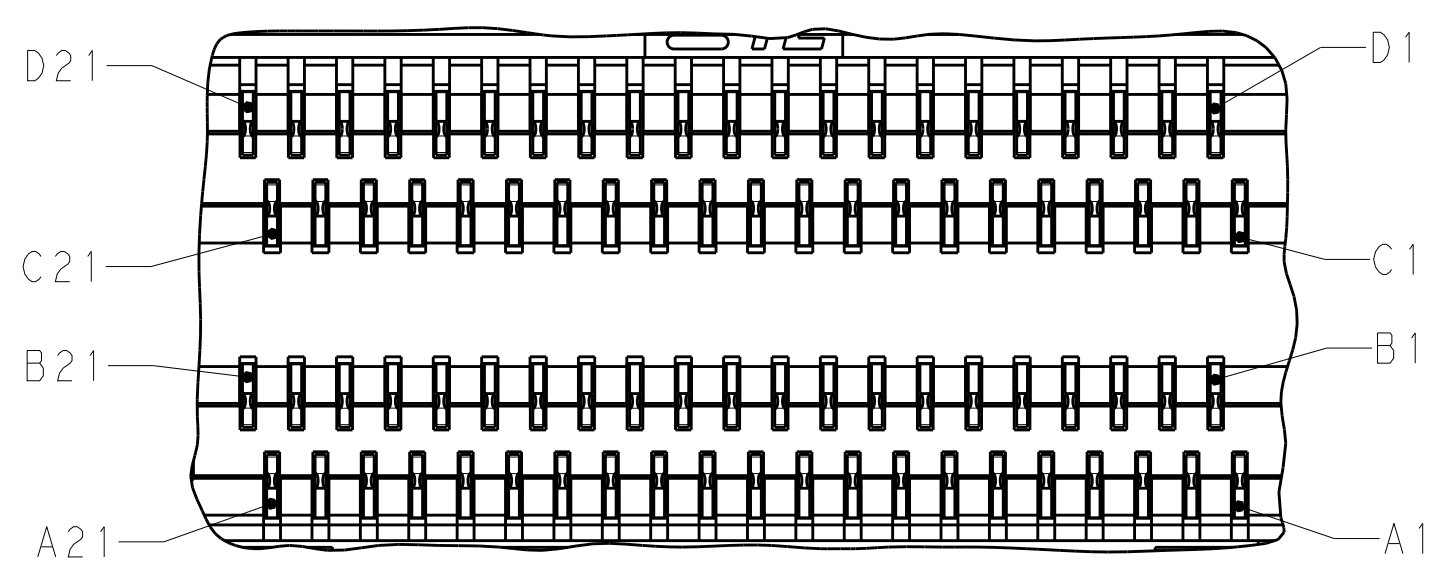
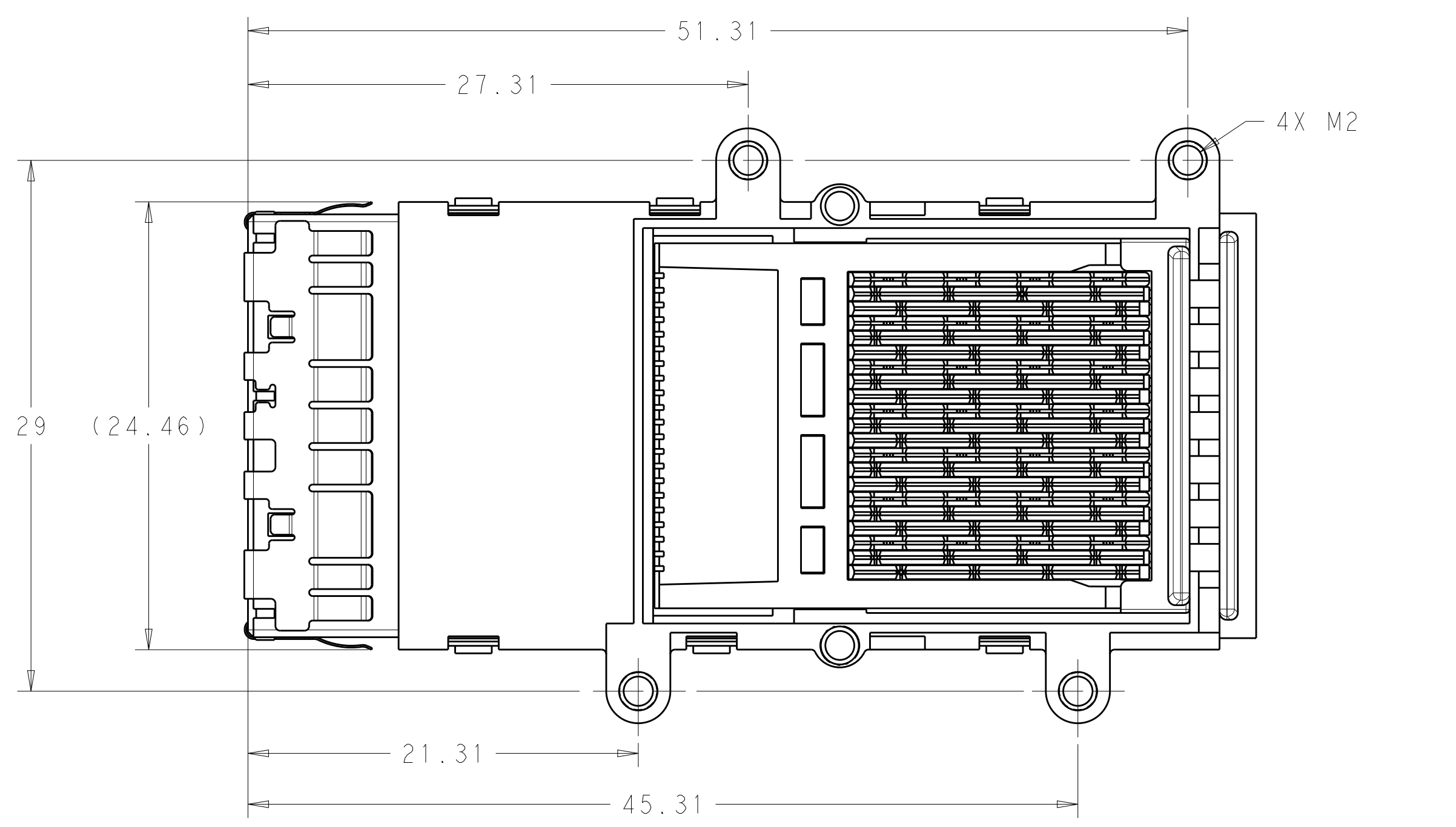
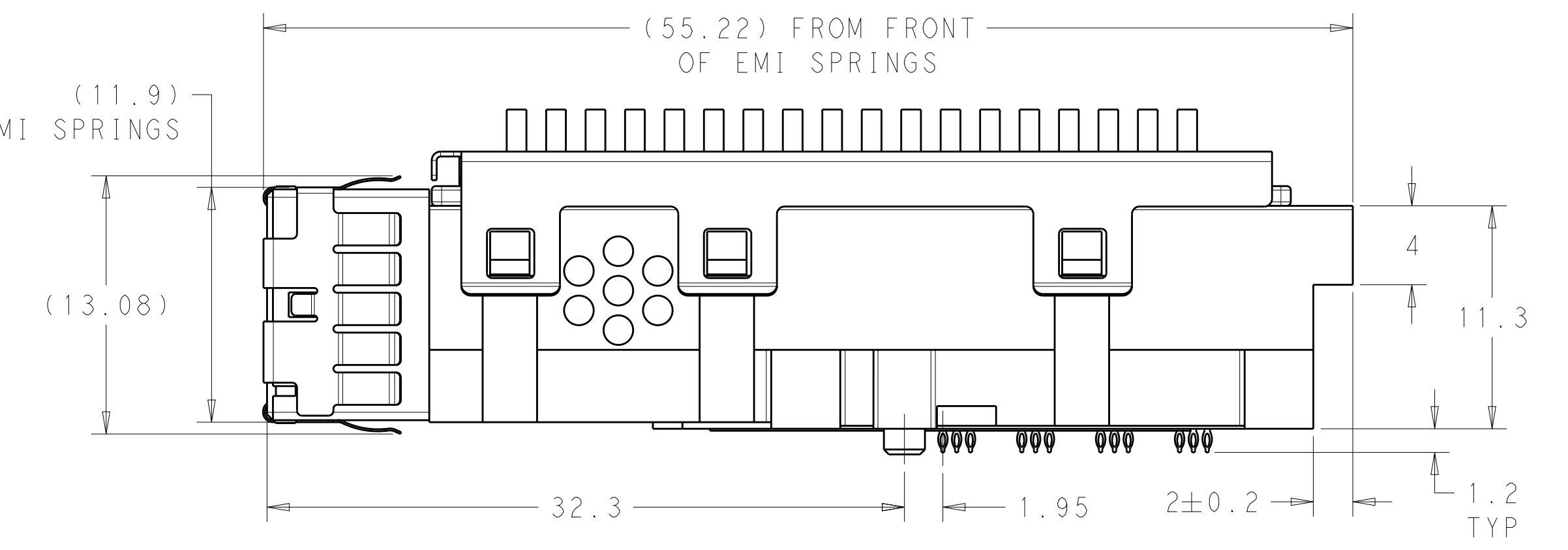
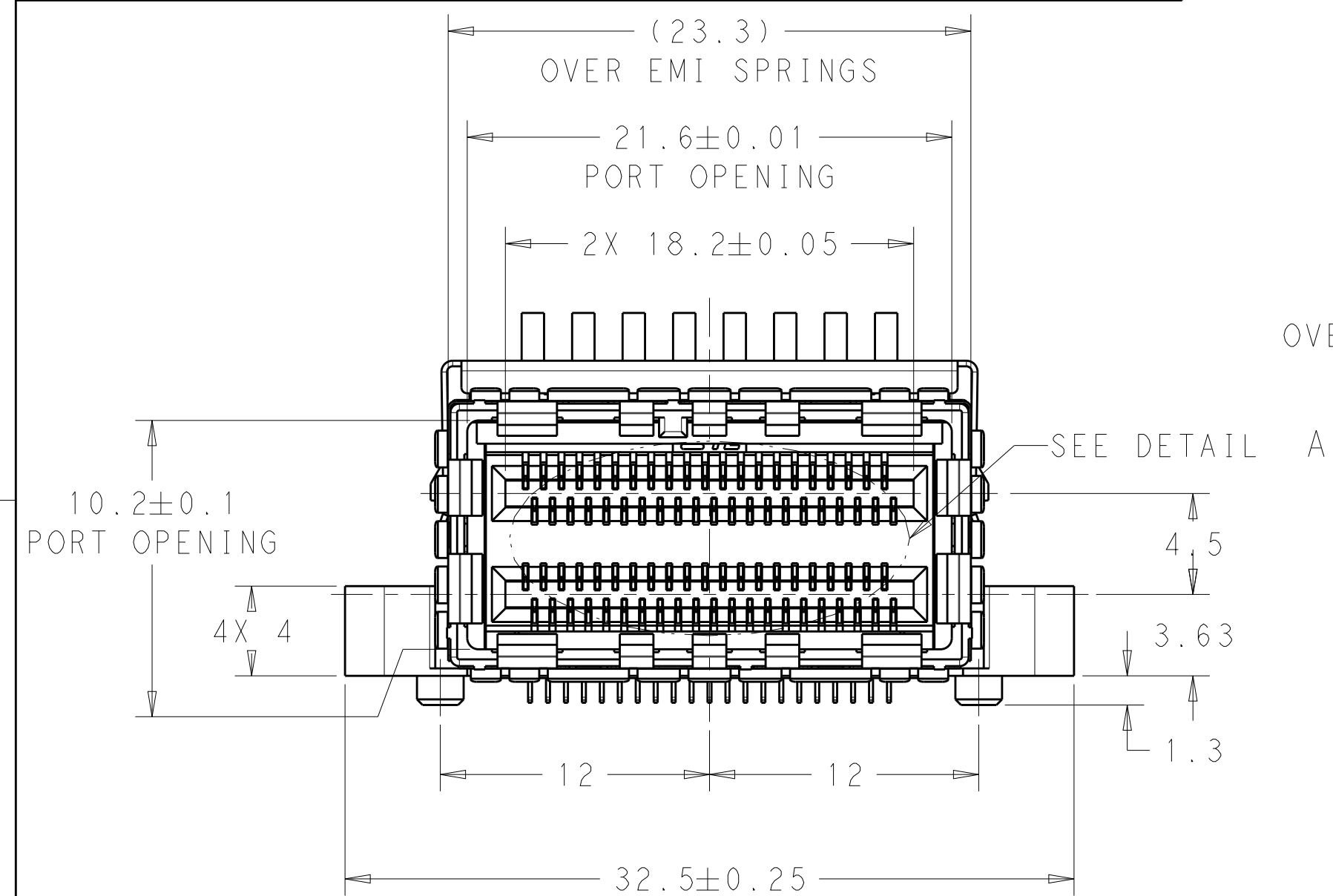
3. PCB THICKNESS = 1.44 MIN
 4. FOR HOLE SIZE AND FINISHES, SEE APPLICATION SPEC 114-13283
 5. THE ENTIRE AREA OF THE CONNECTOR FOOTPRINT, INDICATED BY CROSSHATCHING, TO BE CONSIDERED THE KEEP-OUT AREA FOR COMPONENTS AND SIGNAL TRACES, TOP SIDE ONLY, TOP SIDE TRACES ALLOWED WITHIN CONNECTOR HOLE PATTERN, CROSSHATCHING TO BE CONDUCTIVE
 6. MOUNTING HARDWARE REQUIRED:
 M2x0.4 (4)
 MOUNTING SCREW LENGTH = BOARD THICKNESS PLUS 8mm MAX
 7. COMPONENTS PACKAGED UNASSEMBLED. (CONNECTOR SHOWN ASSEMBLED)

23.18±0.5	84 POSITION RECEPTACLE KIT WITH HEAT SINK	2274306-3
16.18±0.5	84 POSITION RECEPTACLE KIT WITH HEAT SINK	2274306-2
13.88±0.5	84 POSITION RECEPTACLE KIT WITH HEAT SINK	2274306-1
D	DESCRIPTION	PART NUMBER

THIS DRAWING IS A CONTROLLED DOCUMENT. DIMENSIONING AND TOLERANCING PER ASME Y14.5M-2009		DWN B. MATTHEWS 02OCT2013	TE Connectivity
DIMENSIONS: mm		CHK S. BOLASH 02OCT2013	
TOLERANCES UNLESS OTHERWISE SPECIFIED:		APVD S. BOLASH 02OCT2013	
0 PLC ±0.15 1 PLC ±0.15 2 PLC ±0.15 3 PLC ± 4 PLC ± ANGLES ±1° FINISH		PRODUCT SPEC 108-2426 APPLICATION SPEC 114-13283 WEIGHT -	
MATERIAL		NAME RECEPTACLE KIT WITH HEAT SINK, BELLY-BELLY, STANDARD, 84 POSITION, CXP	RESTRICTED TO -
		SIZE A200779 CAGE CODE C-2274306 DRAWING NO. SCALE 4:1	SHEET 1 OF 4
CUSTOMER DRAWING		REV 4	

THIS DRAWING IS UNPUBLISHED. RELEASED FOR PUBLICATION 20
 © COPYRIGHT 20 BY - ALL RIGHTS RESERVED.

LOC	DIST	REVISIONS					
GP	00	P	LTR	DESCRIPTION	DATE	DWN	APVD
		-		SEE SHEET 1			



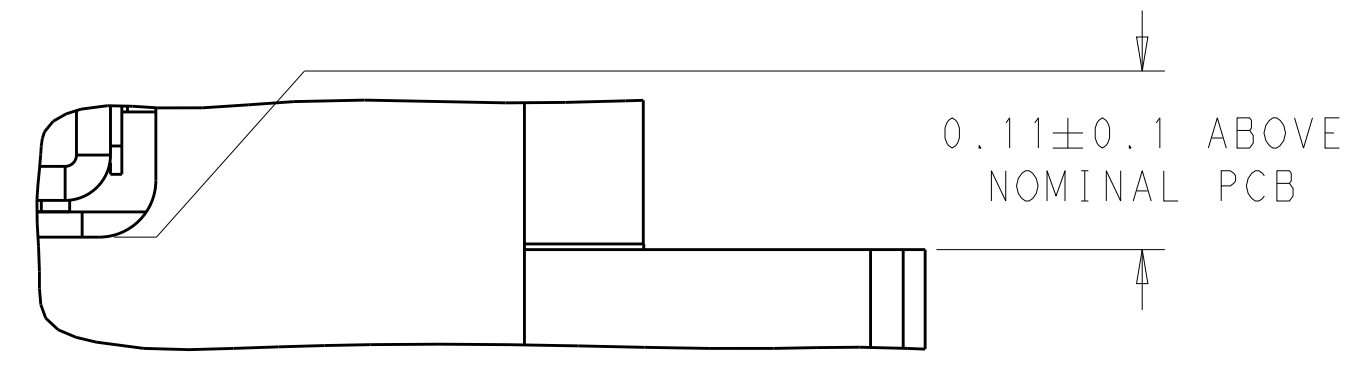
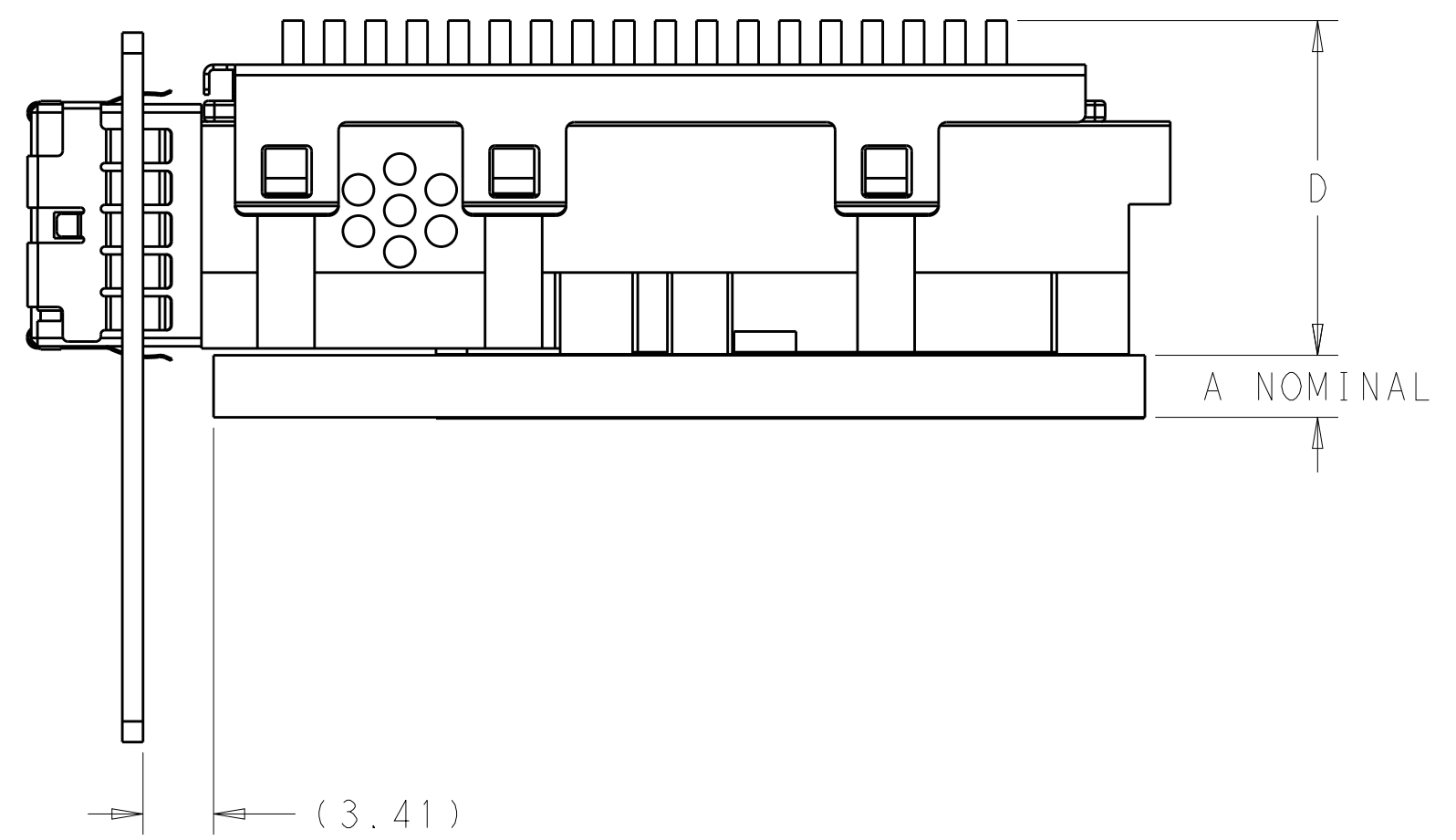
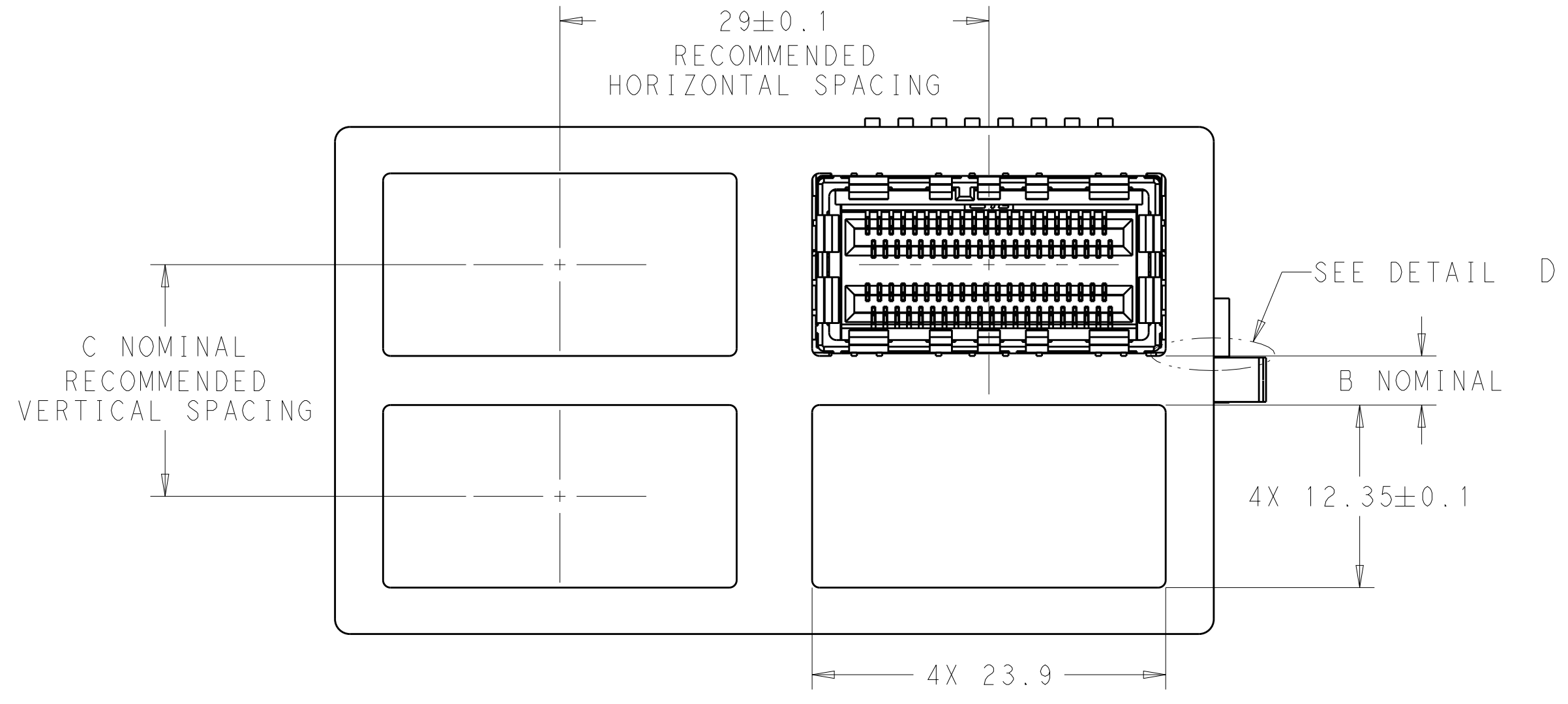
DETAIL A
SCALE 8:1

PRELIMINARY PART- NOT RELEASED FOR PRODUCTION

THIS DRAWING IS A CONTROLLED DOCUMENT.		DWN 02OCT2013 B. MATTHEWS	TE Connectivity
DIMENSIONS: mm		CHK 02OCT2013 S. BOLASH	
TOLERANCES UNLESS OTHERWISE SPECIFIED:		APVD 02OCT2013 S. BOLASH	
0 PLC ±0.15 1 PLC ±0.15 2 PLC ±0.15 3 PLC ± 4 PLC ± ANGLES ±1° FINISH		PRODUCT SPEC 108-2426 APPLICATION SPEC 114-13283 WEIGHT -	
MATERIAL		CUSTOMER DRAWING	NAME RECEPTACLE KIT WITH HEAT SINK, BELLY-BELLY, STANDARD, 84 POSITION, CXP SIZE A200779 CAGE CODE C-2274306 DRAWING NO. - RESTRICTED TO - SCALE 5:1 SHEET 2 OF 4 REV 4

THIS DRAWING IS UNPUBLISHED. RELEASED FOR PUBLICATION 20
 © COPYRIGHT 20 BY - ALL RIGHTS RESERVED.

LOC	DIST	REVISIONS			
P	LTR	DESCRIPTION	DATE	DWN	APVD
GP	00	SEE SHEET 1	-	-	-



DETAIL D
SCALE 15:1

12.57+A	0.22+A	PCB THICKNESS
C	B	A

PRELIMINARY PART- NOT RELEASED FOR PRODUCTION

THIS DRAWING IS A CONTROLLED DOCUMENT. DIMENSIONING AND TOLERANCING PER ASME Y14.5M-2009		DWN B. MATTHEWS 02OCT2013	TE Connectivity	
DIMENSIONS: mm		CHK S. BOLASH 02OCT2013		
TOLERANCES UNLESS OTHERWISE SPECIFIED:		APVD S. BOLASH 02OCT2013	NAME RECEPTACLE KIT WITH HEAT SINK, BELLY-BELLY, STANDARD, 84 POSITION, CXP	
0 PLC ±0.15	1 PLC ±0.15	PRODUCT SPEC 108-2426	SIZE A200779	CAGE CODE C-2274306
2 PLC ±0.15	3 PLC ±	APPLICATION SPEC 114-13283	SCALE 1:1	SHEET 3 OF 4
4 PLC ±	ANGLES ±1°	WEIGHT -	CUSTOMER DRAWING	REV 4
FINISH				