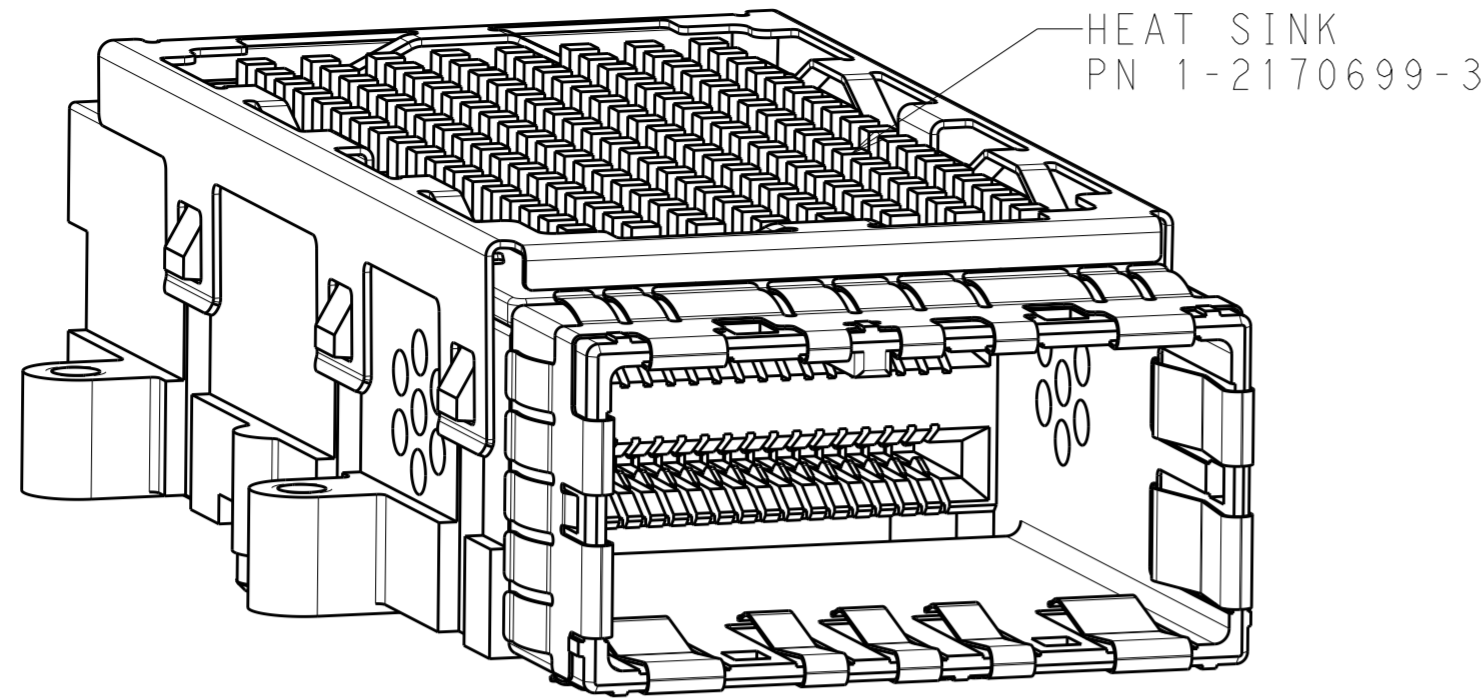
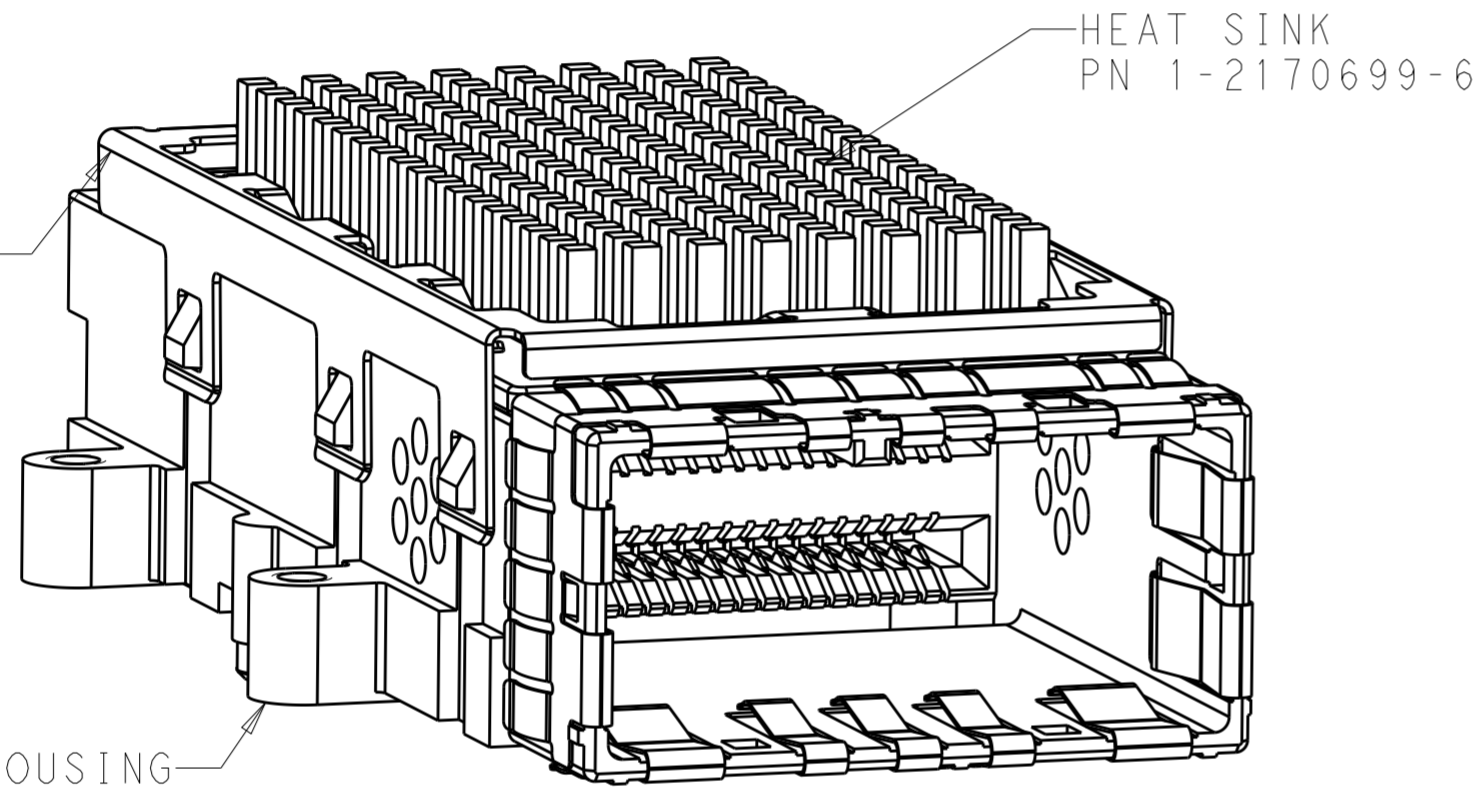


THIS DRAWING IS UNPUBLISHED. RELEASED FOR PUBLICATION 20  
 © COPYRIGHT 20 BY - ALL RIGHTS RESERVED.

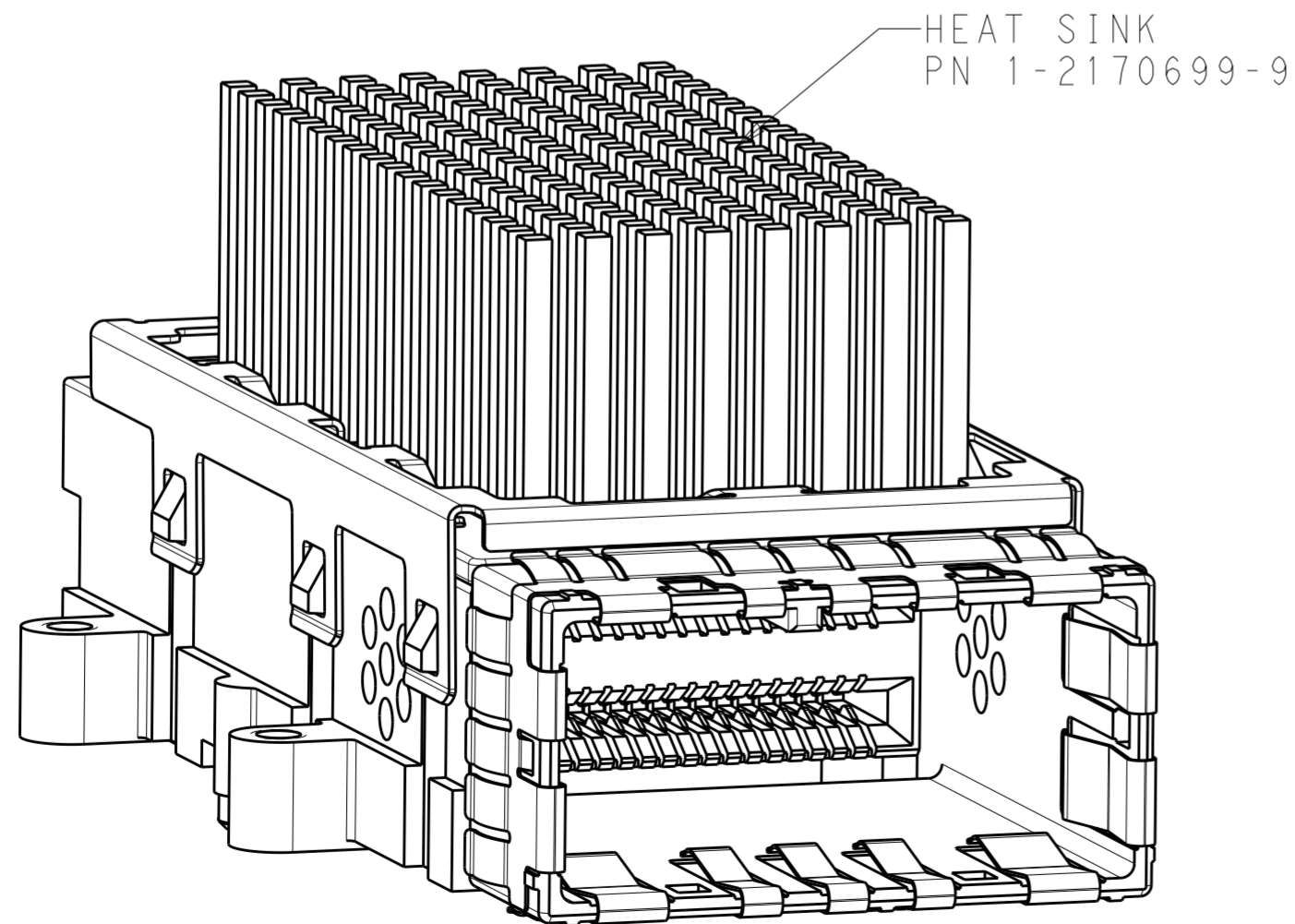
LOC	DIST	REVISIONS					
GP	00	P	LTR	DESCRIPTION	DATE	DWN	APVD
		1		ORIGINAL	02OCT2013	BM	SB
		2		ADDED -3	16APR2014	LAW	SB
		3		UPDATED VIEWS AND HEATSINK PART NUMBERS	08AUG2014	BM	SB
		4		UPDATED HEATSINK PART NUMBERS	03DEC2018	JY	SH



2274306-1



2274306-2



2274306-3

1. MATERIALS:  
 HOUSING - ZINC ALLOY  
 EMI SPRINGS - COPPER ALLOY  
 RECEPTACLE HOUSING - LCP, BLACK, UL 94V-0 RATED  
 CHICKLET - LCP, BLACK, UL 94V-0 RATED  
 CONTACT - PHOSPHOR BRONZE  
 EMI SPRING - COPPER ALLOY  
 HEAT SINK - ALUMINUM  
 CLIP, HEAT SINK - STAINLESS STEEL
2. FINISH:  
 CONTACTS - CONFORMS TO THE REQUIREMENTS OF TE PRODUCT SPECIFICATION 108-2426, BASED ON EIA/ECA-364-1000.01A, (CONTROLLED ENVIRONMENT APPLICATIONS) ON MATING INTERFACE, MATTE TIN PLATE OVER NICKEL UNDERPLATE ON COMPLIANT PIN.  
 HOUSING - NICKEL PLATE
3. PCB THICKNESS = 1.44 MIN
4. FOR HOLE SIZE AND FINISHES, SEE APPLICATION SPEC 114-13283
5. THE ENTIRE AREA OF THE CONNECTOR FOOTPRINT, INDICATED BY CROSSHATCHING, TO BE CONSIDERED THE KEEP-OUT AREA FOR COMPONENTS AND SIGNAL TRACES, TOP SIDE ONLY, TOP SIDE TRACES ALLOWED WITHIN CONNECTOR HOLE PATTERN, CROSSHATCHING TO BE CONDUCTIVE
6. MOUNTING HARDWARE REQUIRED:  
 M2x0.4 (4)  
 MOUNTING SCREW LENGTH = BOARD THICKNESS PLUS 8mm MAX
7. COMPONENTS PACKAGED UNASSEMBLED. (CONNECTOR SHOWN ASSEMBLED)

23.18±0.5	84 POSITION RECEPTACLE KIT WITH HEAT SINK	2274306-3
16.18±0.5	84 POSITION RECEPTACLE KIT WITH HEAT SINK	2274306-2
13.88±0.5	84 POSITION RECEPTACLE KIT WITH HEAT SINK	2274306-1
D	DESCRIPTION	PART NUMBER

THIS DRAWING IS A CONTROLLED DOCUMENT. DIMENSIONING AND TOLERANCING PER ASME Y14.5M-2009

DIMENSIONS: mm

TOLERANCES UNLESS OTHERWISE SPECIFIED:  
 0 PLC ±0.15  
 1 PLC ±0.15  
 2 PLC ±0.15  
 3 PLC ±  
 4 PLC ±  
 ANGLES ±1°  
 FINISH

DWN: B. MATTHEWS 02OCT2013  
 CHK: S. BOLASH 02OCT2013  
 APVD: S. BOLASH 02OCT2013

PRODUCT SPEC: 108-2426  
 APPLICATION SPEC: 114-13283  
 WEIGHT: -

STE TE Connectivity

NAME: RECEPTACLE KIT WITH HEAT SINK, BELLY-BELLY, STANDARD, 84 POSITION, CXP

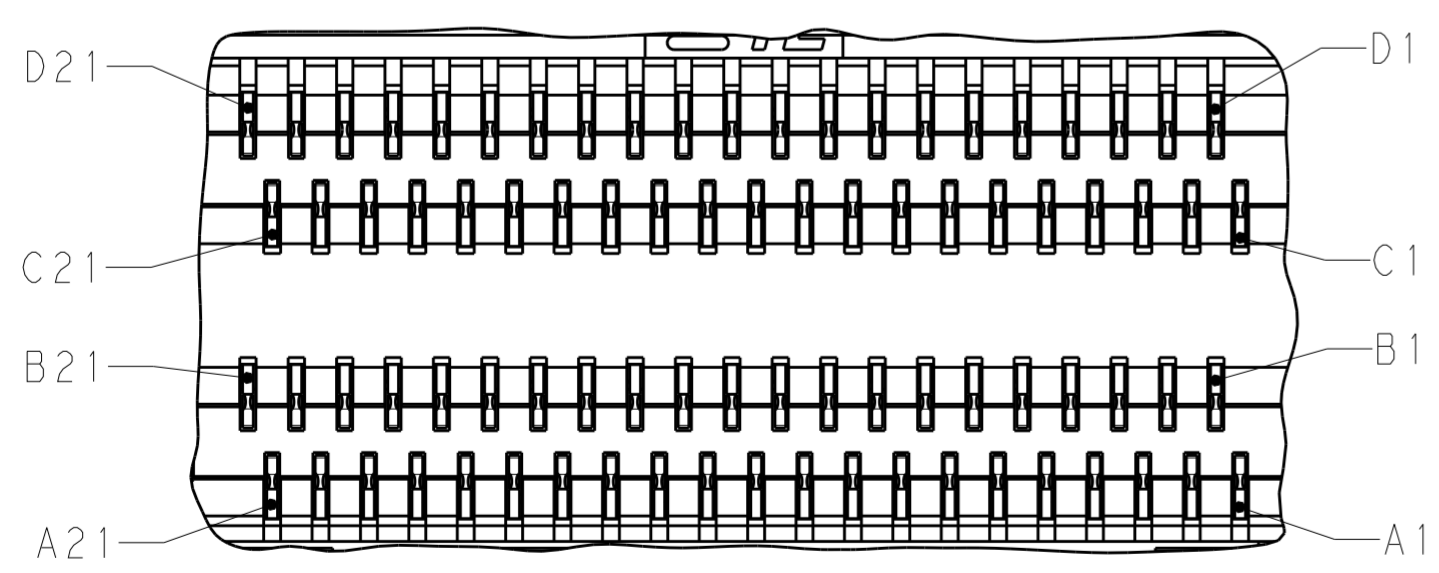
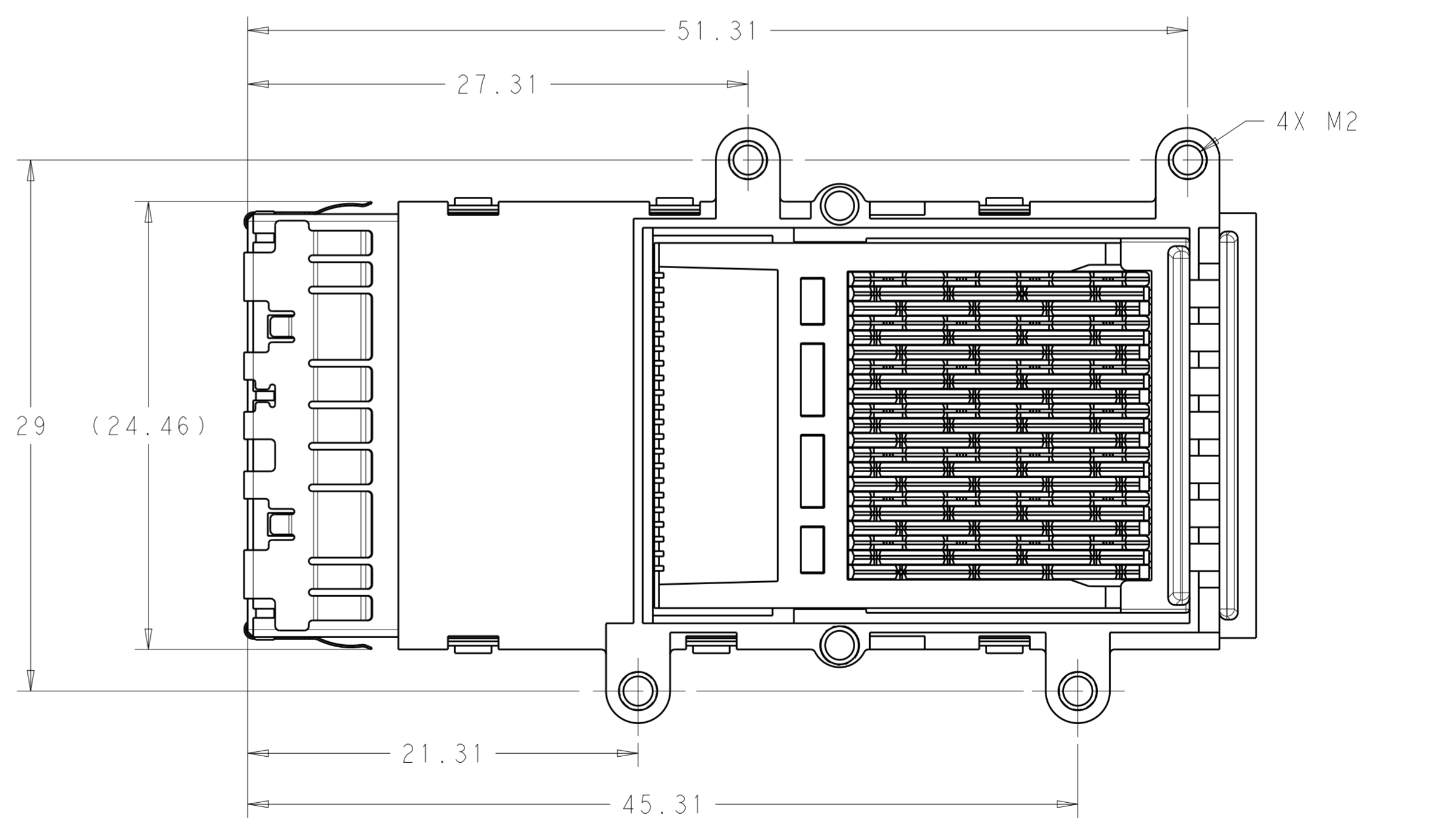
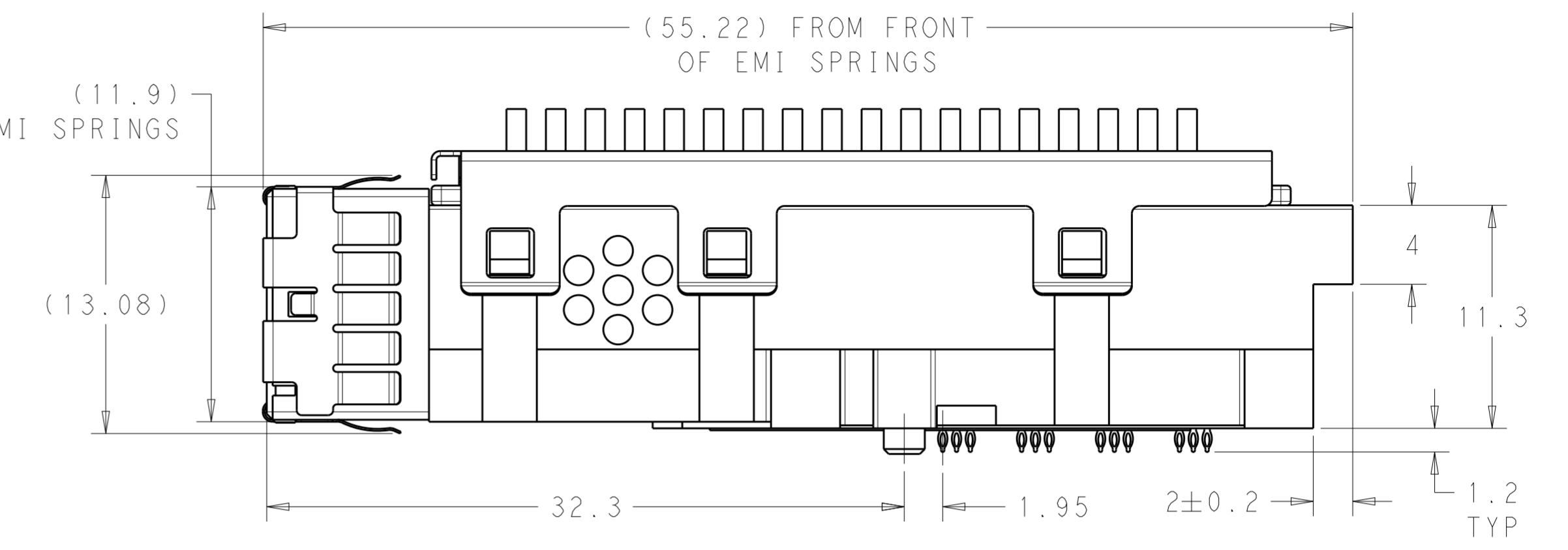
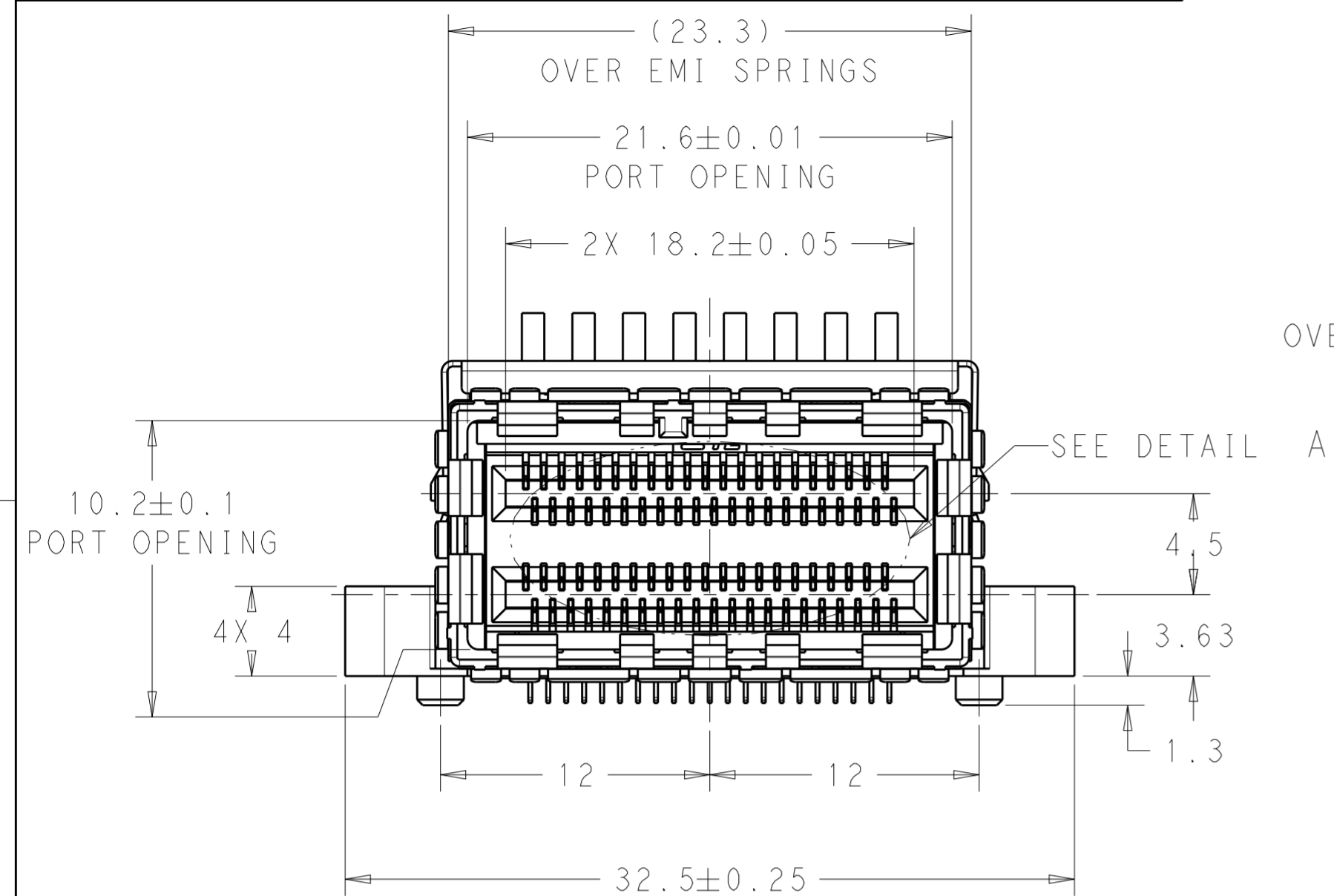
SIZE: A2 CAGE CODE: 00779 DRAWING NO: C-2274306 RESTRICTED TO: -

CUSTOMER DRAWING SCALE: 4:1 SHEET 1 OF 4 REV 4

PRELIMINARY PART- NOT RELEASED FOR PRODUCTION

THIS DRAWING IS UNPUBLISHED. RELEASED FOR PUBLICATION 20  
 © COPYRIGHT 20 BY - ALL RIGHTS RESERVED.

LOC	DIST	REVISIONS					
GP	00	P	LTR	DESCRIPTION	DATE	DWN	APVD
		-		SEE SHEET 1			



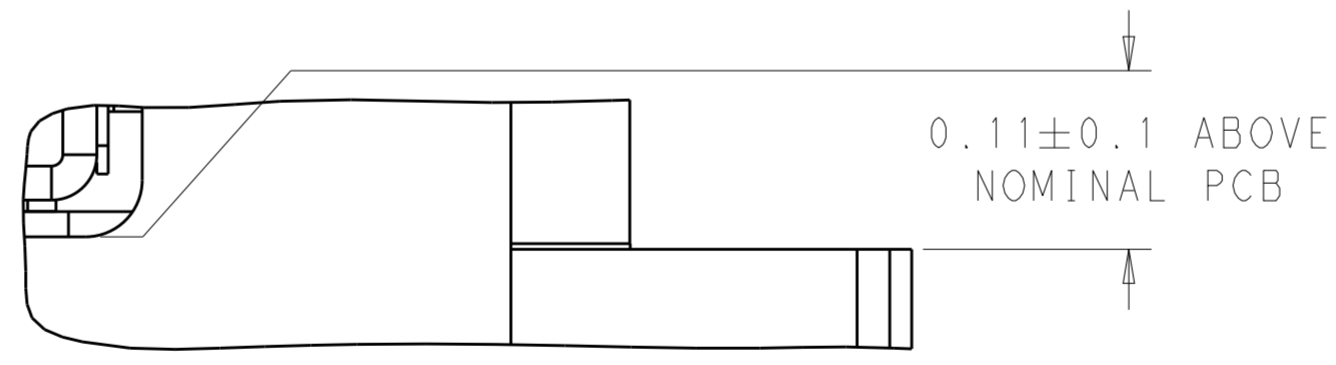
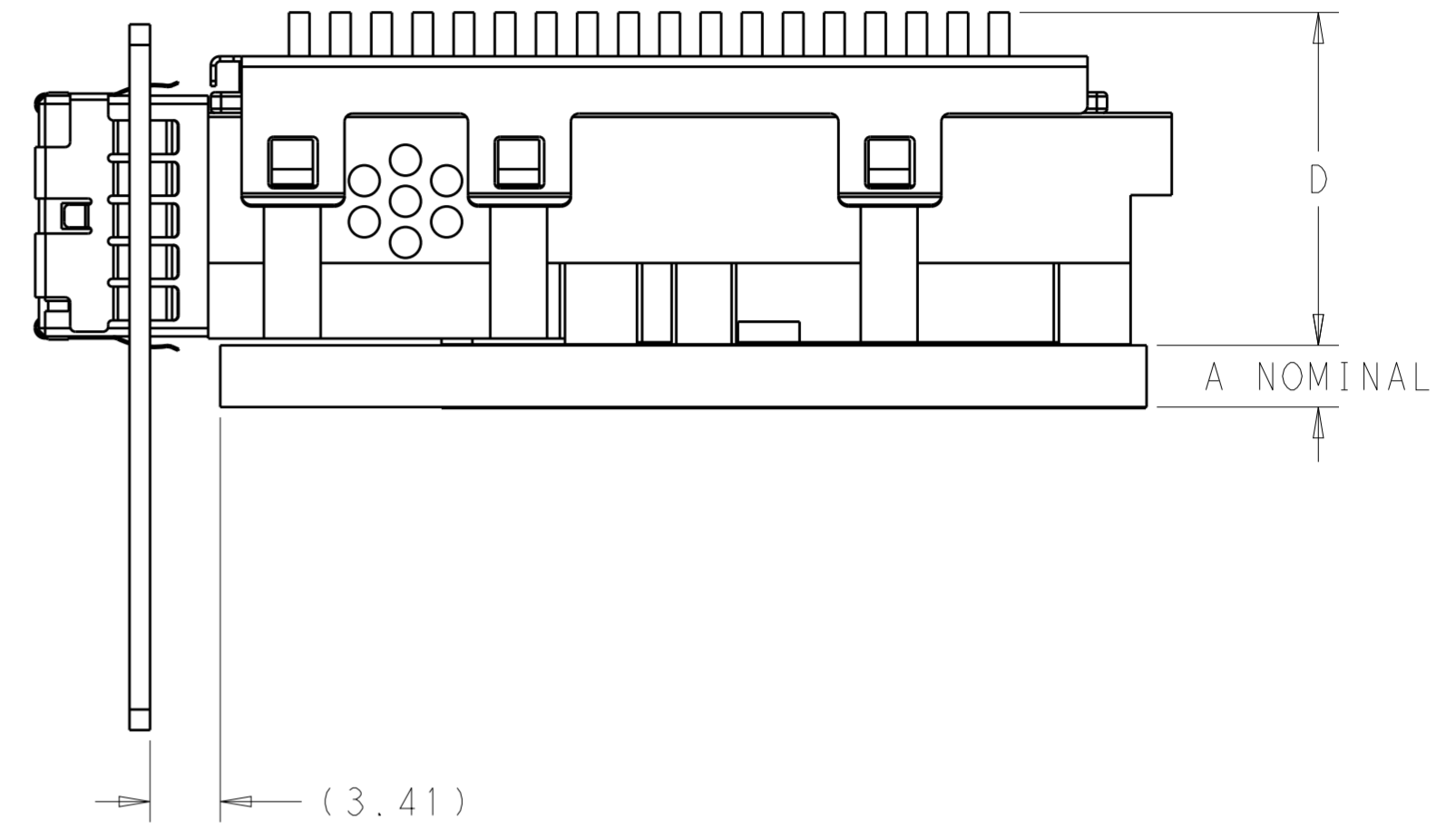
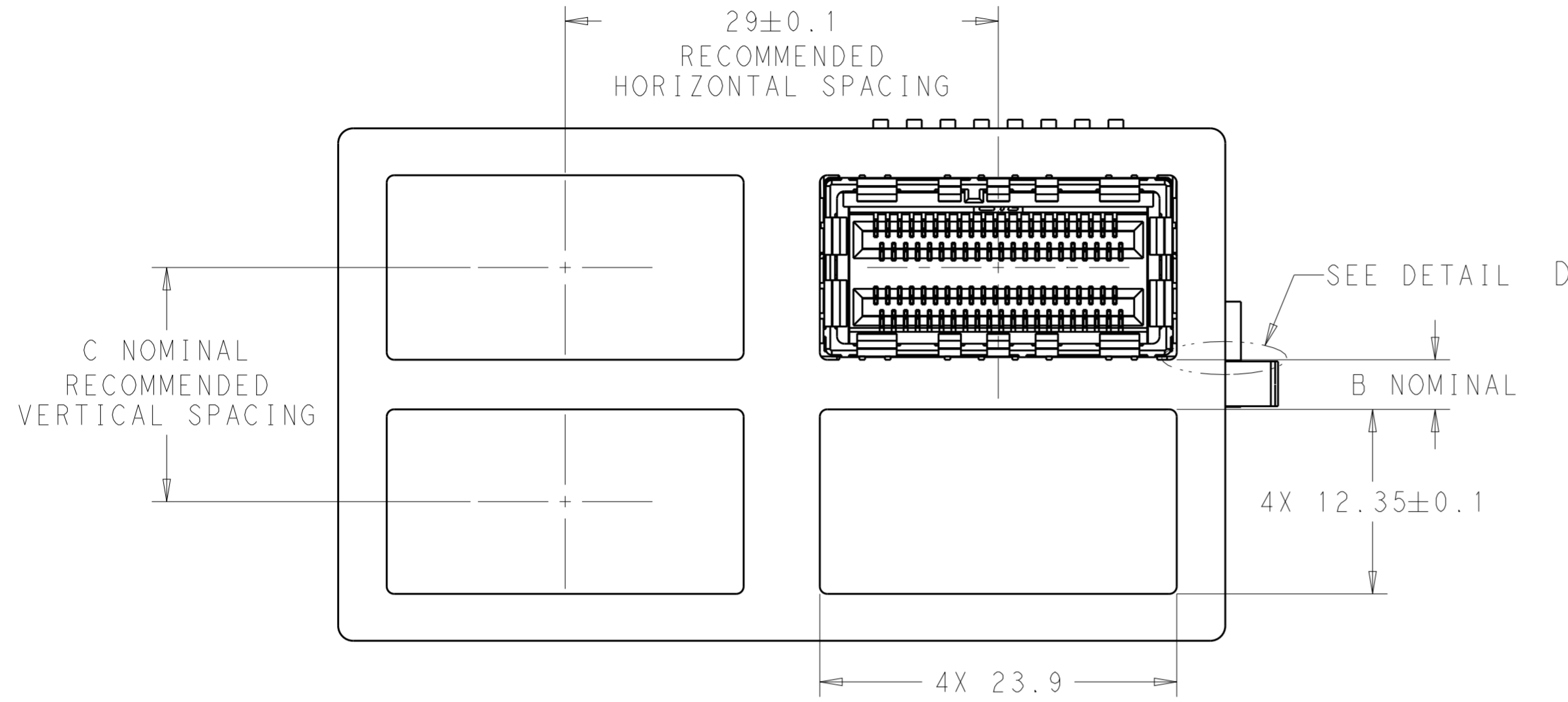
DETAIL A  
SCALE 8:1

PRELIMINARY PART- NOT RELEASED FOR PRODUCTION

THIS DRAWING IS A CONTROLLED DOCUMENT.		DWN 02OCT2013 B. MATTHEWS	TE Connectivity NAME RECEPTACLE KIT WITH HEAT SINK, BELLY-BELLY, STANDARD, 84 POSITION, CXP
DIMENSIONS: mm		CHK 02OCT2013 S. BOLASH	
TOLERANCES UNLESS OTHERWISE SPECIFIED:		APVD 02OCT2013 S. BOLASH	
0 PLC ±0.15 1 PLC ±0.15 2 PLC ±0.15 3 PLC ± 4 PLC ± ANGLES ±1° FINISH		PRODUCT SPEC 108-2426 APPLICATION SPEC 114-13283 WEIGHT - CUSTOMER DRAWING	
MATERIAL		SIZE A200779	CAGE CODE C-2274306 DRAWING NO. - RESTRICTED TO - SCALE 5:1 SHEET 2 OF 4 REV 4

THIS DRAWING IS UNPUBLISHED. RELEASED FOR PUBLICATION 20  
 © COPYRIGHT 20 BY - ALL RIGHTS RESERVED.

LOC	DIST	REVISIONS					
GP	00	P	LTR	DESCRIPTION	DATE	DWN	APVD
		-		SEE SHEET 1			



DETAIL D  
SCALE 15:1

12.57+A	0.22+A	PCB THICKNESS
C	B	A

PRELIMINARY PART- NOT RELEASED FOR PRODUCTION

THIS DRAWING IS A CONTROLLED DOCUMENT. DIMENSIONING AND TOLERANCING PER ASME Y14.5M-2009		DWN B. MATTHEWS 02OCT2013	TE Connectivity	
DIMENSIONS: mm		CHK S. BOLASH 02OCT2013		
TOLERANCES UNLESS OTHERWISE SPECIFIED:		APVD S. BOLASH 02OCT2013	NAME RECEPTACLE KIT WITH HEAT SINK, BELLY-BELLY, STANDARD, 84 POSITION, CXP	
0 PLC ±0.15	1 PLC ±0.15	PRODUCT SPEC 108-2426	SIZE A200779	CAGE CODE C-2274306
2 PLC ±0.15	3 PLC ±	APPLICATION SPEC 114-13283	SCALE 1:1	SHEET 3 OF 4
4 PLC ±	ANGLES ±1°	WEIGHT -	CUSTOMER DRAWING	REV 4
FINISH				