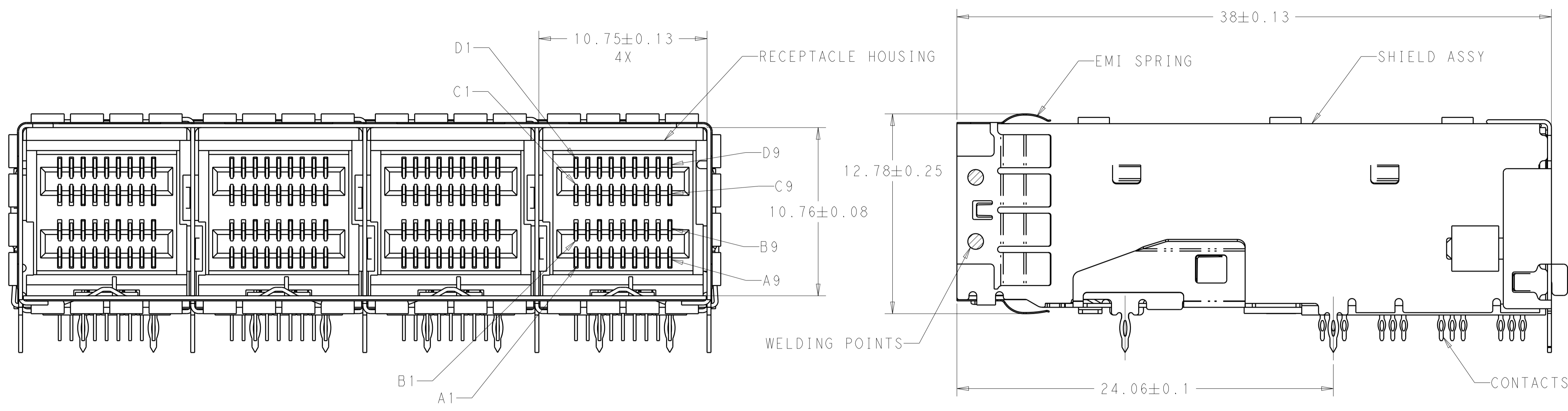
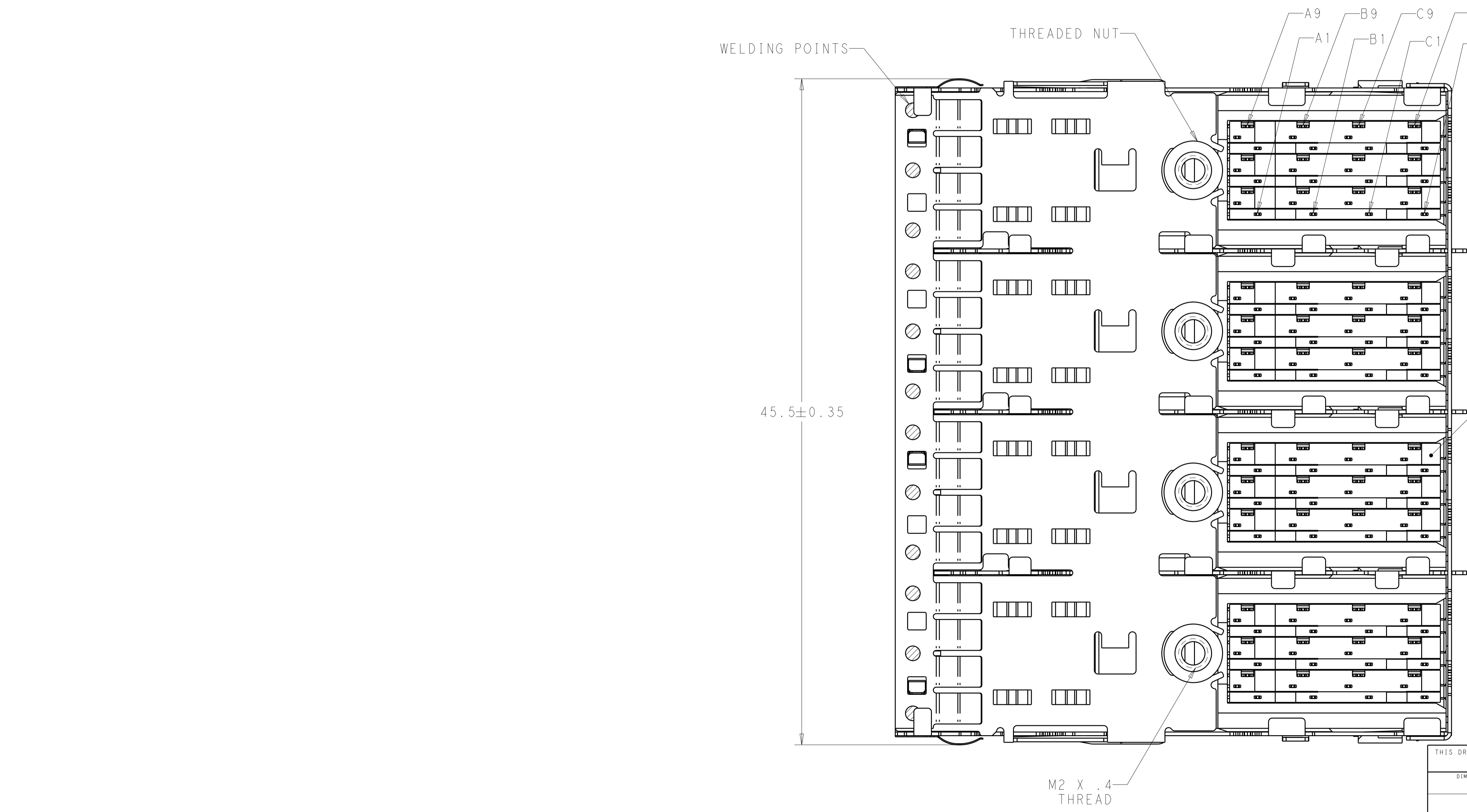


LOC		DIST		REVISIONS			
P	LTN	DESCRIPTION	DATE	DMN	APVD		
A		INITIAL RELEASE	18FEB2014	BM	DG		
B		REVISED PER ECO-15-013876	19JUN2016	JY	SH		



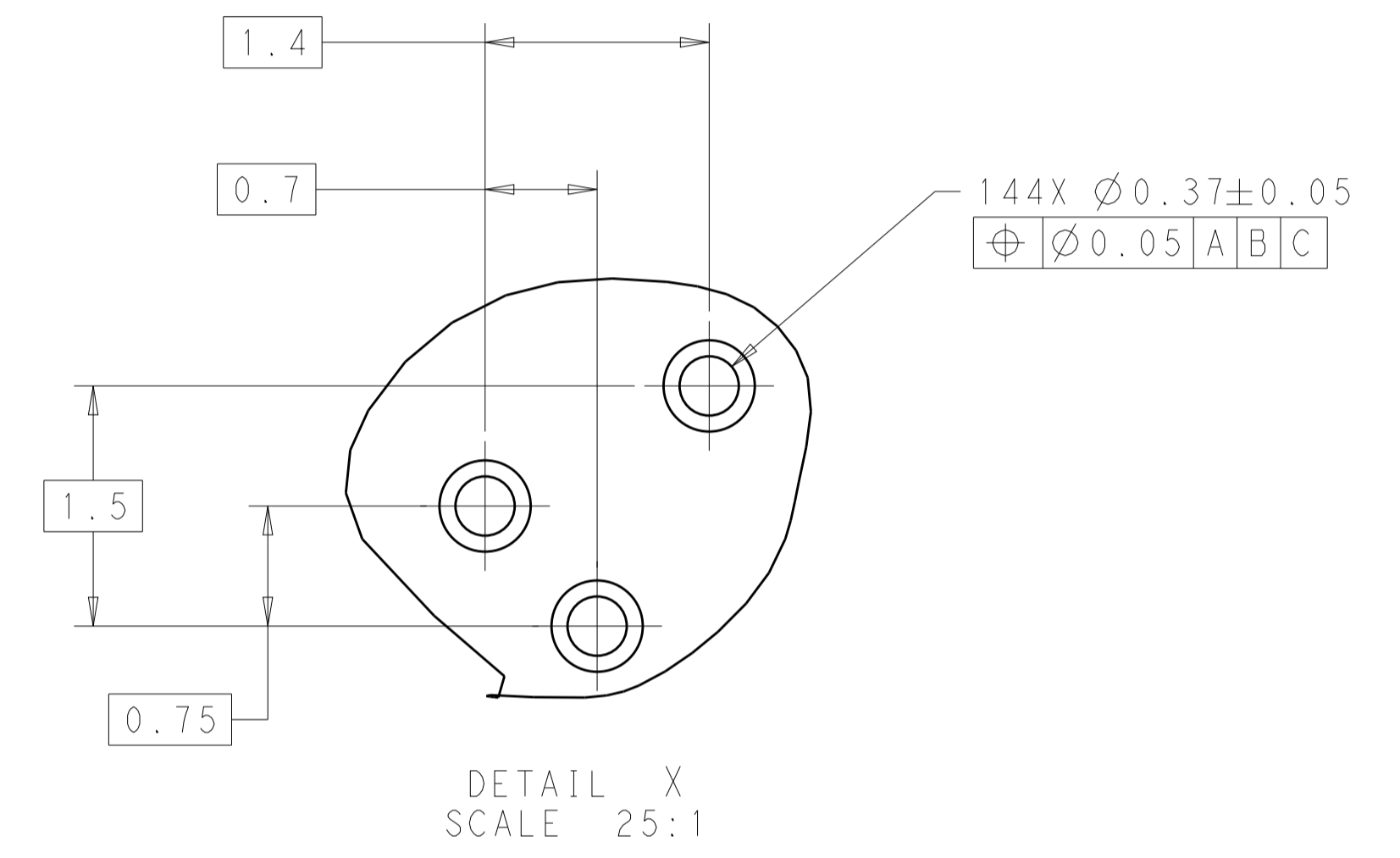
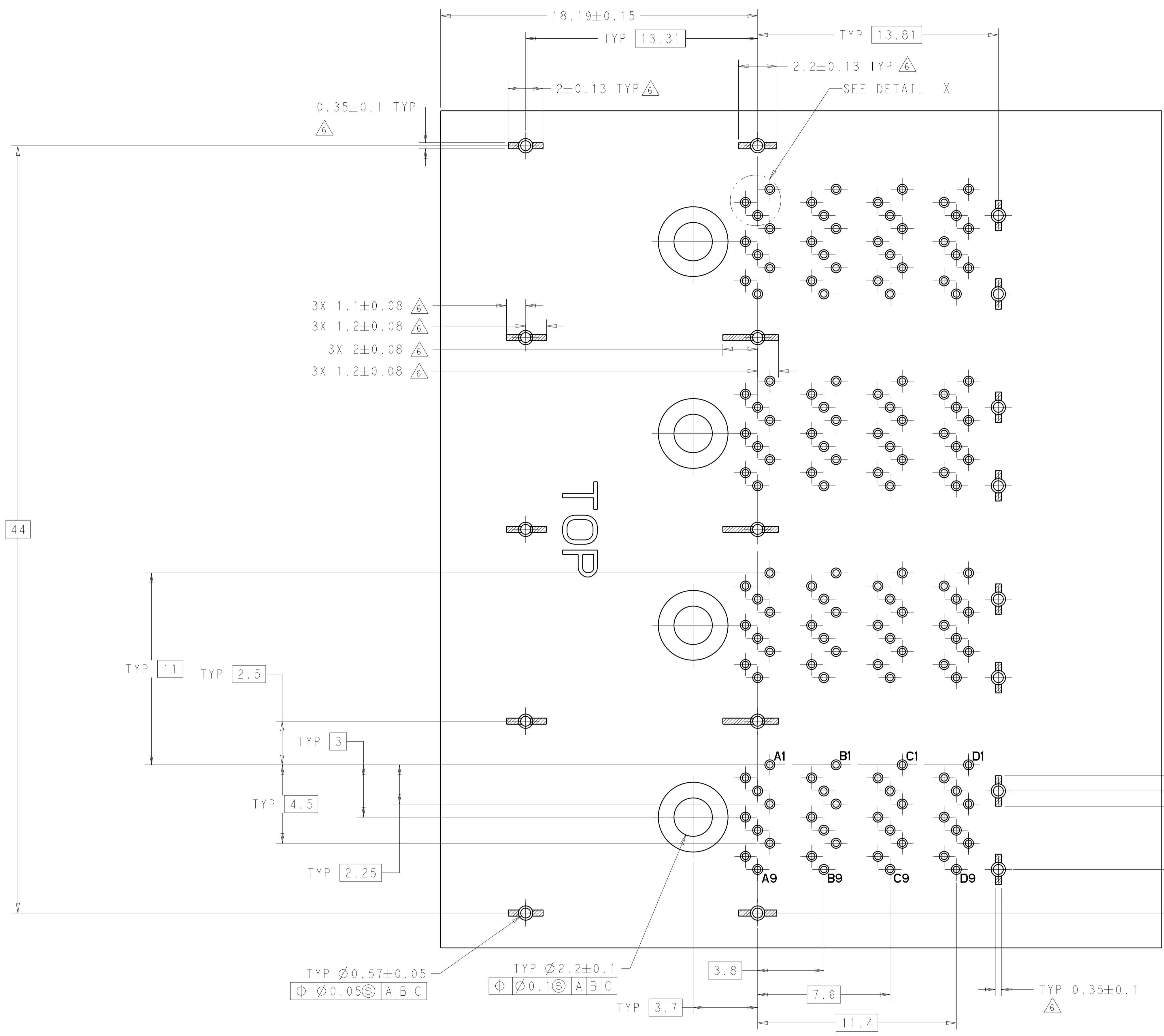
1. MATERIALS
 RECEPTACLE HOUSING, LCP, BLACK, UL94V-0 RATED
 SHIELD ASSY: NICKEL SILVER COPPER ALLOY
 CONTACTS: COPPER ALLOY
 EMI SPRING: COPPER ALLOY
 THREADED NUT: BRASS
 CHICKLETS: LCP, BLACK, UL 94V-0 RATED
 2. FINISH
 EMI SPRING: TIN PLATE OVER NICKEL PLATE
 NON-PLATED EDGES PERMISSABLE
 THREADED NUT: NICKEL PLATE
- △ CONTACT FINISH: 0.76µm MIN GOLD PLATE IN CONTACT AREA, 1.25µm MIN TIN ON PCB TAILS. ALL OVER 1.27µm MIN NICKEL UNDERPLATE.
4. THREAD LENGTH OF FASTENER = PCB THICKNESS+1.45 MAX
 5. THIS PRODUCT HAS NOT COMPLETED VALIDATION/QUALIFICATION TESTING
- △ RECOMMENDED TRACE KEEP OUT ZONE



2274680-1
PART NUMBER

THIS DRAWING IS A CONTROLLED DOCUMENT.		DMN B. MATTHEWS 18FEB2014	18FEB2014	TE Connectivity NAME RECEPTACLE ASSEMBLY, MINI-SAS HD, 4X
DIMENSIONS:		CHK D. GORENC 18FEB2014	18FEB2014	
TOLERANCES UNLESS OTHERWISE SPECIFIED:		APVD D. GORENC 18FEB2014		RESTRICTED TO
mm	0 PLC ±	PRODUCT SPEC		
	1 PLC ±	108-2462		
	2 PLC ±	APPLICATION SPEC		
	3 PLC ±	114-13316		
	4 PLC ±	WEIGHT		
	ANGLES ±			
MATERIAL	FINISH			
CUSTOMER DRAWING		SCALE	6:1	SHEET 1 OF 3 REV B

LOC		DIST		REVISIONS				
P	LTN	DESCRIPTION	DATE	DWN	APVD			
-	-	SEE SHEET 1	-	-	-			



TYP $\varnothing 0.57 \pm 0.05$
 $\oplus \varnothing 0.05 \text{ A B C}$

TYP $\varnothing 2.2 \pm 0.1$
 $\oplus \varnothing 0.1 \text{ A B C}$

RECOMMENDED PCB LAYOUT

0.97 MIN

THIS DRAWING IS A CONTROLLED DOCUMENT.		DWN: B. MATTHEWS 18FEB2014	TE Connectivity NAME: RECEPTACLE ASSEMBLY, MINI-SAS HD, 4X SIZE: A1 CAGE CODE: 2274680 SCALE: 6:1 SHEET 2 OF 3 REV B
DIMENSIONS: mm		CHK: D. GORENC 18FEB2014	
TOLERANCES UNLESS OTHERWISE SPECIFIED:		APVD: D. GORENC 18FEB2014	
0 PLC ± 1 PLC ± 2 PLC ± 3 PLC ± 4 PLC ± ANGLES ±		PRODUCT SPEC: 108-2462 APPLICATION SPEC: 114-13316 WEIGHT: -	
MATERIAL: -		FINISH: -	CUSTOMER DRAWING