

227602-2 ACTIVE

COAXICON

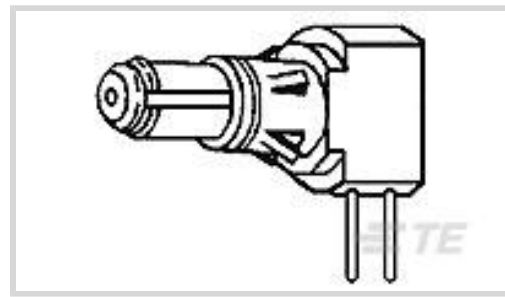
TE Internal #: 227602-2

Coax Contacts, Board-to-Board / Cable-to-Board, 1 Position,
Printed Circuit Board, Right Angle, Pin, Right Angle, Gold

[View on TE.com >](#)



Connectors > RF Coax Connectors > Coax Contacts



Connector System: **Board-to-Board, Cable-to-Board**

Number of Positions: **1**

Sealable: **No**

Connector & Contact Terminates To: **Printed Circuit Board**

PCB Mount Orientation: **Right Angle**

Features

Product Type Features

Connector Type	Coaxial Contacts
Product Type	Contact
Connector System	Board-to-Board, Cable-to-Board
Sealable	No
Connector & Contact Terminates To	Printed Circuit Board

Configuration Features

Number of Positions	1
PCB Mount Orientation	Right Angle

Electrical Characteristics

Impedance Options	Fixed
-------------------	-------

Body Features

Outer Shell Material	Beryllium Copper
Outer Shell Plating Material	Gold
Body Angle	Right Angle

Contact Features

Contact Mating Area Plating Thickness	50 μ m
Contact Type	Pin
RF Connector Center Contact Plating Material	Gold



Contact Mating Retention	Without
--------------------------	---------

Contact Current Rating (Max)	1 A
------------------------------	-----

Mechanical Attachment

Connector Mounting Type	Board Mount
-------------------------	-------------

Dimensions

PCB Thickness (Recommended)	3.18 mm[.125 in]
-----------------------------	------------------

Usage Conditions

Operating Temperature Range	-55 – 125 °C[-67 – 257 °F]
-----------------------------	----------------------------

Operation/Application

Circuit Application	Power & Signal
---------------------	----------------

Packaging Features

Packaging Method	Package
------------------	---------

Product Compliance

[For compliance documentation, visit the product page on TE.com>](#)

EU RoHS Directive 2011/65/EU	Compliant with Exemptions
------------------------------	---------------------------

EU ELV Directive 2000/53/EC	Compliant with Exemptions
-----------------------------	---------------------------

China RoHS 2 Directive MIIT Order No 32, 2016	Restricted Materials Above Threshold
---	--------------------------------------

EU REACH Regulation (EC) No. 1907/2006	<p>Current ECHA Candidate List: JAN 2021 (211) Candidate List Declared Against: JUN 2020 (209) SVHC > Threshold: Pb (4% in Contact/Component)</p>
--	---

Article Safe Usage Statements:

Do not eat, drink or smoke when using this product. Wash thoroughly after handling. Recycle if possible and dispose of the article by following all applicable governmental regulations relevant to your geographic location.

Halogen Content	Not Yet Reviewed for halogen content
-----------------	--------------------------------------

Solder Process Capability	Not applicable for solder process capability
---------------------------	--

Product Compliance Disclaimer

This information is provided based on reasonable inquiry of our suppliers and represents our current actual knowledge based on the information they provided. This information is subject to change. The part numbers that TE has identified as EU RoHS compliant have a maximum concentration of 0.1% by weight in homogenous materials for lead, hexavalent chromium, mercury, PBB, PBDE, DBP, BBP, DEHP, DIBP, and 0.01% for cadmium, or qualify for an exemption to these limits as defined in the Annexes of Directive 2011/65/EU (RoHS2). Finished electrical and electronic equipment products will be CE marked as required by Directive 2011/65/EU. Components may not be CE marked. Additionally, the part numbers that TE has identified as EU ELV compliant have a maximum concentration of 0.1% by weight in homogenous materials for lead, hexavalent chromium, and mercury, and 0.01% for cadmium, or qualify for an exemption to these limits as defined in the Annexes of Directive 2000/53/EC (ELV). Regarding the REACH Regulation, the information TE provides on SVHC in articles for this part number is based on the latest European Chemicals Agency (ECHA) 'Guidance on

requirements for substances in articles' posted at this URL: <https://echa.europa.eu/guidance-documents/guidance-on-reach>

Customers Also Bought



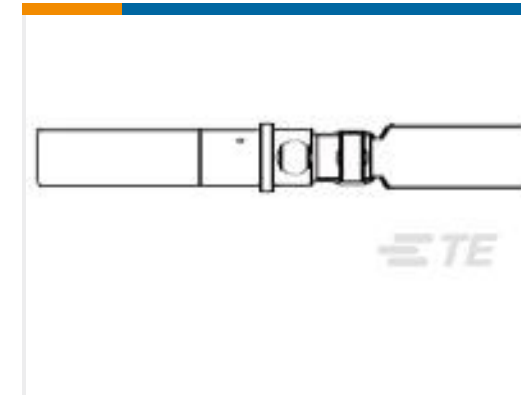
TE Part #YACT26JB35PDV00100
STRAIGHT PLUG



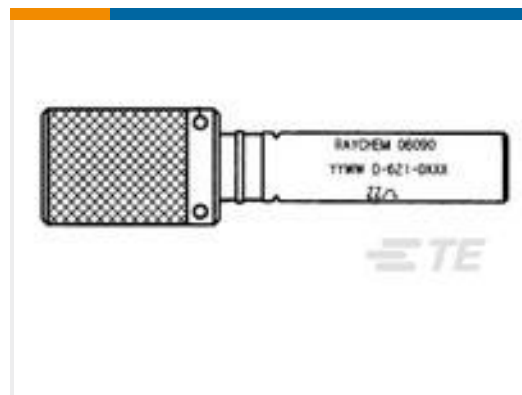
TE Part #2-1617029-0
HFW1130L01M = M39016/6-132M



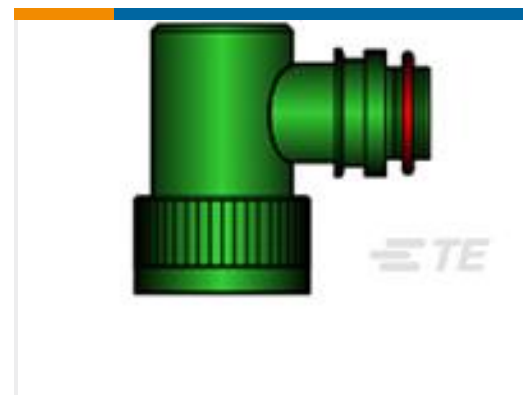
TE Part #211111-4
AMPLIMITE,SHELL,PLUG 11C1,TIN



TE Part #251913-000
D-602-0093



TE Part #601201-000
D-621-0013



TE Part #444671-000
TXR41AB90-2412AI

Documents

CAD Files

3D PDF

3D

Customer View Model

[ENG_CVM_CVM_227602-2_S_c-227602-2-s.2d_dxf.zip](#)

English

Customer View Model

[ENG_CVM_CVM_227602-2_S_c-227602-2-s.3d_igs.zip](#)

English

Customer View Model

[ENG_CVM_CVM_227602-2_S_c-227602-2-s.3d_stp.zip](#)

English

By downloading the CAD file I accept and agree to the [Terms and Conditions](#) of use.

Datasheets & Catalog Pages

Products for Aerospace and Defense

English

Product Specifications

Application Specification

English

COAXICON Microminiature R.F. Coaxial Contacts