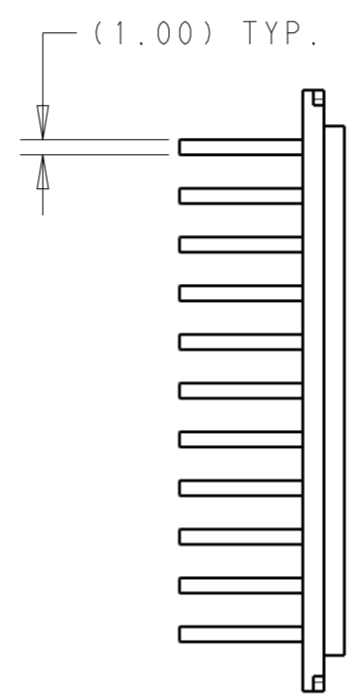
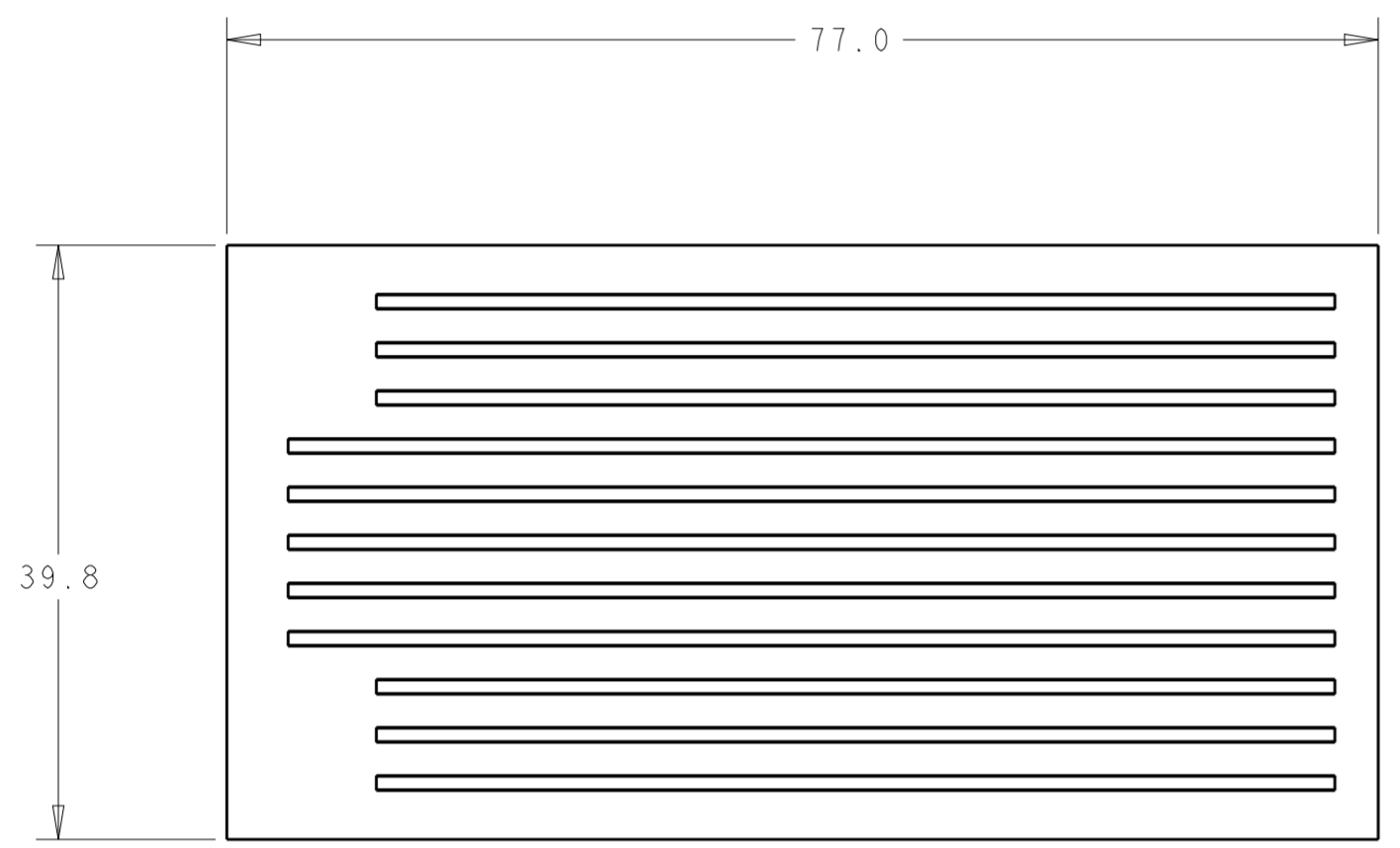
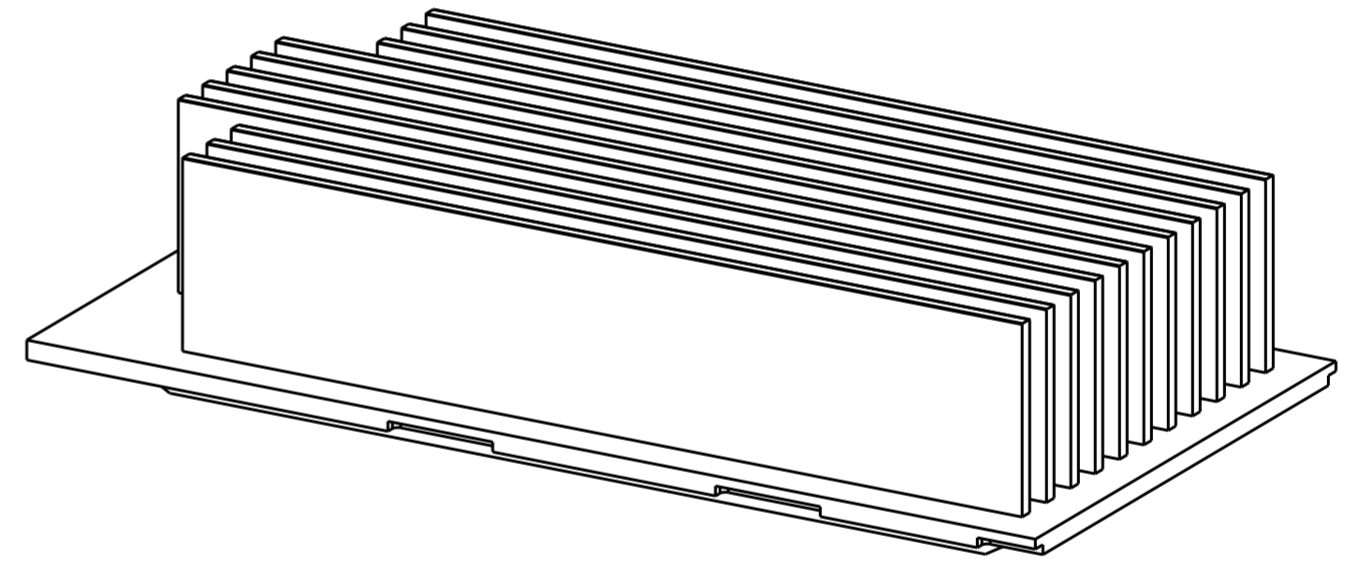


THIS DRAWING IS UNPUBLISHED. RELEASED FOR PUBLICATION 20
 © COPYRIGHT 20 BY - ALL RIGHTS RESERVED.

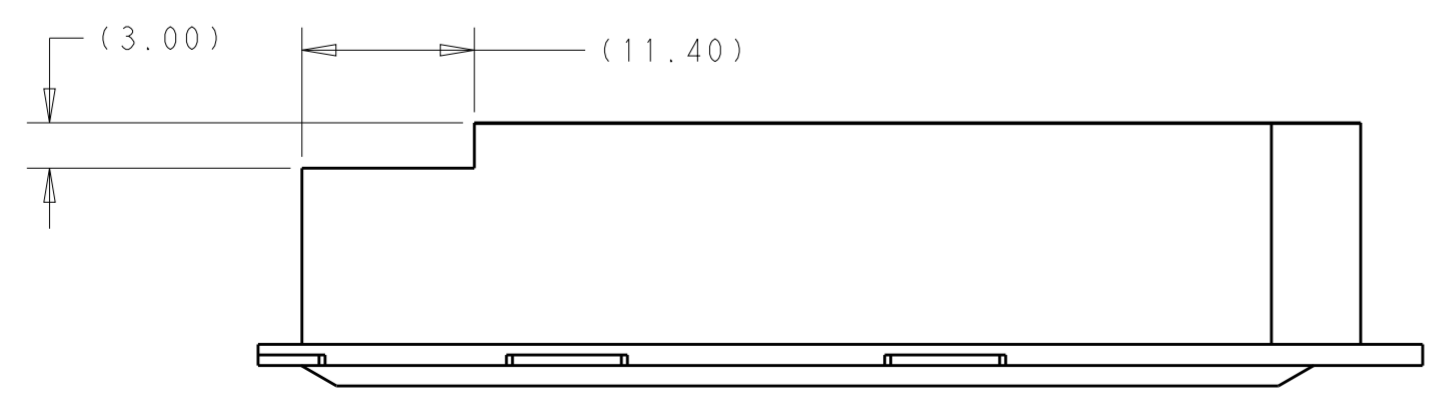
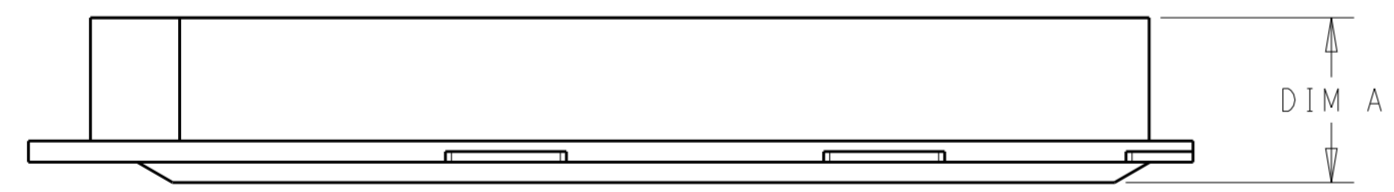
REVISIONS				
P	LTR	DESCRIPTION	DATE	APVD
	A	INITIAL RELEASE	10JUL2018	AD SH



- 1 MATERIAL: ALUMINUM ALLOY;
- 2 FINISH: ELECTROLESS NICKEL;
- 3 FINISH: ANODIZED BLACK;
- 4. 0.2mm MAX BURR PERMISSIBLE
- 5. VARIATION IN PLATING COLOR IS NORMAL AND ALLOWED



2288218-6 AS SHOWN
SCALE 2:1



2288218-8 AS SHOWN
UNSPECIFIED DIMENSION SAME AS 2288218-1

17.4	3	2288218-8
16.35	3	2288218-6
10.9	3	2288218-3
DIM. A	FINISH	PART NUMBER

THIS DRAWING IS A CONTROLLED DOCUMENT.		DWN ANDY XIE 11OCT2016	STE TE Connectivity	
DIMENSIONS: mm		CHK SEAN HAN 11OCT2016		
TOLERANCES UNLESS OTHERWISE SPECIFIED:		APVD SEAN HAN 11OCT2016	NAME CFP2 HEAT SINK	
0 PLC ±		PRODUCT SPEC	-	
1 PLC ±0.3		APPLICATION SPEC	-	
2 PLC ±0.25		WEIGHT	-	
3 PLC ±		CUSTOMER DRAWING	SCALE 1:1	SHEET 1 OF 1
4 PLC ±			REV A	
ANGLES ±				
FINISH				