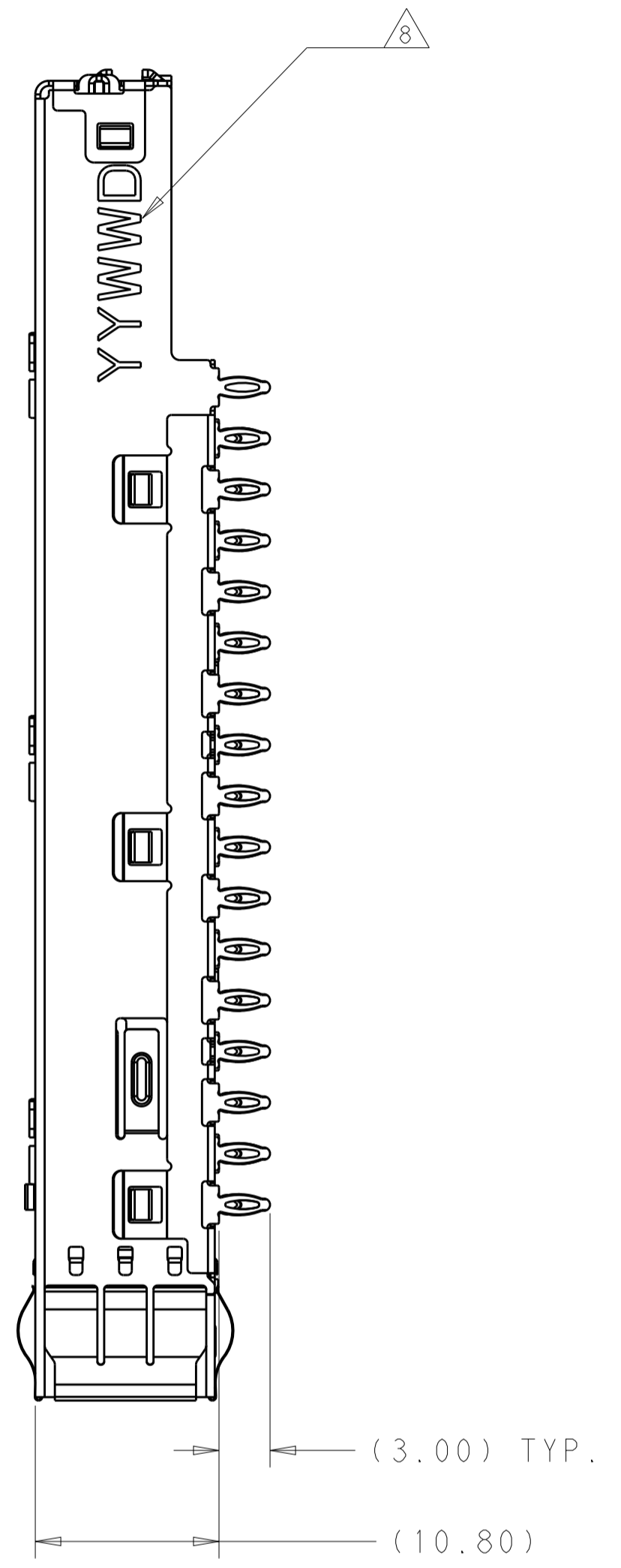
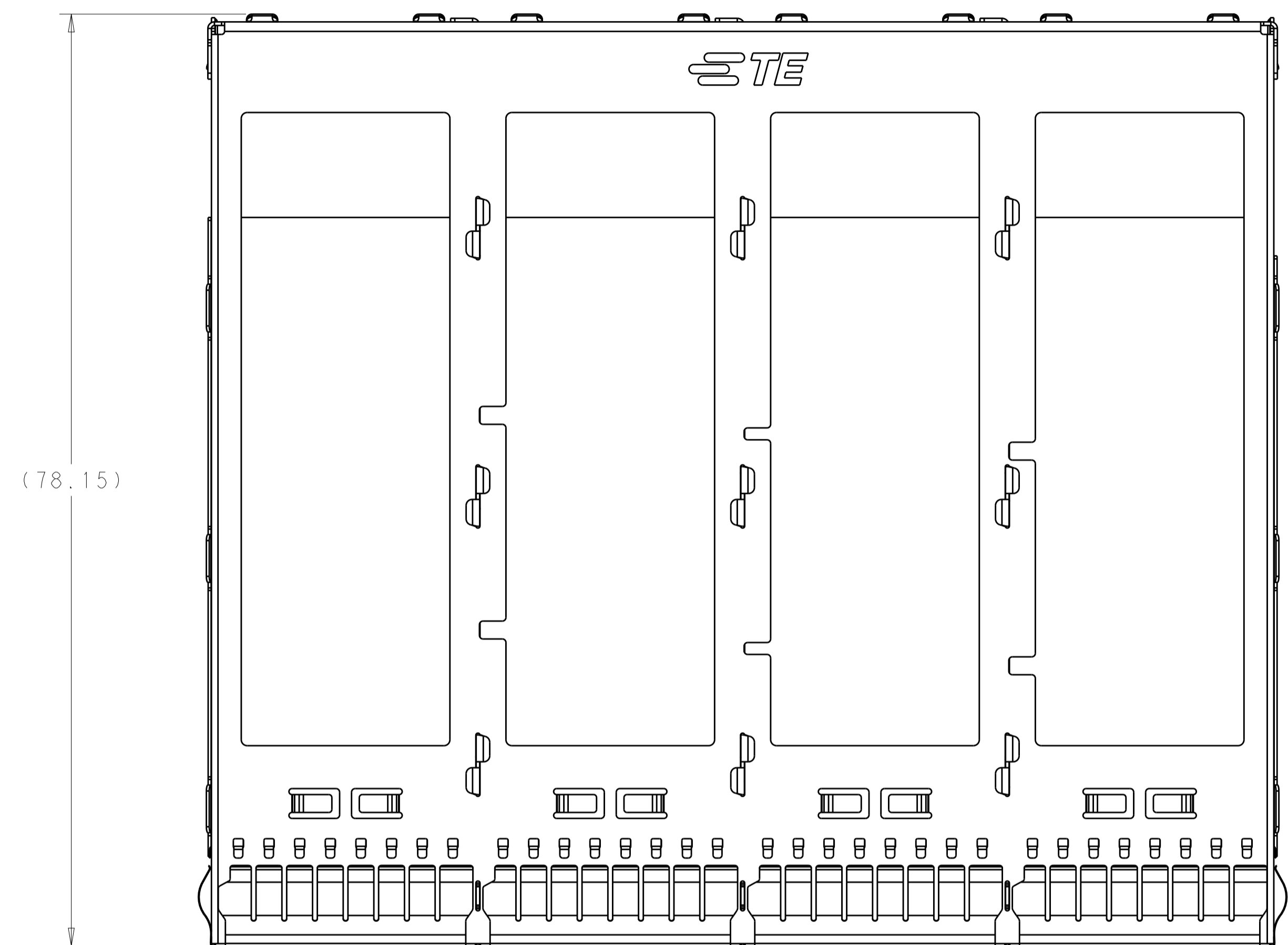
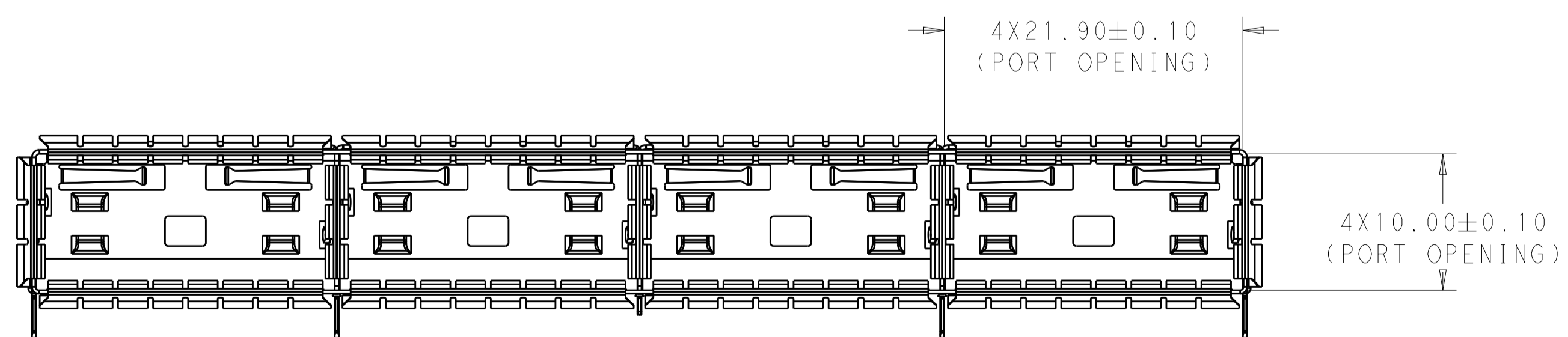


LOC	DIST	REVISIONS			
P	LTN	DESCRIPTION	DATE	DWN	APVD
1		PROPOSED	18DEC2014	CW	SH
3		UPDATE PCB HOLES AND BOTTOM EMI SPRING	24MAR2015	JW	SH
4		REVISE DRAWING	25MAY2015	AD	SH



- △ 1 CAGE- 0.3MM THICK NICKEL SILVER ALLOY;  
EMI SPRING- COPPER ALLOY;
- △ 2 FINISH:  
EMI SPRING- 1.27um NICKEL PALTING OVER ALL;
- 3 MATES WITH CFP MSA COMPLIANT TRANSCEIVERS.
- △ 4 DATUM AND BASIC DIMENSION ESTABLISHED BY CUSTOMER.
- 5 MINIMUM PC BOARD THICKNESS: SIGLE SIDE APPLICATIONS=3.0±0.10mm.  
BELLY TO BELLY APPLICATIONS=3.0mm MIN.
- △ 6 PADS AND VIAS CHASSIS GROUND;
- △ 7 REFERENCE APPLICATION SPEC 114-XXXX, HOLE A, FOR  
RECOMMENDED DRILL HOLE DIAMETER AND PLATING THICKNESS.
- △ 8 DATE CODE MAKED IN APPROXIMATE AREA

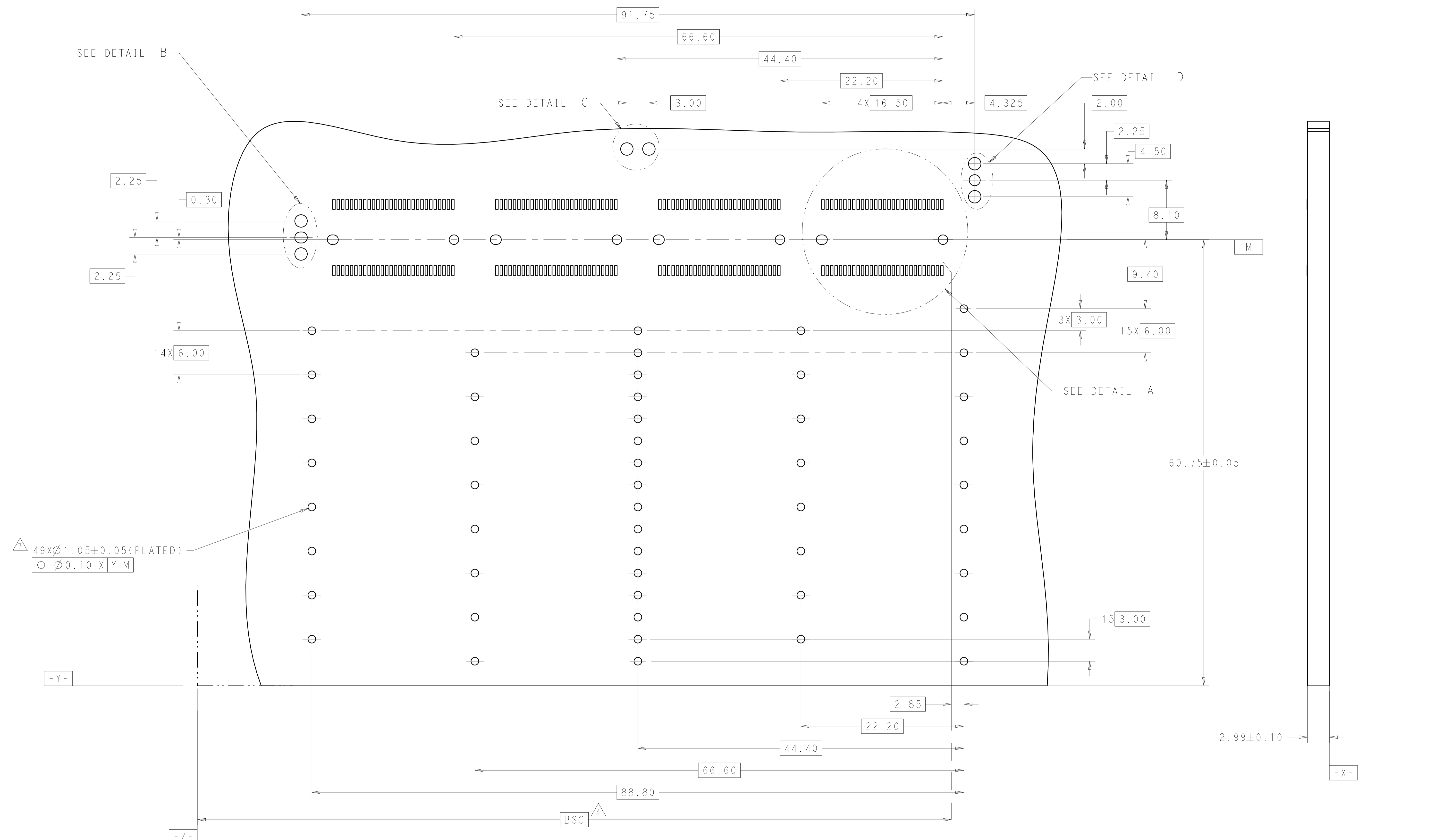


THIS PRINT IS  
**PRELIMINARY**  
UNQUALIFIED PRODUCT  
CONTACT PRODUCT ENGINEERING  
BEFORE USING THIS PRINT

2289496-2  
PART NUMBER

THIS DRAWING IS A CONTROLLED DOCUMENT.		DWN: CHARLES WAN 17DEC2014	<b>STE</b> TE Connectivity
		CHK: SEAN HAN 17DEC2014	
DIMENSIONS:	TOLERANCES UNLESS OTHERWISE SPECIFIED:	APVD: -	NAME: CFP4 1x4 HARDWARE ASSEMBLY
mm	0 PLC ±	PRODUCT SPEC	
	1 PLC ±0.25	APPLICATION SPEC	
	2 PLC ±0.15		
	3 PLC ±0.10		
	4 PLC ±		
	ANGLES ±		
MATERIAL:	FINISH:	WEIGHT:	SIZE: CAGE CODE DRAWING NO: A100779 C=2289496
		Customer Drawing	RESTRICTED TO: -
			SCALE: 4:1 SHEET 1 OF 5 REV 4

LOC	DIST	REVISIONS			
P	LTN	DESCRIPTION	DATE	DWN	APVD
-	-	SEE SHEET 1	-	-	-



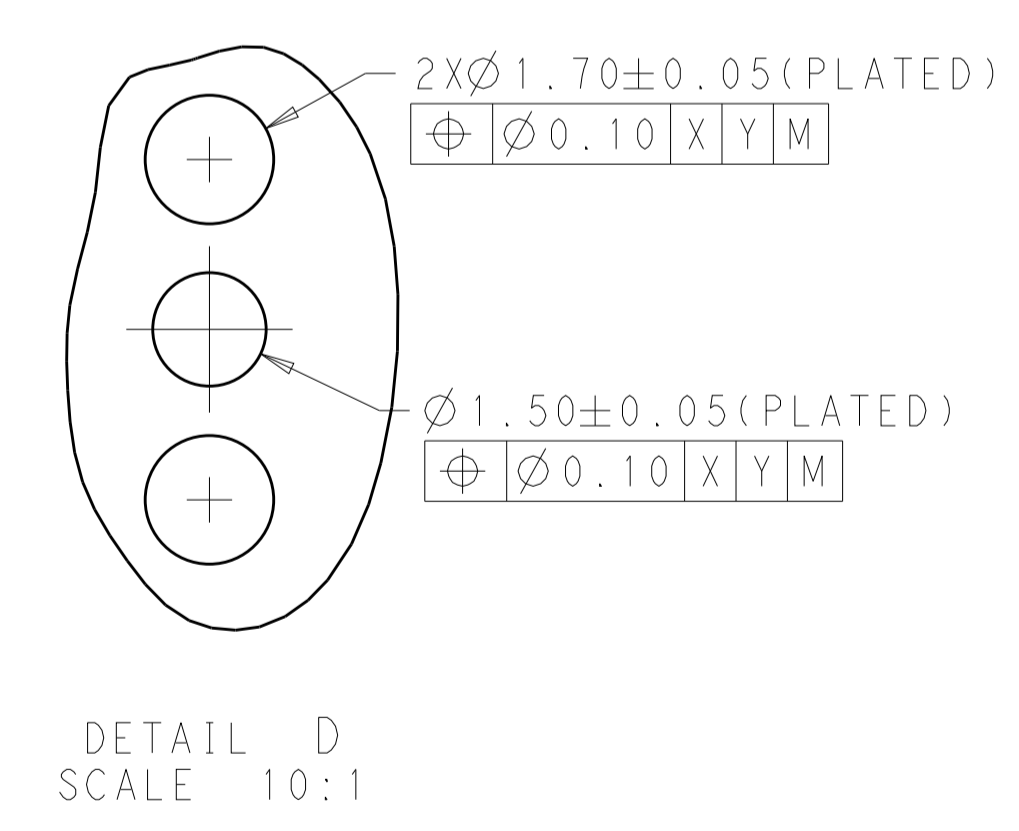
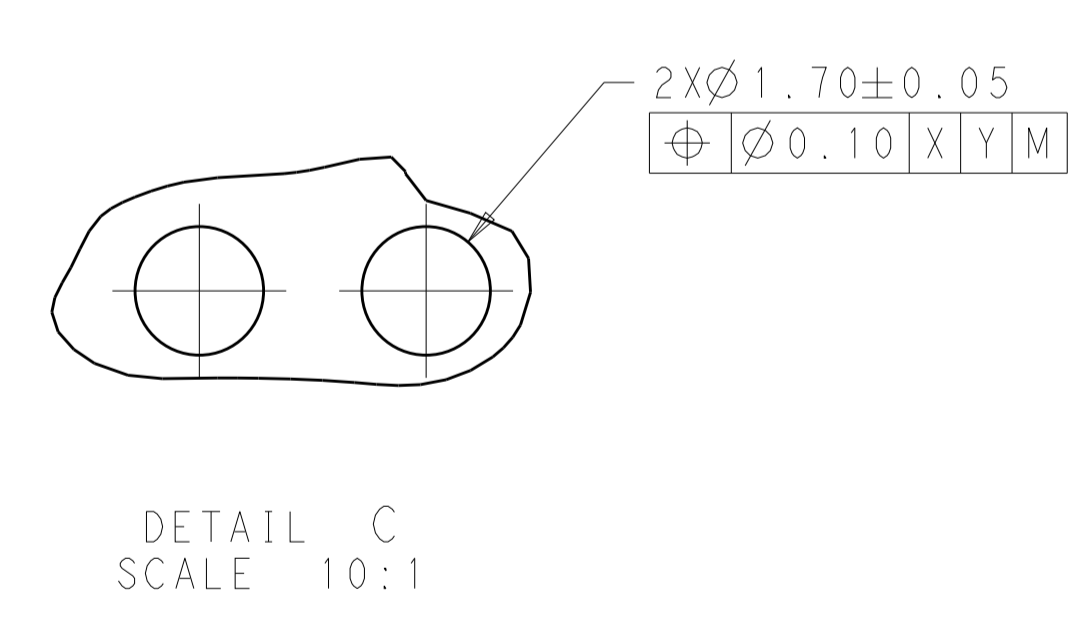
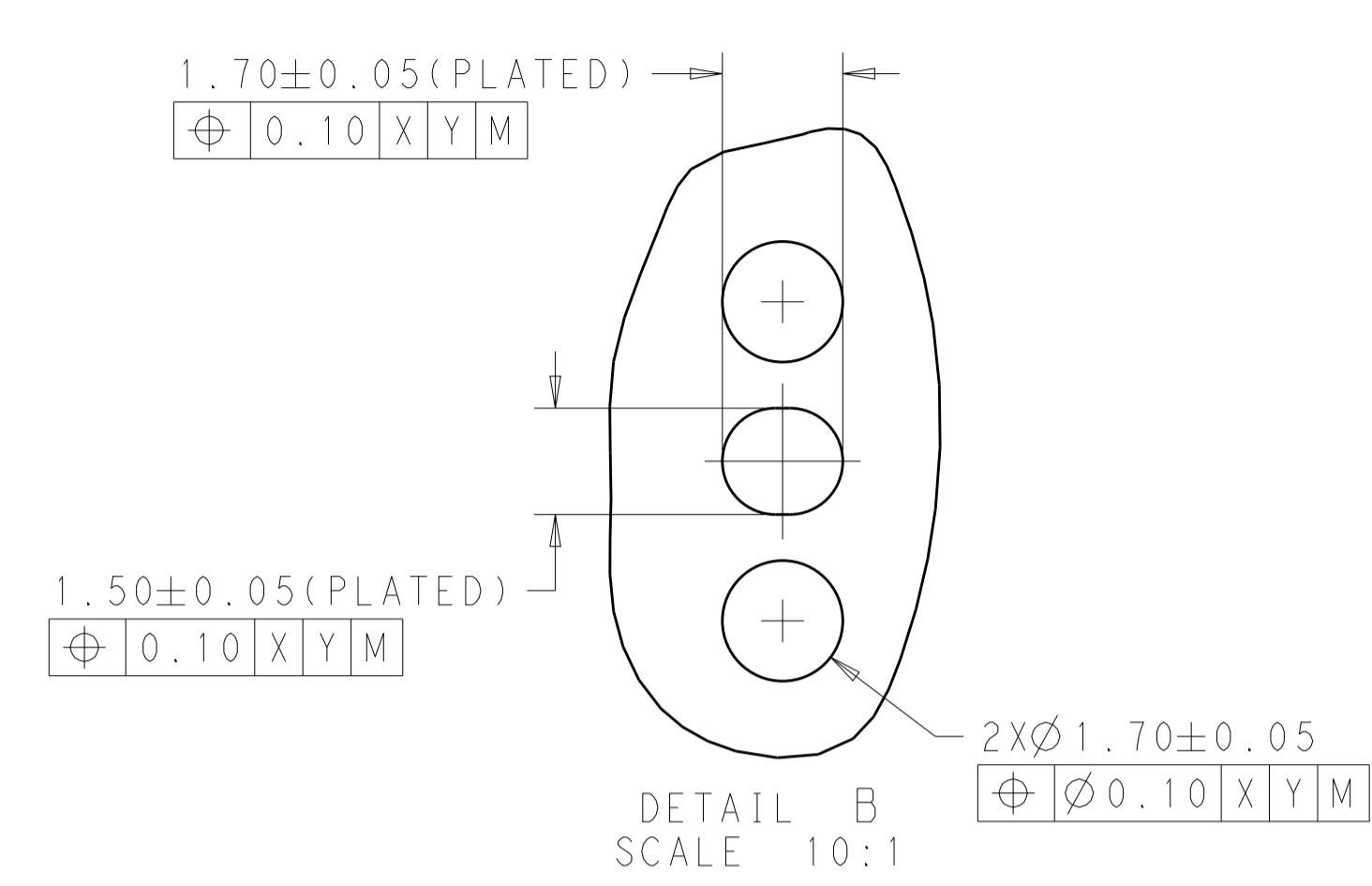
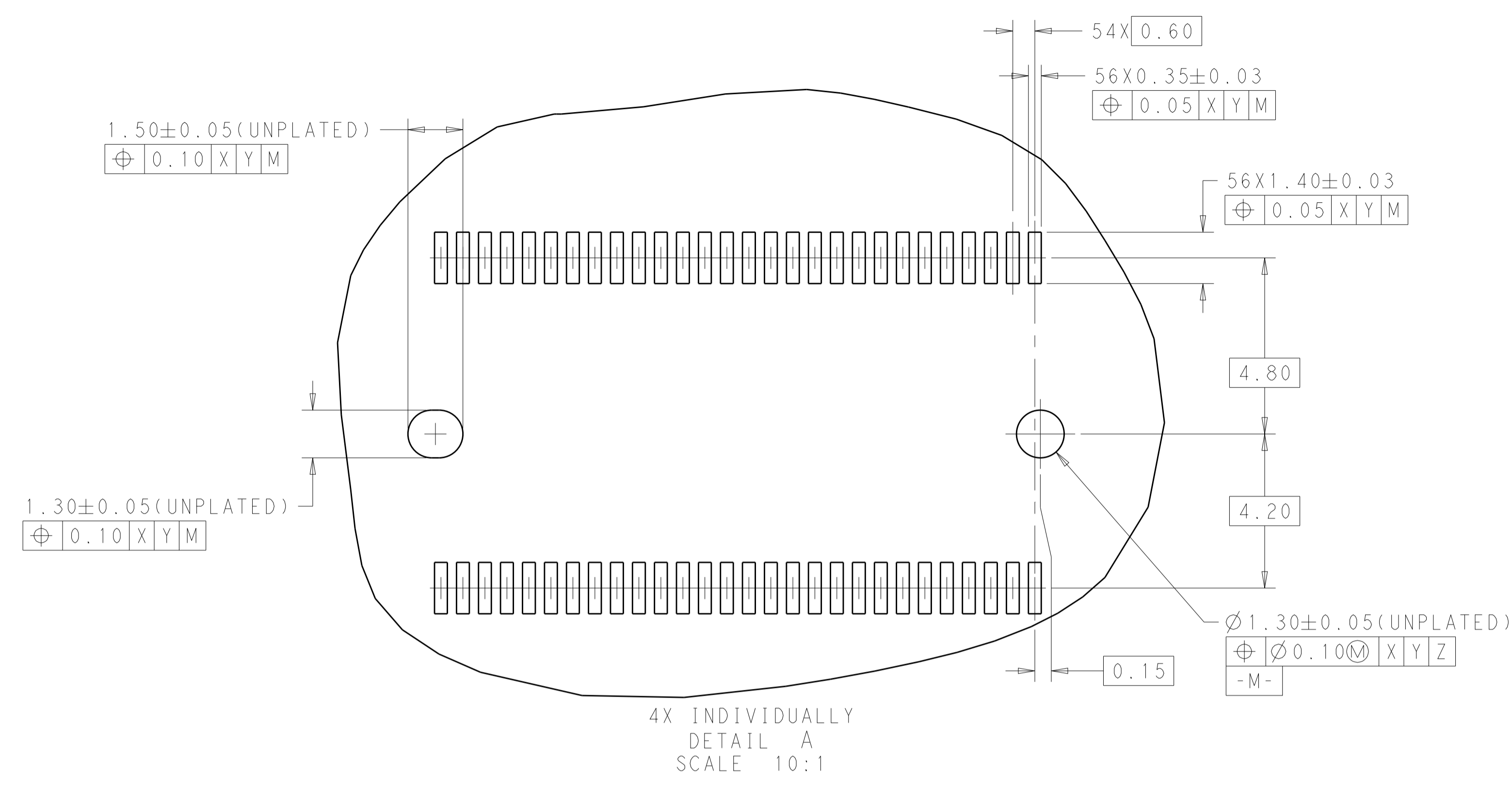
49xØ1.05±0.05(PLATED)  
 Ø0.10 X Y M

RECOMMENDED PCB LAYOUT  
 SINGLE SIDED APPLICATION  
 SCALE 4:1

THIS PRINT IS  
**PRELIMINARY**  
 UNQUALIFIED PRODUCT  
 CONTACT PRODUCT ENGINEERING  
 BEFORE USING THIS PRINT

THIS DRAWING IS A CONTROLLED DOCUMENT.		DWN: CHARLES WAN 17DEC2014	TE Connectivity
DIMENSIONS: mm		CHK: SEAN HAN 17DEC2014	
TOLERANCES UNLESS OTHERWISE SPECIFIED:		APVD: -	NAME: CFP4 1x4 HARDWARE ASSEMBLY
0 PLC	±	PRODUCT SPEC	SIZE: A1
1 PLC	±0.25	APPLICATION SPEC	CAGE CODE: 2289496
2 PLC	±0.15	RESTRICTED TO	SCALE: 1:1
3 PLC	±0.10	Customer Drawing	SHEET 2 OF 5
4 PLC	±		REV 4
ANGLES	±		
MATERIAL	FINISH		

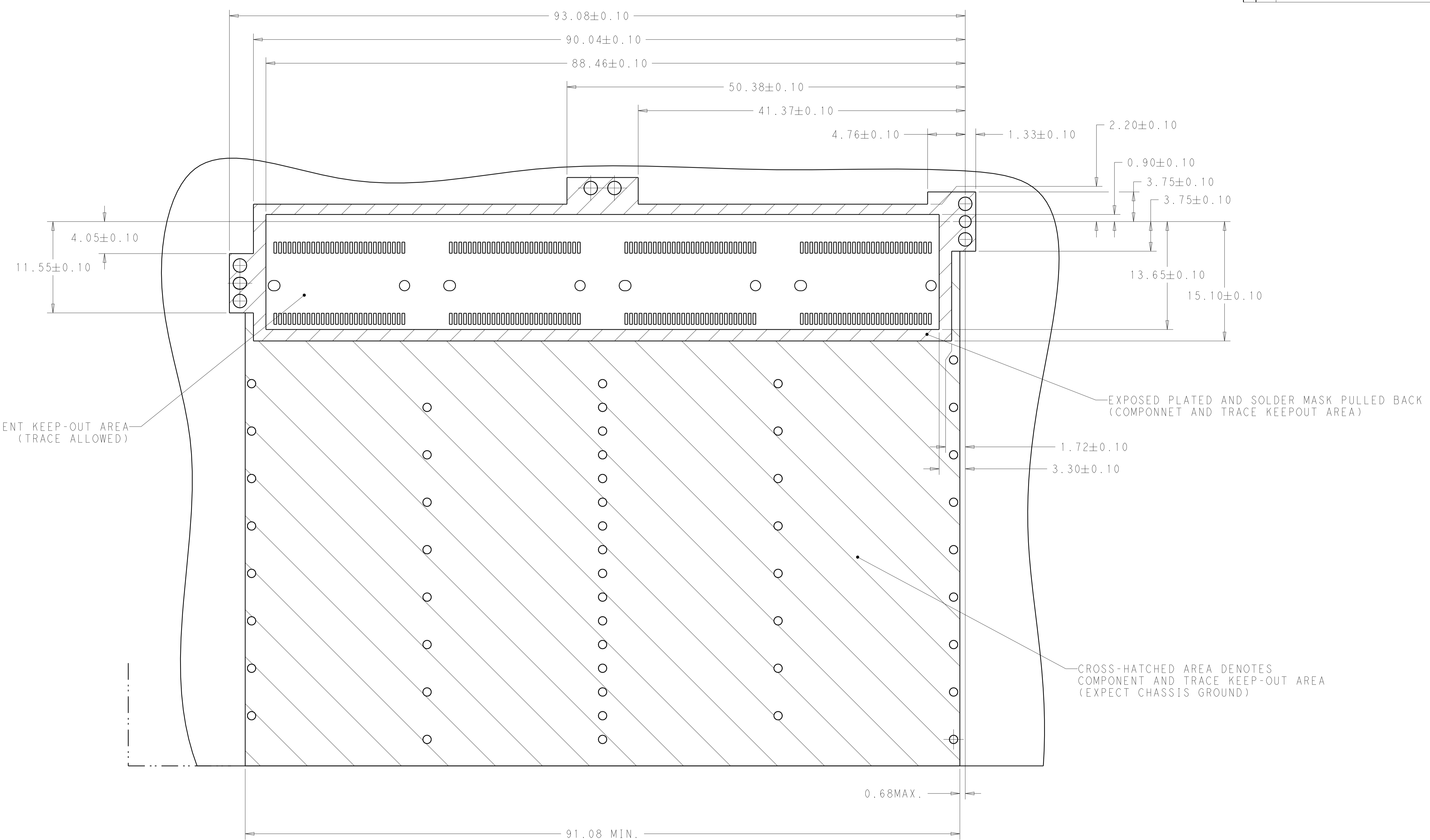
LOC	DIST	REVISIONS			
P	LTN	DESCRIPTION	DATE	DMN	APVD
-	-	SEE SHEET 1	-	-	-



DESIGN APPROVED THIS PRINT IS  
**PRELIMINARY**  
 TO FIRST PIECE APPROVAL  
 CONTACT PRODUCT ENGINEERING  
 BEFORE USING THIS PRINT

THIS DRAWING IS A CONTROLLED DOCUMENT.		DMN: CHARLES WAN 17DEC2014	TE Connectivity
DIMENSIONS: mm		CHK: SEAN HAN 17DEC2014	
TOLERANCES UNLESS OTHERWISE SPECIFIED: 0 PLC ± 1 PLC ±0.25 2 PLC ±0.15 3 PLC ±0.10 4 PLC ± ANGLES ±		APVD: -	NAME: CFP4 1x4 HARDWARE ASSEMBLY
MATERIAL: -		FINISH: -	RESTRICTED TO: -
Customer Drawing		SCALE: 1:1	SIZE: A1 CAGE CODE: 00779 DRAWING NO: C=2289496 SHEET 3 OF 5 REV 4

LOC		DIST		REVISIONS			
GP	00	P	LTN	DESCRIPTION	DATE	DWN	APVD
-	-	-	-	SEE SHEET 1	-	-	-



SCALE 4:1

DESIGN APPROVED THIS PRINT IS  
**PRELIMINARY**  
 TO FIRST PIECE APPROVAL  
 CONTACT PRODUCT ENGINEERING  
 BEFORE USING THIS PRINT

THIS DRAWING IS A CONTROLLED DOCUMENT.		DWN	CHARLES WAN	17DEC2014	TE Connectivity
		CHK	SEAN HAN	17DEC2014	
DIMENSIONS:		TOLERANCES UNLESS OTHERWISE SPECIFIED:		NAME	
mm	0 PLC ±0.25	PRODUCT SPEC		CFP4 1x4 HARDWARE ASSEMBLY	
	1 PLC ±0.15	APPLICATION SPEC		SIZE CAGE CODE DRAWING NO	
	2 PLC ±0.10	RESTRICTED TO		A100779C=2289496	
	3 PLC ±0.10	MATERIAL		Customer Drawing	
	4 PLC ±0.10	FINISH		SCALE 1:1 SHEET 4 OF 5 REV 4	
	ANGLES ±0.10	WEIGHT			