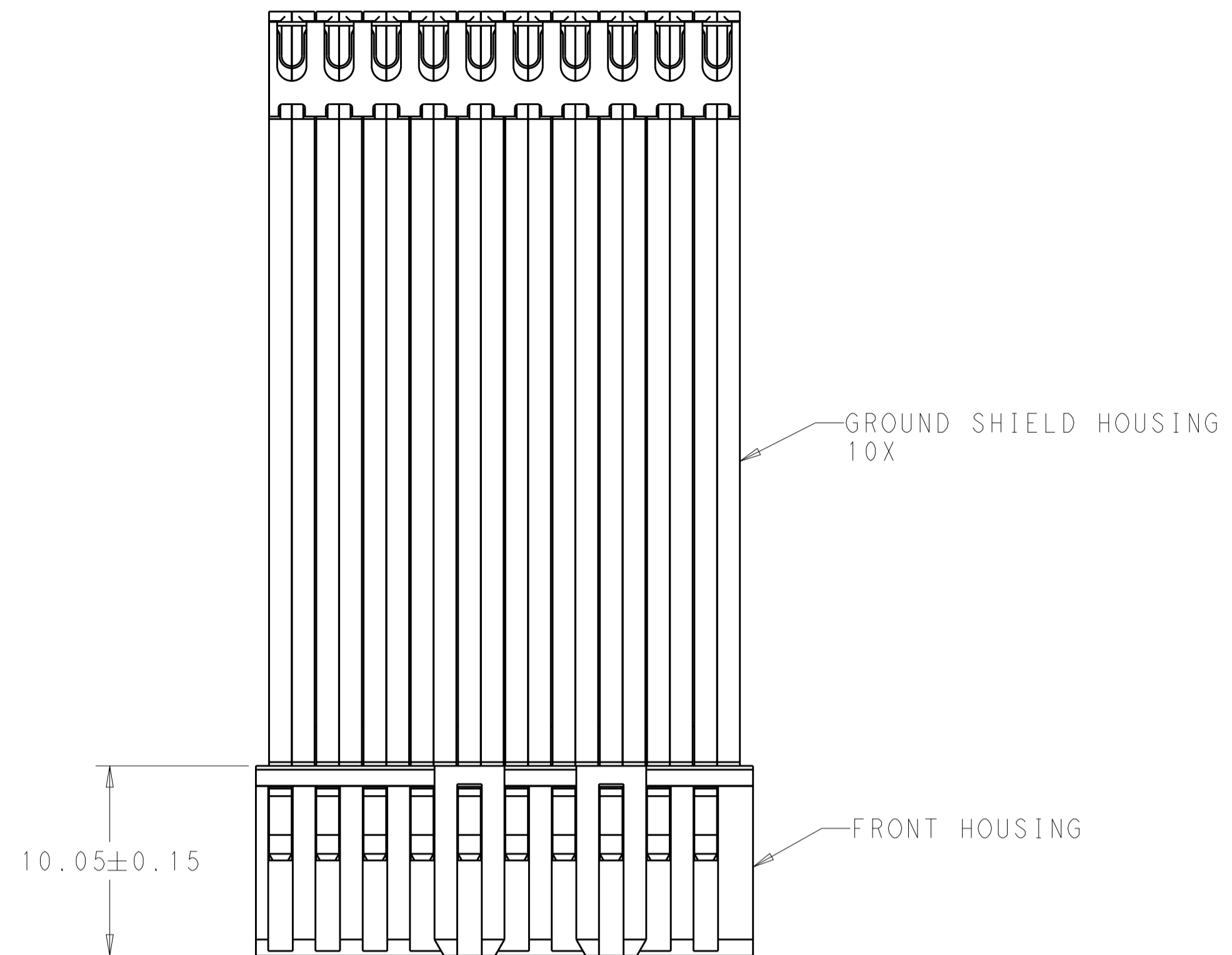
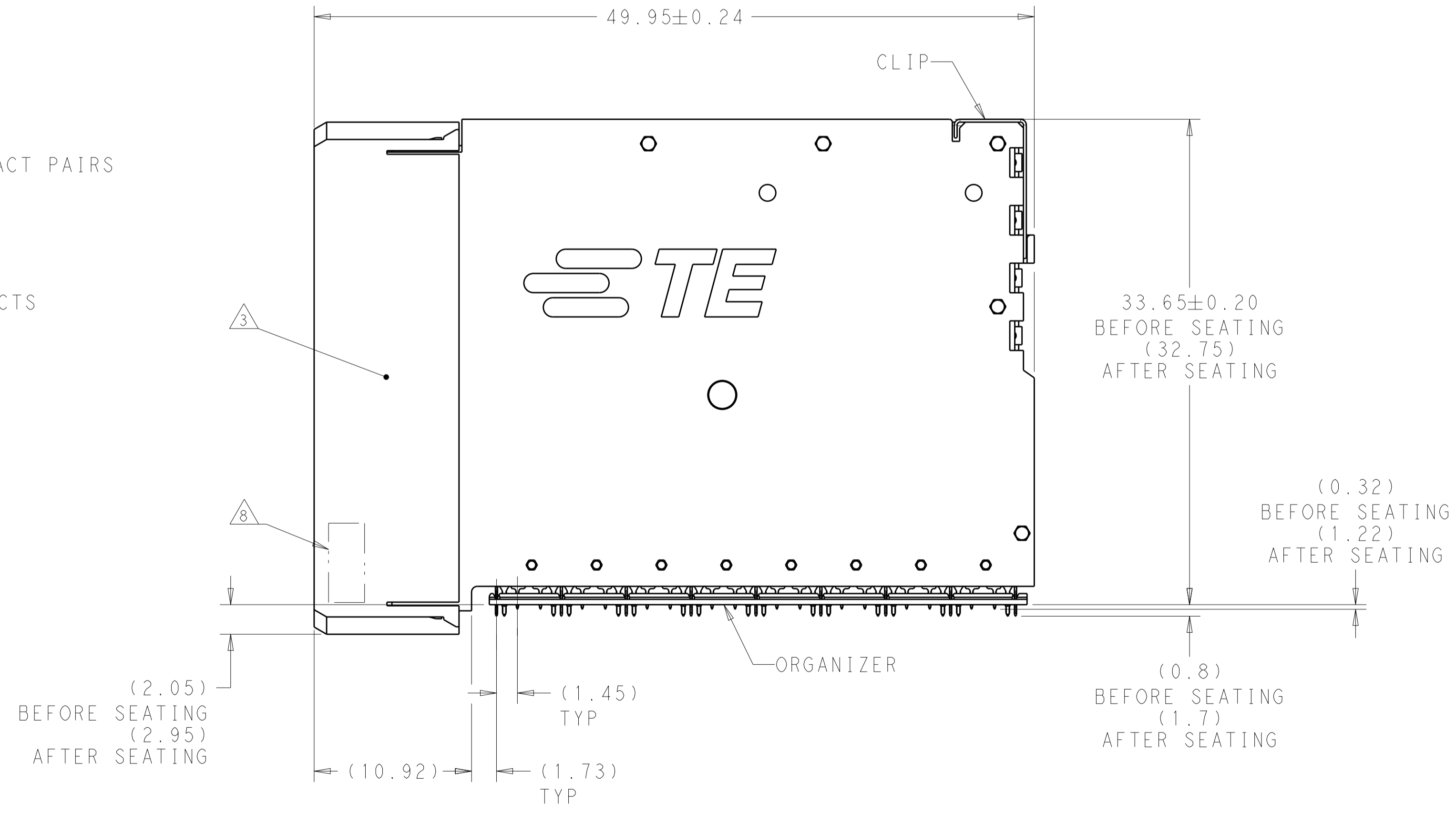
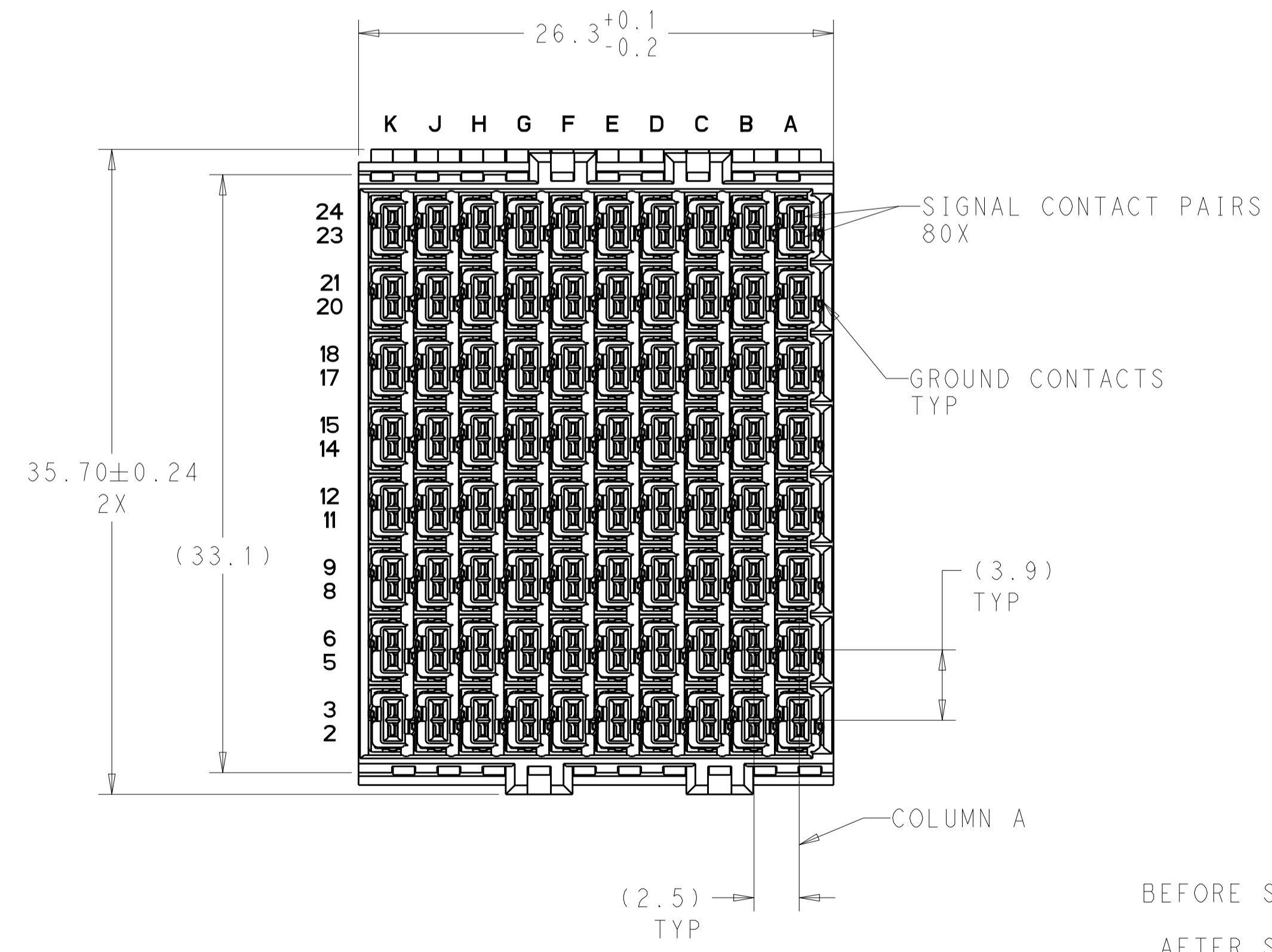


LOC	DIST	REVISIONS					
GP	00	P	LTN	DESCRIPTION	DATE	DMN	APVD
		A		RELEASED	11NOV2016	M. I	D. T



- 1 CONTACTS - COPPER ALLOY. CLIP - STAINLESS STEEL, HOUSING AND ORGANIZER - THERMOPLASTIC, UL94 V-0, BLACK
- 2 CONFORMS TO REQUIREMENTS OF TE PRODUCT SPECIFICATION 108-32021, BASED ON TELCORDIA GR-1217-CORE FOR SYSTEM QUALITY LEVEL III APPLICATIONS IN CONTROLLED ENVIRONMENTS (CENTRAL OFFICE).
- 3 CONNECTOR MARKED ON EITHER SIDE OF HOUSING WITH PART NUMBER, DATE CODE, AND "85 OHM" IN APPROXIMATE AREA SHOWN.
- 4 PLATED THRU HOLE REQUIREMENTS:
 FINISHED HOLE = $\varnothing 0.360 \pm 0.040$
 DRILLED HOLE = $\varnothing 0.450 \pm 0.025$
 COPPER THICKNESS = 0.025 MINIMUM
 IMMERSION TIN IF APPLICABLE = 0.0006-0.0011
- 5 PLATED THRU HOLE REQUIREMENTS:
 FINISHED HOLE = $\varnothing 0.270 \pm 0.040$
 DRILLED HOLE = $\varnothing 0.370 \pm 0.025$
 COPPER THICKNESS = 0.025 MINIMUM
 IMMERSION TIN IF APPLICABLE = 0.0006-0.0011
- 6 SIGNAL HOLES:
 PLATED THRU HOLE DIMENSIONS APPLY TO THE TOP 1.00 OF THE PCB THICKNESS FROM THE CONNECTOR MOUNTING SIDE.
 GROUND HOLES:
 PLATED THRU HOLE DIMENSIONS APPLY TO THE TOP 1.25 OF THE PCB THICKNESS FROM THE CONNECTOR MOUNTING SIDE.
- 7 DATUMS AND BASIC DIMENSIONS ESTABLISHED BY CUSTOMER.
- 8 DATAMATRIX BARCODE MARKING IN THIS AREA.



TIN	2290194-1
PRESS FIT TAIL PLATING	PART NUMBER

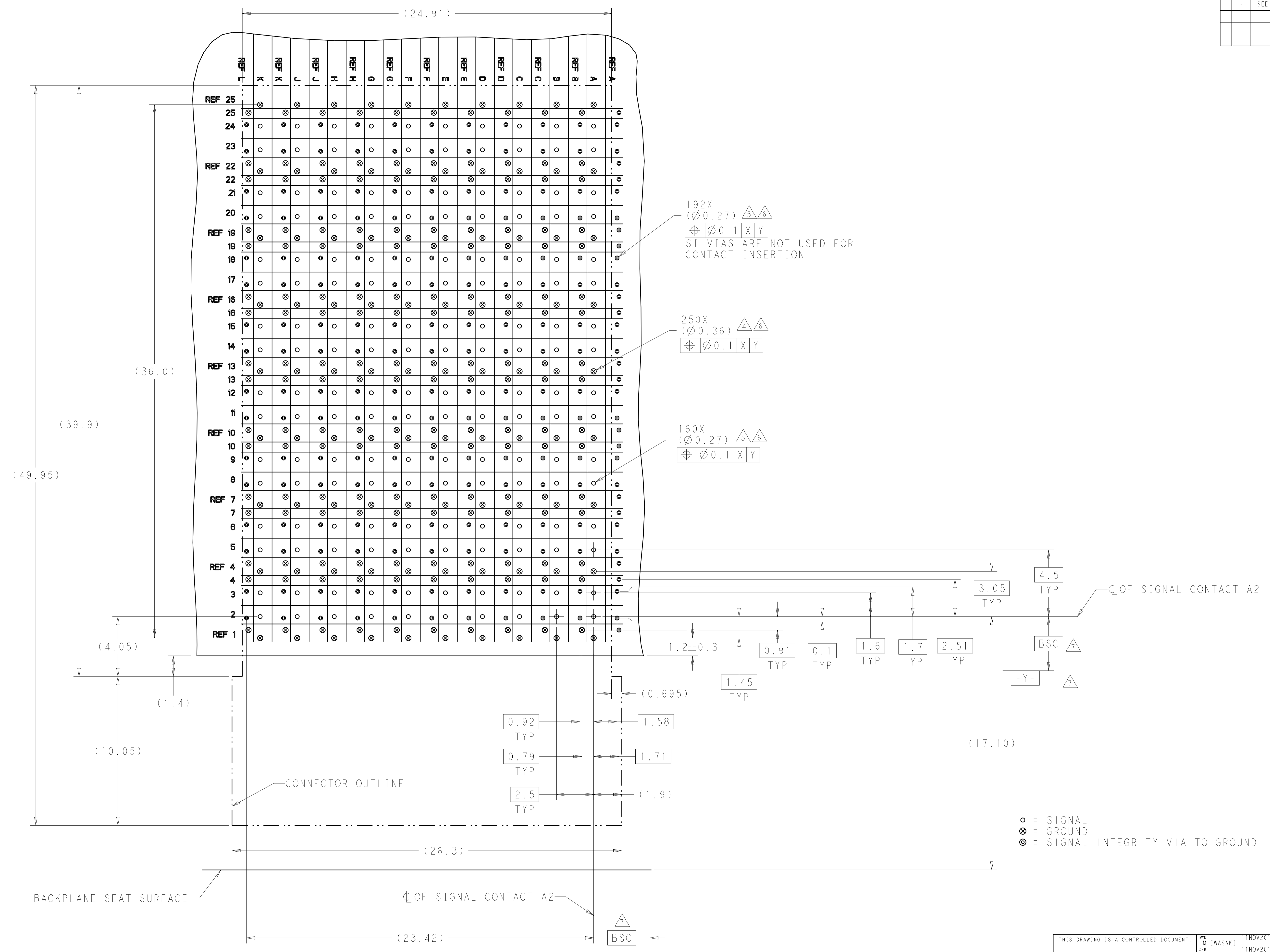
THIS DRAWING IS A CONTROLLED DOCUMENT.		DMN	M. IWASAKI	11NOV2016
DIMENSIONS:		CHK	D. TROUT	11NOV2016
mm	0 PLC ±	APVD	D. TROUT	11NOV2016
	1 PLC ±	PRODUCT SPEC		
	2 PLC ±0.12	APPLICATION SPEC		
	3 PLC ±	WEIGHT		
	4 PLC ±	CUSTOMER DRAWING		
	ANGLES ±	SCALE	4:1	SHEET 1 OF 2
	FINISH	REV	A	

STE TE Connectivity

NAME: RECEPTACLE ASSY, RIGHT ANGLE, 8 PAIR 10 COLUMN, 85 OHM PiC, STRADA WHISPER

SIZE: A1 CAGE CODE: 00779 DRAWING NO: C=2290194

LOC		DIST		REVISIONS				
GP	00	P	LTN	DESCRIPTION	DATE	DWN	APVD	
		-		SEE SHEET 1				



192X
 (∅0.27) $\Delta_5 \Delta_6$
 $\oplus \varnothing 0.1 X Y$
 SI VIAS ARE NOT USED FOR CONTACT INSERTION

250X
 (∅0.36) $\Delta_4 \Delta_6$
 $\oplus \varnothing 0.1 X Y$

160X
 (∅0.27) $\Delta_5 \Delta_6$
 $\oplus \varnothing 0.1 X Y$

○ = SIGNAL
 ⊗ = GROUND
 ⊙ = SIGNAL INTEGRITY VIA TO GROUND

RECOMMENDED PCB LAYOUT
 COMPONENT SIDE SHOWN
 SCALE 8:1

THIS DRAWING IS A CONTROLLED DOCUMENT.		DWN: M. IWASAKI 11NOV2016	TE Connectivity
DIMENSIONS: mm		CHK: D. TROUT 11NOV2016	
		APVD: D. TROUT 11NOV2016	NAME: RECEPTACLE ASSY, RIGHT ANGLE, 8 PAIR 10 COLUMN, 85 OHM P/C, STRADA WHISPER
TOLERANCES UNLESS OTHERWISE SPECIFIED:		PRODUCT SPEC	SIZE: A1
0 PLC ±		APPLICATION SPEC	CAGE CODE: 2290194
1 PLC ±0.12		WEIGHT	SCALE: NTS
2 PLC ±		CUSTOMER DRAWING	SHEET 2 OF 2
3 PLC ±			REV A
4 PLC ±			
ANGLES ±			