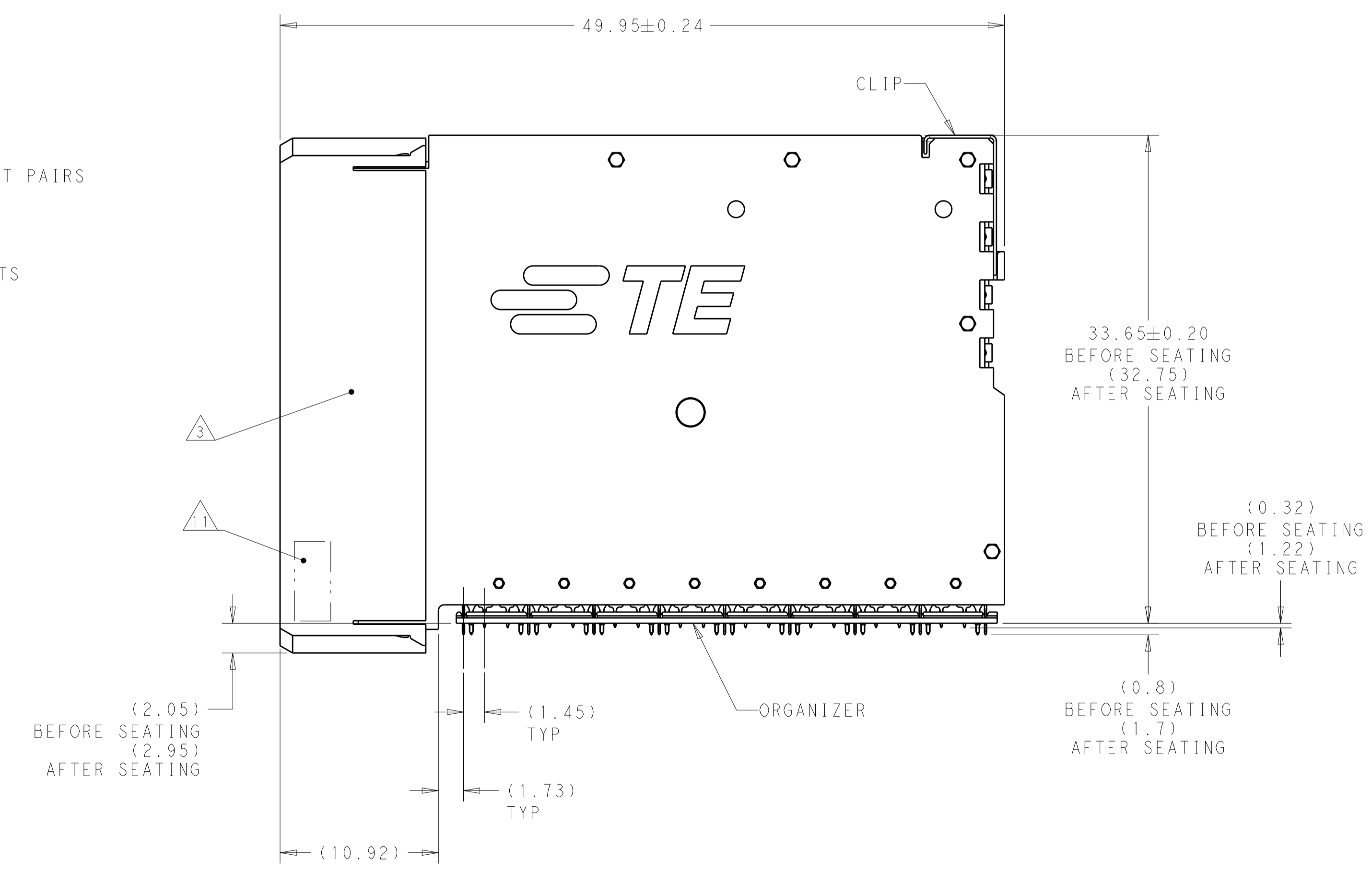
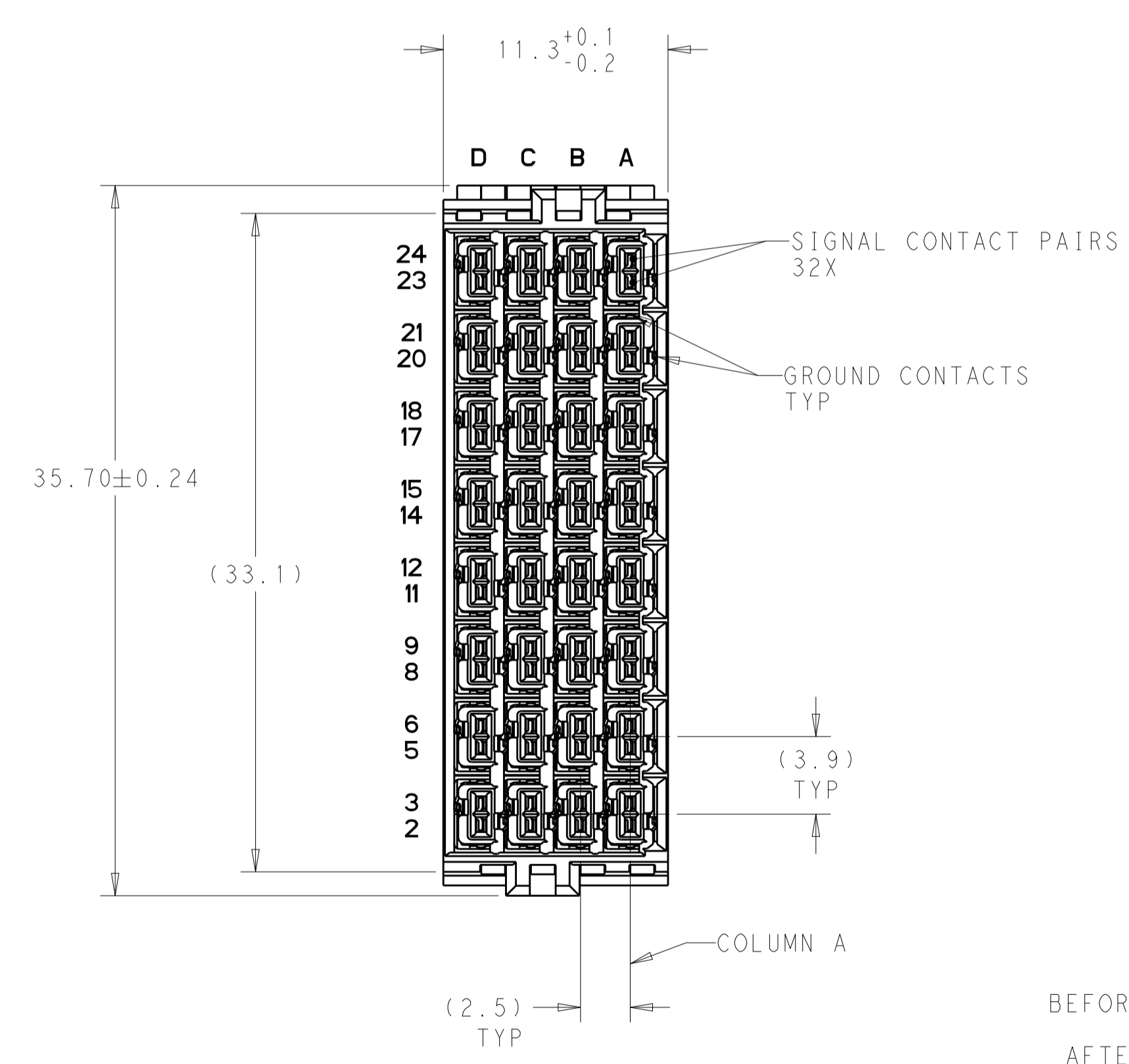
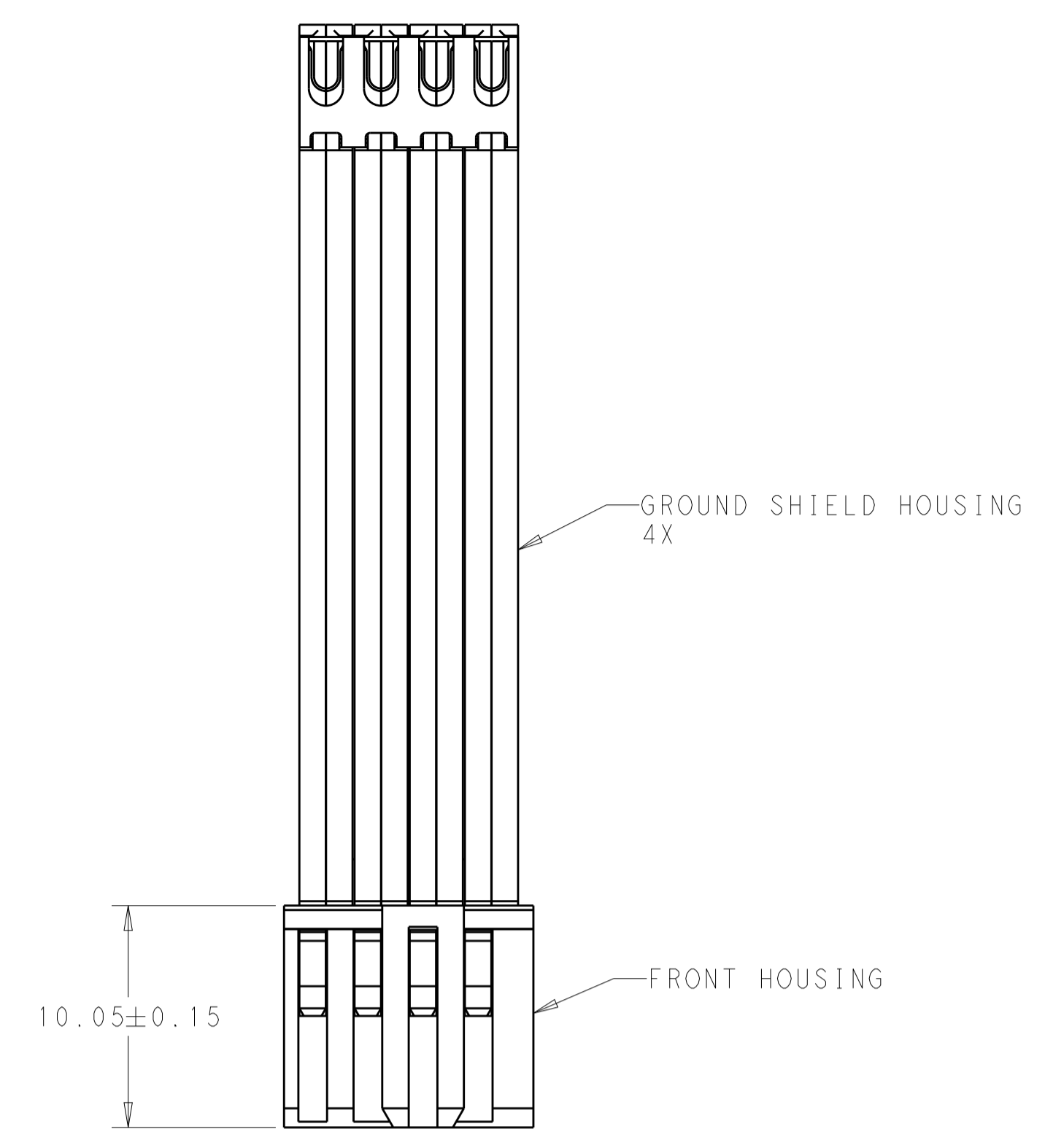


LOC	DIST	REVISIONS			
P	LTN	DESCRIPTION	DATE	DWN	APVD
A		RELEASED	09MAY2016	Y. K.	D. T.



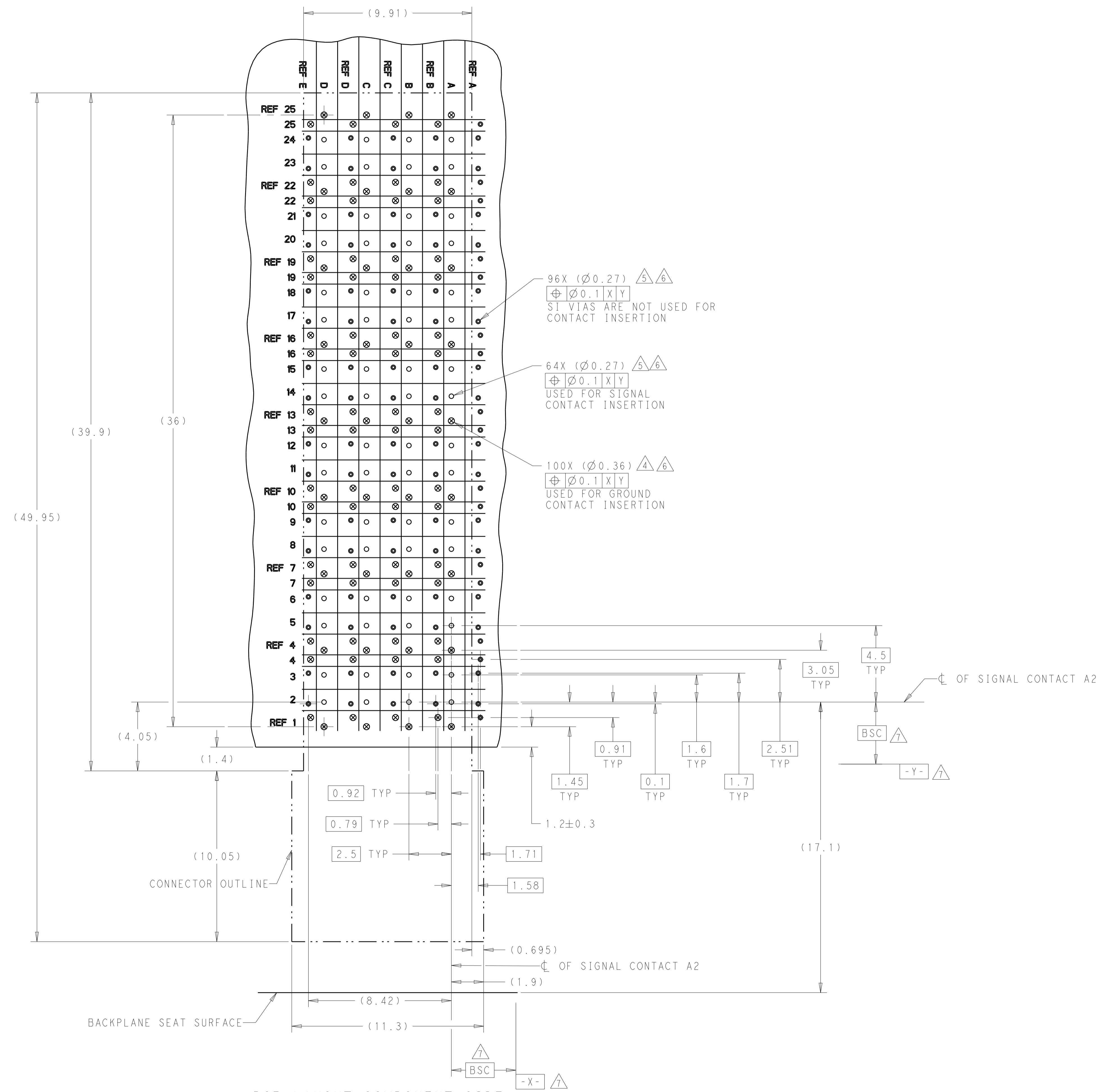
- 1 CONTACTS - COPPER ALLOY, CLIP - STAINLESS STEEL.  
HOUSING AND ORGANIZER - THERMOPLASTIC, UL94 V-O, BLACK.
- 2 CONFORMS TO REQUIREMENTS OF TE PRODUCT SPECIFICATION 108-32023, BASED ON TELCORDIA GR-1217-CORE FOR SYSTEM QUALITY LEVEL III APPLICATIONS IN CONTROLLED ENVIRONMENTS (CENTRAL OFFICE).
- 3 CONNECTOR MARKED ON EITHER SIDE OF HOUSING WITH PART NUMBER, DATE CODE, AND "85 OHM", IN APPROXIMATE AREA SHOWN.
- 4 PLATED THRU HOLE REQUIREMENTS:  
FINISHED HOLE =  $\varnothing 0.360 \pm 0.040$   
DRILLED HOLE =  $\varnothing 0.450 \pm 0.025$   
COPPER THICKNESS = 0.025 MINIMUM  
IMMERSION TIN IF APPLICABLE = 0.0006-0.0011
- 5 PLATED THRU HOLE REQUIREMENTS:  
FINISHED HOLE =  $\varnothing 0.270 \pm 0.040$   
DRILLED HOLE =  $\varnothing 0.370 \pm 0.025$   
COPPER THICKNESS = 0.025 MINIMUM  
IMMERSION TIN IF APPLICABLE = 0.0006-0.0011
- 6 SIGNAL HOLES:  
PLATED THRU HOLE DIMENSIONS APPLY TO THE TOP 1.00 OF THE PCB THICKNESS FROM THE CONNECTOR MOUNTING SIDE.  
GROUND HOLES:  
PLATED THRU HOLE DIMENSIONS APPLY TO THE TOP 1.25 OF THE PCB THICKNESS FROM THE CONNECTOR MOUNTING SIDE.
- 7 DATUMS AND BASIC DIMENSIONS ESTABLISHED BY CUSTOMER.

TIN	2292528-1
PRESS FIT TAIL PLATING	PART NO

THIS DRAWING IS A CONTROLLED DOCUMENT.

DIMENSIONS:	TOLERANCES UNLESS OTHERWISE SPECIFIED:	DWN Y. KODAIRA 09MAY2016	CHK D. TROUT 09MAY2016	APVD D. TROUT 09MAY2016
mm	0 PLC ± 1 PLC ± 2 PLC ±0.12 3 PLC ± 4 PLC ± ANGLES ±	NAME RECEPTACLE ASSEMBLY, RIGHT ANGLE, 8 PAIR 4 COLUMN, 85 OHM PiC, STRADA WHISPER		
MATERIAL	FINISH SEE TABLE	SIZE A100779	CAGE CODE C=2292528	RESTRICTED TO
CUSTOMER DRAWING		SCALE 4:1	SHEET 1 OF 2	REV A

LOC	DIST	REVISIONS					
GP	00	P	LTN	DESCRIPTION	DATE	DWN	APVD
		-		SEE SHEET 1			



PCB LAYOUT COMPONENT SIDE  
 SCALE 8:1

- = SIGNAL
- ⊗ = GROUND
- ⊙ = SIGNAL INTEGRITY VIA TO GROUND

THIS DRAWING IS A CONTROLLED DOCUMENT.		DWN		TE Connectivity	
DIMENSIONS:		CHK		NAME	
mm	0 PLC ±	APVD	RECEPTACLE ASSEMBLY, RIGHT ANGLE,		
	1 PLC ±0.12	PRODUCT SPEC	8 PAIR 4 COLUMN,		
	2 PLC ±	APPLICATION SPEC	85 OHM PiC, STRADA WHISPER		
	3 PLC ±	WEIGHT	SIZE	CAGE CODE	DRAWING NO
	4 PLC ±		A1	00779	C=2292528
	ANGLES	CUSTOMER DRAWING	SCALE	SHEET	REV
			NTS	2	A