

Specifications (Disk type)

| Part No. | R ₂₅ ^{*1} (Ω) | Maximum rating current at 25°C (A) | Residual resistance ^{*2} (Ω) | Dissipation factor (mW/°C) | Thermal time constant ^{*3} (s) | Rating temp (°C) | Maximum capacitance at AC220V (μF) |
|----------|--------------------------------------|--|---|----------------------------------|--|------------------------|--|
| 5D2-05 | 5 | 1.7 | 0.610 | 14 | 25 | -40~160 | 36 |
| 8D2-05 | 8 | 1.3 | 0.970 | 14 | 27 | -40~160 | 39 |
| 10D2-05 | 10 | 1.2 | 1.210 | 14 | 31 | -40~160 | 39 |
| 12D2-05 | 12 | 1.4 | 0.860 | 14 | 26 | -40~160 | 49 |
| 16D2-05 | 16 | 1.2 | 1.150 | 14 | 30 | -40~160 | 57 |
| 3D2-07 | 3 | 2.4 | 0.370 | 30 | 35 | -40~160 | 42 |
| 5D2-07 | 5 | 3.0 | 0.352 | 30 | 35 | -40~160 | 80 |
| 8D2-07 | 8 | 2.0 | 0.562 | 30 | 41 | -40~160 | 110 |
| 10D2-07 | 10 | 2.0 | 0.706 | 30 | 45 | -40~160 | 140 |
| 12D2-07 | 12 | 1.7 | 0.780 | 30 | 41 | -40~160 | 80 |
| 16D2-07 | 16 | 2.0 | 1.125 | 30 | 45 | -40~160 | 160 |
| 22D2-07 | 22 | 1.0 | 1.547 | 30 | 50 | -40~160 | 190 |
| 2D2-10 | 2 | 5.0 | 0.107 | 32 | 50 | -40~160 | 330 |
| 3D2-10 | 3 | 4.0 | 0.160 | 32 | 53 | -40~160 | 350 |
| 5D2-10 | 5 | 4.0 | 0.267 | 32 | 53 | -40~160 | 290 |
| 8D2-10 | 8 | 3.0 | 0.427 | 32 | 70 | -40~160 | 320 |
| 10D2-10 | 10 | 3.0 | 0.533 | 32 | 75 | -40~160 | 330 |
| 12D2-10 | 12 | 1.8 | 0.780 | 32 | 53 | -40~160 | 173 |
| 16D2-10 | 16 | 1.6 | 0.940 | 32 | 70 | -40~160 | 173 |
| 2D2-14 | 2 | 5.0 | 0.107 | 36 | 90 | -40~160 | 860 |
| 3D2-14 | 3 | 5.0 | 0.160 | 36 | 80 | -40~160 | 630 |
| 4D2-14 | 4 | 5.0 | 0.213 | 36 | 95 | -40~160 | 700 |
| 5D2-14 | 5 | 4.0 | 0.267 | 36 | 110 | -40~160 | 740 |
| 8D2-14 | 8 | 2.5 | 0.470 | 36 | 80 | -40~160 | 289 |
| 10D2-14 | 10 | 2.2 | 0.590 | 36 | 95 | -40~160 | 371 |
| 12D2-14 | 12 | 2.0 | 0.710 | 36 | 105 | -40~160 | 454 |
| 16D2-14 | 16 | 1.8 | 0.940 | 36 | 115 | -40~160 | 578 |

*1 R₂₅ : Rated zero-power resistance value at 25°C.

*2 Residual resistance is the maximum value when maximum rating current is applied.

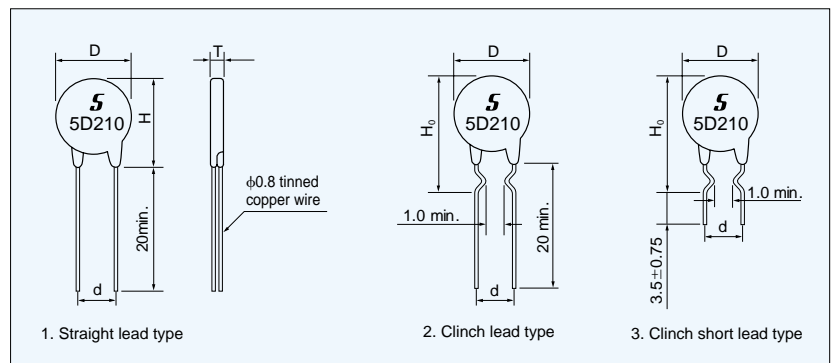
*3 Time when thermistor temperature reaches 63.2% of the temperature difference. The value is measured in the air.

Part number



●UL approved File No. E92669 Thermistor type devices

Dimensions



| | D | T | H | H ₀ | d |
|-------|------|---------|------|----------------|-------|
| D2-05 | 7±2 | 6.8max. | 9±2 | 14.0max. | 5.0±1 |
| D2-07 | 9±2 | | 11±2 | 15.0max. | 5.0±1 |
| D2-10 | 11±2 | | 15±2 | 19.5max. | 5.0±1 |
| D2-14 | 15±2 | | 19±2 | 22.5max. | 7.5±1 |