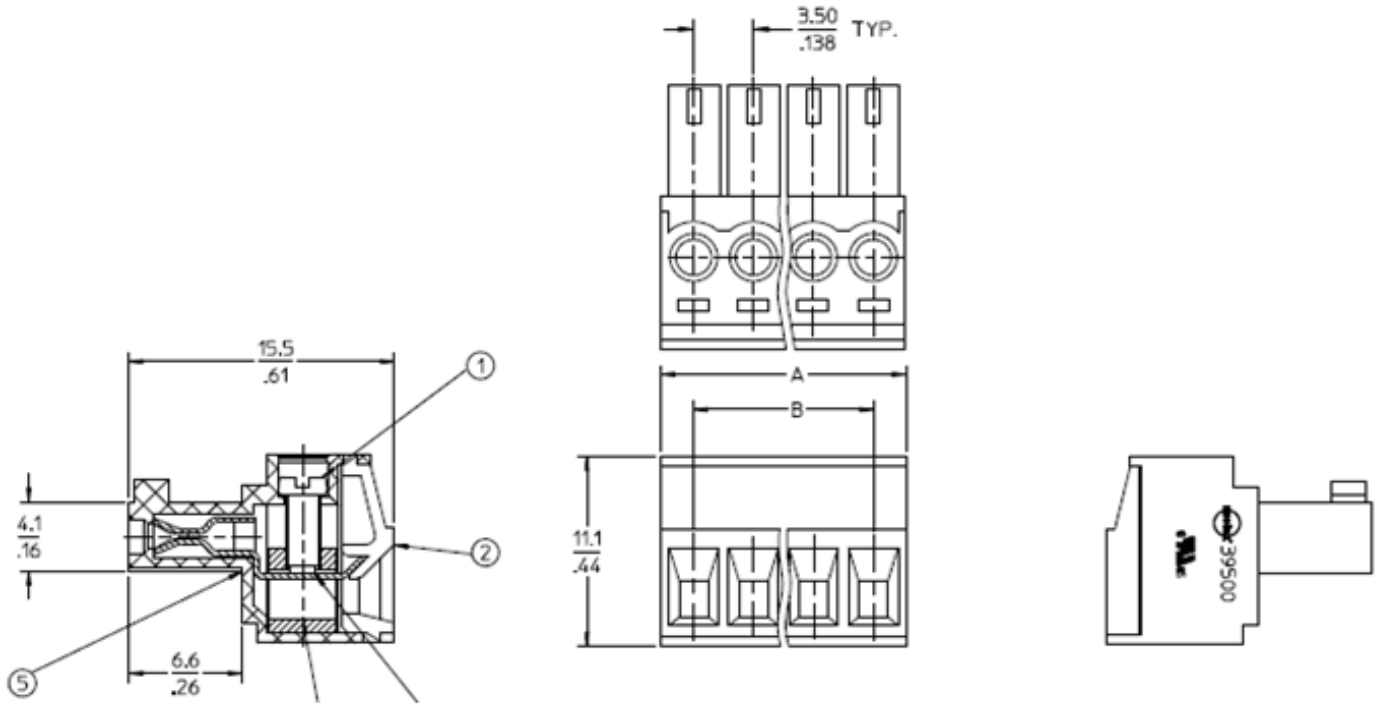


Sonalert[®] Accessory Drawing

Revision **A**



# Poles	Dim A	Dim B	Operating Temp.
-2	7.8mm(0.307")	3.5mm(0.138")	-40 to +105°C
-4	14.8mm(0.583")	10.5mm(0.413")	-40 to +105°C