

This document, including the design, configuration and mechanical features revealed herein are the sole, confidential and proprietary property of Winchester Interconnect. Reproduction or use thereof, in whole or part, is prohibited without the prior written consent of Winchester Interconnect.

REV.	DESCRIPTION	DATE	APPROVED
A	ECO-12542	6/23/2020	ASNZ

NOTES:

MATERIALS:

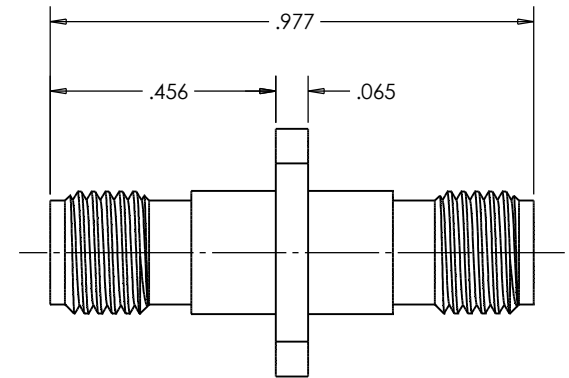
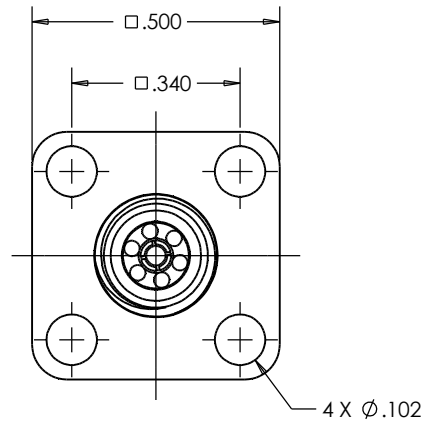
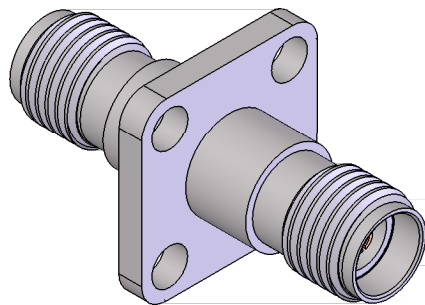
STAINLESS STEEL 303 PER ASTM A582
 BERYLLIUM COPPER PER ASTM B196.
 REXOLITE 1422


FINISH:

CENTER CONDUCTOR AND SOLDER COMPONENTS SHALL BE GOLD PLATED PER MIL-DTL-45204D
 TYPE II, CLAS 1 OVER NICKEL PLATE PER SAE-AMS-QQ-N-290.
 BODY AND BODY COMPONENTS SHALL BE PASSIVATED PER ASTM A380.

ELECTRICALS:

NOMINAL IMPEDANCE: 50 OHMS.
 FREQUENECY: DC-34.5 GHz.
 VSWR: 1.25 TO 34.5 GHz.
 INSERTION LOSS: .05 √ F(GHz) dB



MATERIAL	DO NOT SCALE DRAWING	DRAWN LMW	DATE 02/04	 Winchester Interconnect. 245 Lynnfield St. Peabody, MA 01960
	UNLESS OTHERWISE SPECIFIED: DIMENSIONS ARE IN INCHES	ENG APPR.	DATE	
COMMENTS:	TOLERANCES: FRACTIONS: ±1/64 .X : ±.030 .XX : ±.010 .XXX : ±.005 ANGLES: X° : ±1° X°X' : ±15' MACHINED SURFACES: 32/√	MFG APPR.	DATE	TITLE: 3.5 mm JACK TO 3.5 mm JACK 4 HOLE FLANGE
		OTHER APPR. dcamello	DATE	SIZE B DWG. NO. 23-923-3100-01 REV A PER ASME Y14.5M-1994 SCALE: 4:1 SHEET 1 OF 1
surface area: sq inch	weight: lbs	THIRD ANGLE PROJECTION		