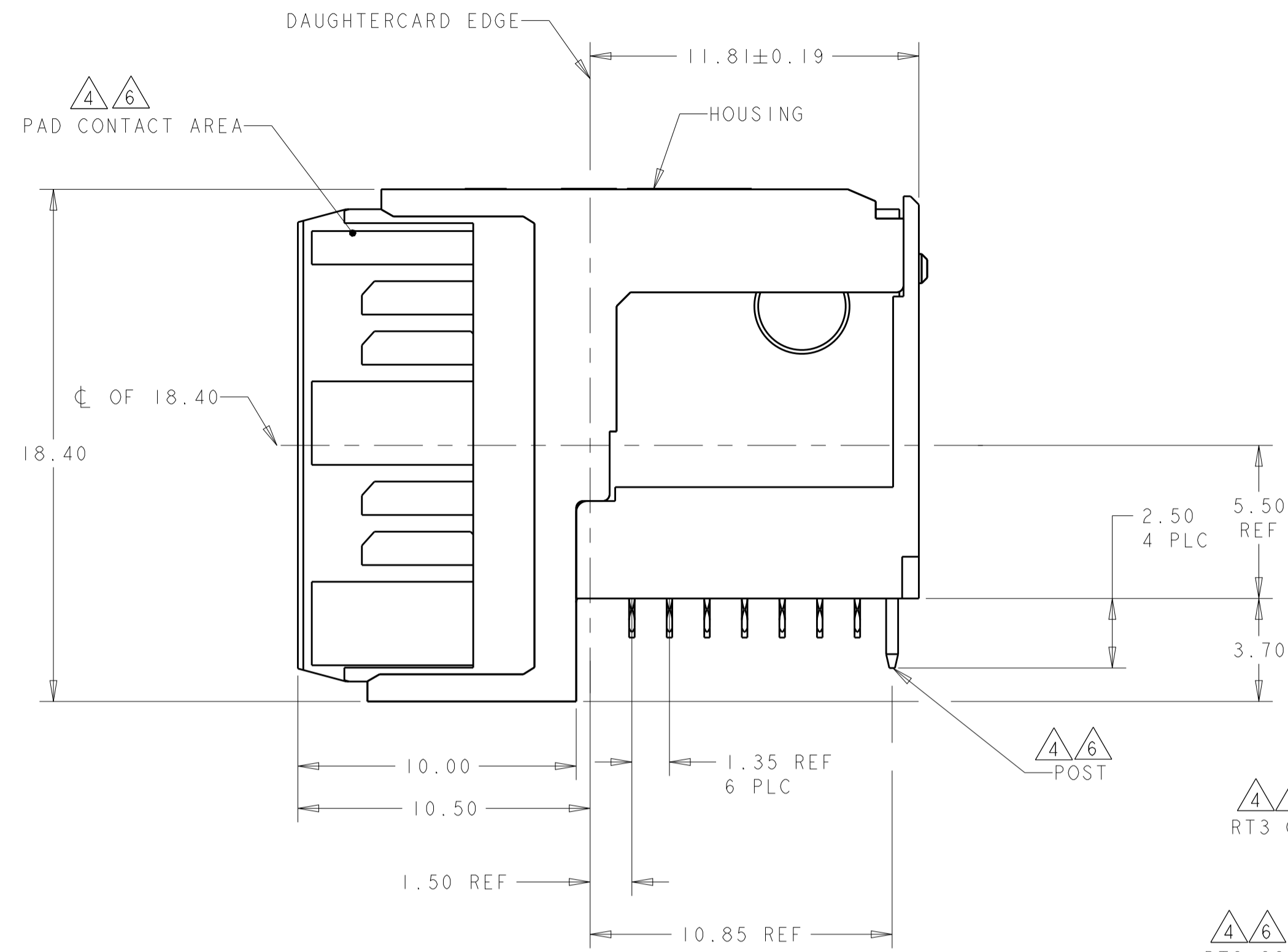
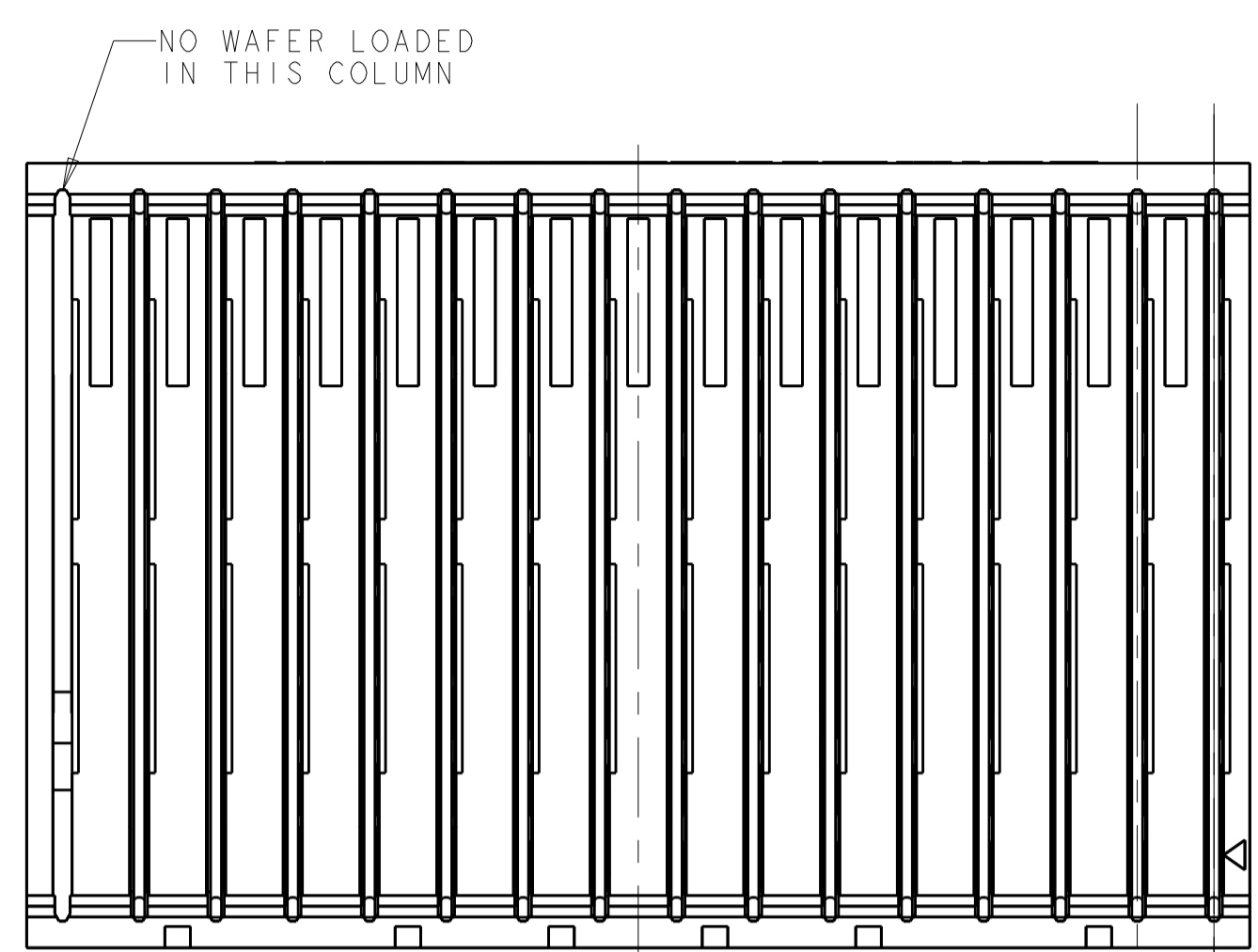


REVISIONS				
P.	LTN.	DESCRIPTION	DATE	APPV.
A		RELEASED PER ECO-19-001811	05FEB2019	DCB AT



- 1 HOUSING: LCP, UL94V0, COLOR: BLACK.
CONTACT: PHOSPHOR BRONZE.
POST: BRASS WIRE
- 2 PLATED THROUGH HOLE PER TE SPEC 114-13056, FIGURE 4.
- 3 PLATED THRU HOLE SPECIFICATION:
DRILLED HOLE: $\varnothing 0.40 \pm 0.02$
0.025-0.050 THICK COPPER PLATING (MAX HARDNESS 150 KNOOP)
FINISH OPTIONS:
0.0038-0.0124 HOT AIR SOLDER LEVELING (HASL) TIN-LEAD (SnPb)
0.0005-0.004 IMMERSION TIN (Sn)
0.0002-0.0005 ORGANIC SOLDERABILITY PRESERVATIVE (OSP)
0.0001-0.0005 IMMERSION SILVER (Ag)
0.0001-0.0005 IMMERSION GOLD OVER 0.00127-0.0076 NICKEL (ENIG)
FINISH HOLE DIAMETER AFTER PLATING = $\varnothing 0.31$ REF
- 4 CONTACT: 1.27 μ m MIN GOLD IN PAD CONTACT AREA
1.27 μ m MIN TIN-LEAD ON PCB TAIL
OVER 1.27 μ m MIN NICKEL OVER ALL.
POST: 1.27 μ m MIN NICKEL PLATED.
- 5 SEE TABLE 1 FOR INTERCONNECTIONS TO BACKPLANE CONNECTOR.
- 6 CONTACT: 1.27 μ m MIN GOLD IN PAD CONTACT AREA,
1.27 μ m MIN TIN ON PCB TAIL OVER 1.27 μ m MIN.
NICKEL OVER ALL.
POST: 1.27 μ m MIN NICKEL PLATED.

TABLE 1
INTERCONNECTIONS WITH BACKPLANE CONNECTOR
2302791 OR 2302792

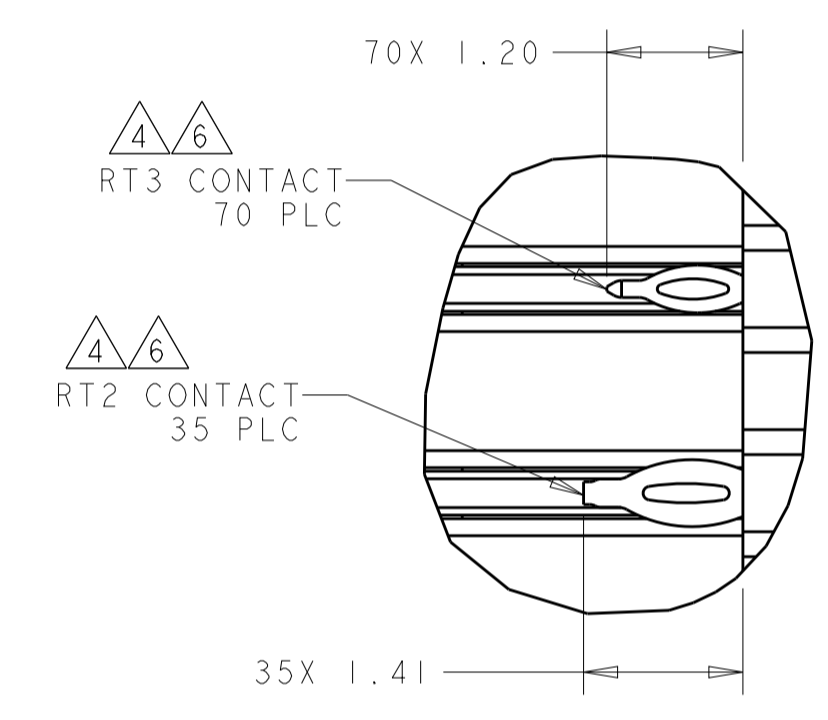
TYPICAL INTERCONNECTIONS FOR COLUMN (WAFER): 7, 9, 11, 13, 15		
CONTACT USAGE	DAUGHTERCARD CONNECTOR PIN	BACKPLANE CONNECTOR PIN
SIGNAL PAIR	ax	ax
SIGNAL PAIR	bx	bx
SIGNAL PAIR	dx	ex
SIGNAL PAIR	ex	fx
SIGNAL PAIR	gx	ix
GROUPS	cx, fx, (ALL COMMONED)	cx, dx, gx, hx

TYPICAL INTERCONNECTIONS FOR COLUMN (WAFER): 8, 10, 12, 14, 16		
CONTACT USAGE	DAUGHTERCARD CONNECTOR PIN	BACKPLANE CONNECTOR PIN
SIGNAL PAIR	bx	cx
SIGNAL PAIR	cx	dx
SIGNAL PAIR	ex	gx
SIGNAL PAIR	fx	hx
GROUPS	ax, dx, gx (ALL COMMONED)	ax, bx, ex, fx, ix

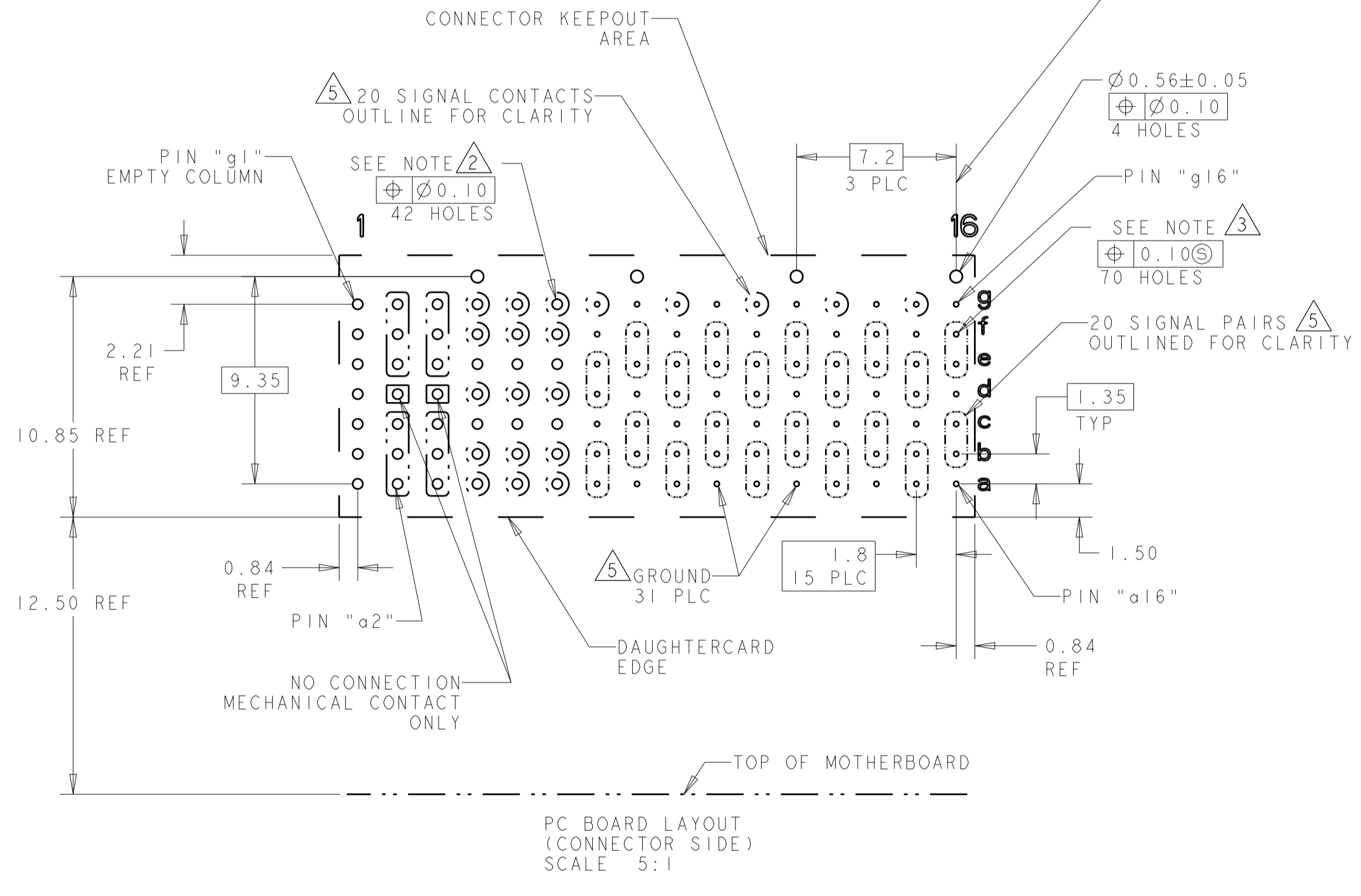
TYPICAL INTERCONNECTIONS FOR COLUMN (WAFER): 4, 5, 6		
CONTACT USAGE	DAUGHTERCARD CONNECTOR PIN	BACKPLANE CONNECTOR PIN
SIGNAL	ax	bx
SIGNAL	bx	cx
SIGNAL	dx	ex
SIGNAL	fx	gx
SIGNAL	gx	hx
GROUPS	cx, ex (ALL COMMONED)	ax, dx, fx, ix

TYPICAL INTERCONNECTIONS FOR COLUMN (WAFER): 2, 3		
CONTACT USAGE	DAUGHTERCARD CONNECTOR PIN	BACKPLANE CONNECTOR PIN
POWER	ax, bx, cx	ax, bx, cx, dx
POWER	ex, fx, gx	fx, gx, hx, ix
NOT CONNECTED	dx	ex

NOTE: "x" DESIGNATES THE COLUMN NUMBER

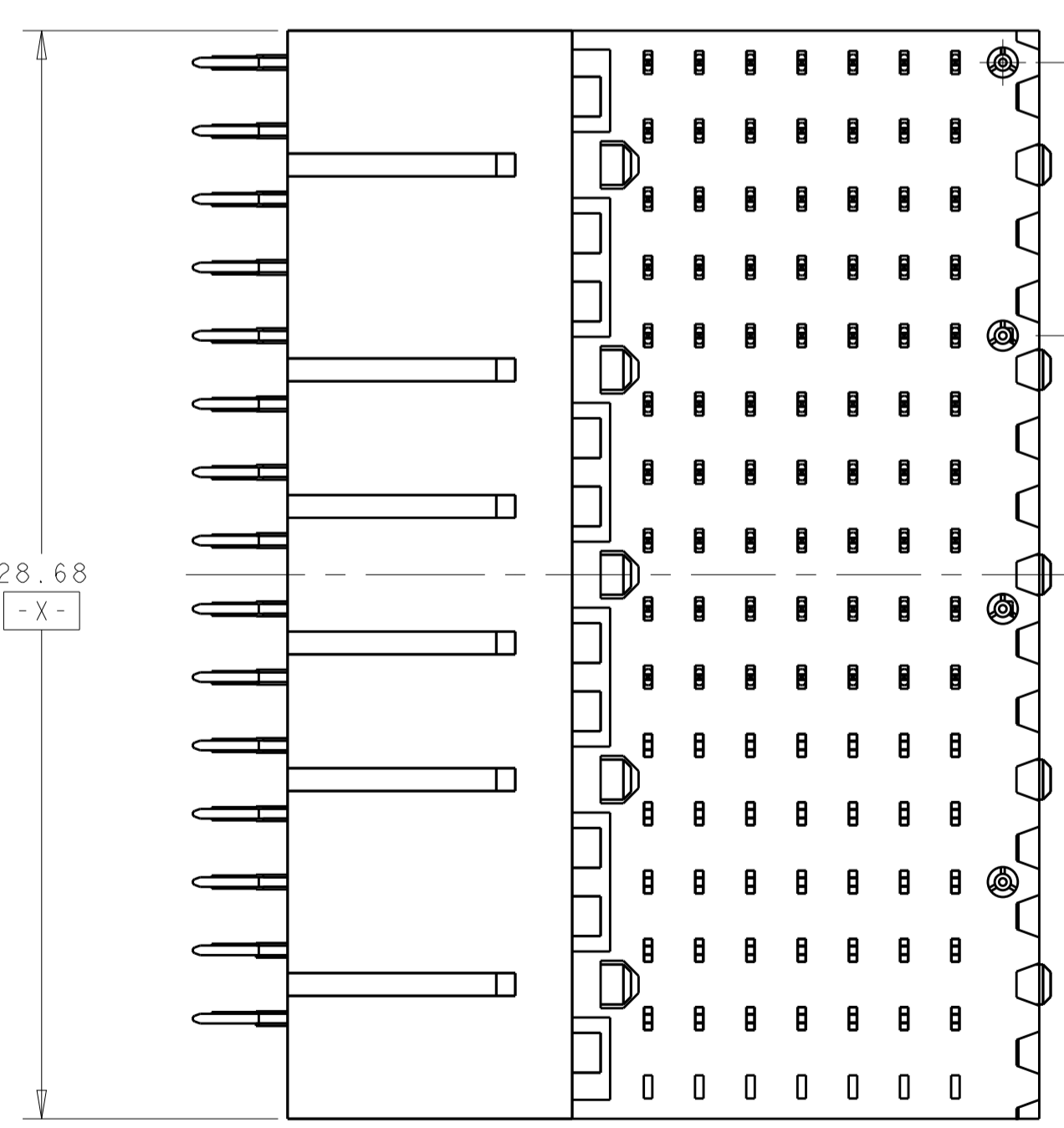


DETAIL B
SCALE 15:1



1	2	3	4	5	6	7	8	9	10	11	12	13	14	15	16
N	2	2	2	2	2	3	3	3	3	3	3	3	3	3	3
N	2	2	2	2	2	3	3	3	3	3	3	3	3	3	3
N	2	2	2	2	2	3	3	3	3	3	3	3	3	3	3
N	2	2	2	2	2	3	3	3	3	3	3	3	3	3	3
N	2	2	2	2	2	3	3	3	3	3	3	3	3	3	3
N	2	2	2	2	2	3	3	3	3	3	3	3	3	3	3

- 2 = RT2 CONTACT (SEE NOTE 2)
- 3 = RT3 CONTACT (SEE NOTE 3)
- N = NO CONTACT
- P = POST



THIS DRAWING IS A CONTROLLED DOCUMENT. OWN: R. MILLER 10JUL2017
 CHK: A. TSANG 10JUL2017
 APVD: -

DIMENSIONS: mm
 TOLERANCES UNLESS OTHERWISE SPECIFIED:
 0 PLC ±0.5
 1 PLC ±0.13
 2 PLC ±0.13
 3 PLC ±0.13
 4 PLC ±0.13
 ANGLES ±1°

MATERIAL: SEE TABLE
 FINISH: SEE TABLE

PRODUCT SPEC: 108-2072-3
 APPLICATION SPEC: 114-163004
 WEIGHT: 9.98g

NAME: RIGHT-ANGLE PLUG ASSY, RTM, CENTER, DIFFERENTIAL, SINGLE-ENDED AND POWER VPX, MULTIGIG RT 3
 SIZE: 100779
 CAGE CODE: 2302794
 DRAWING NO: 2302794-2
 PART NO: 2302794-1

SCALE: 5:1 SHEET: 1 OF 1 REV: A