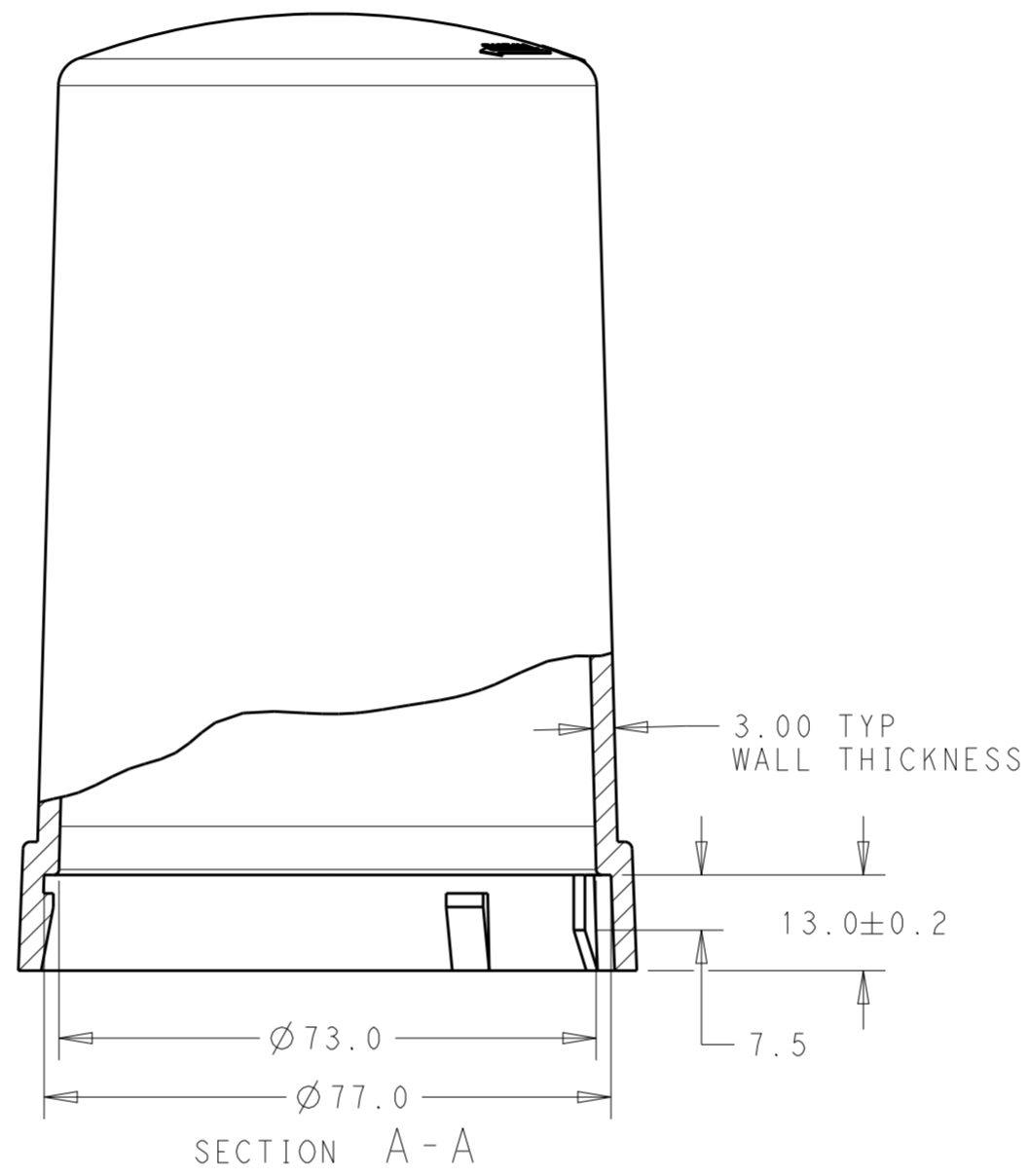
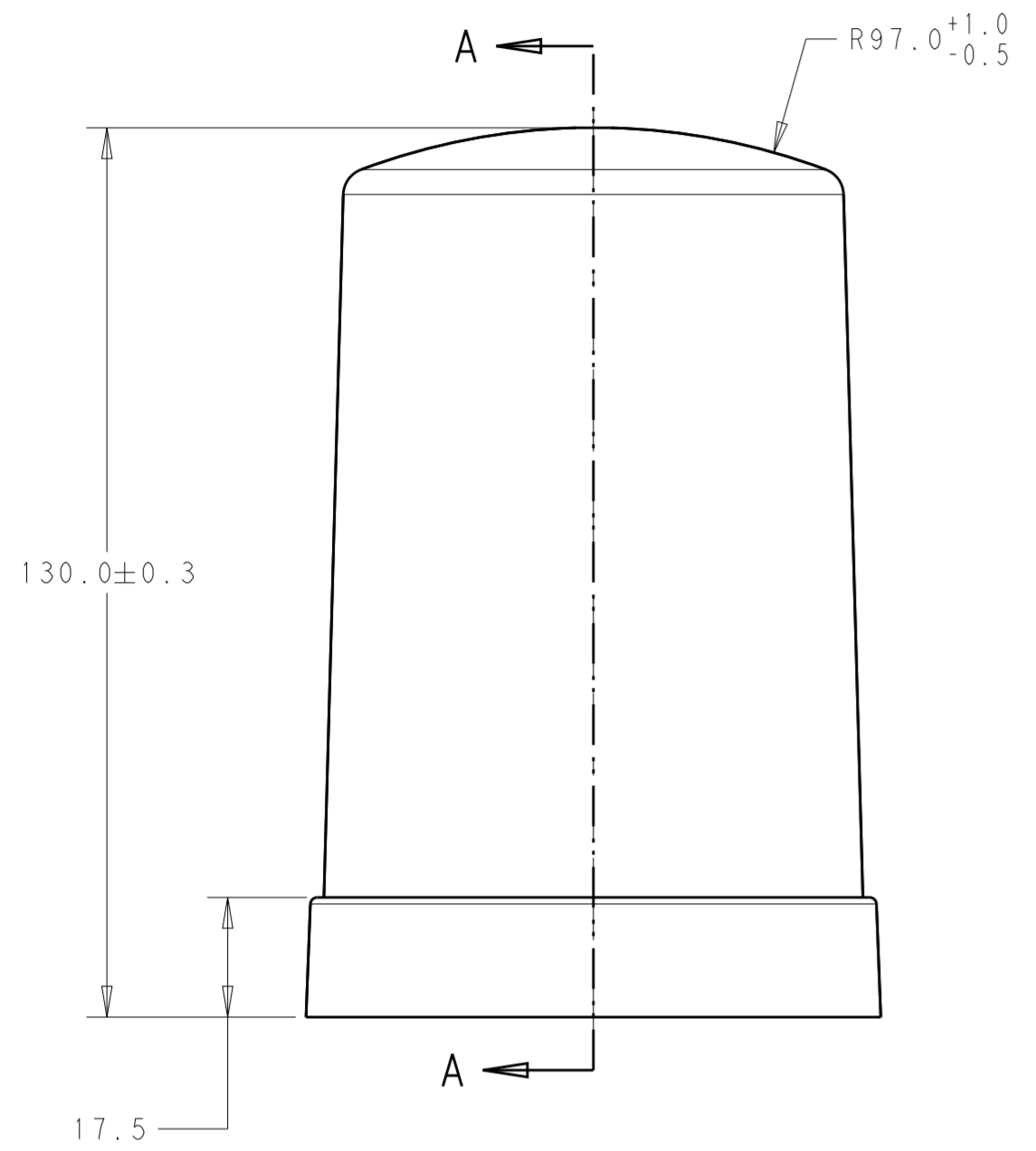
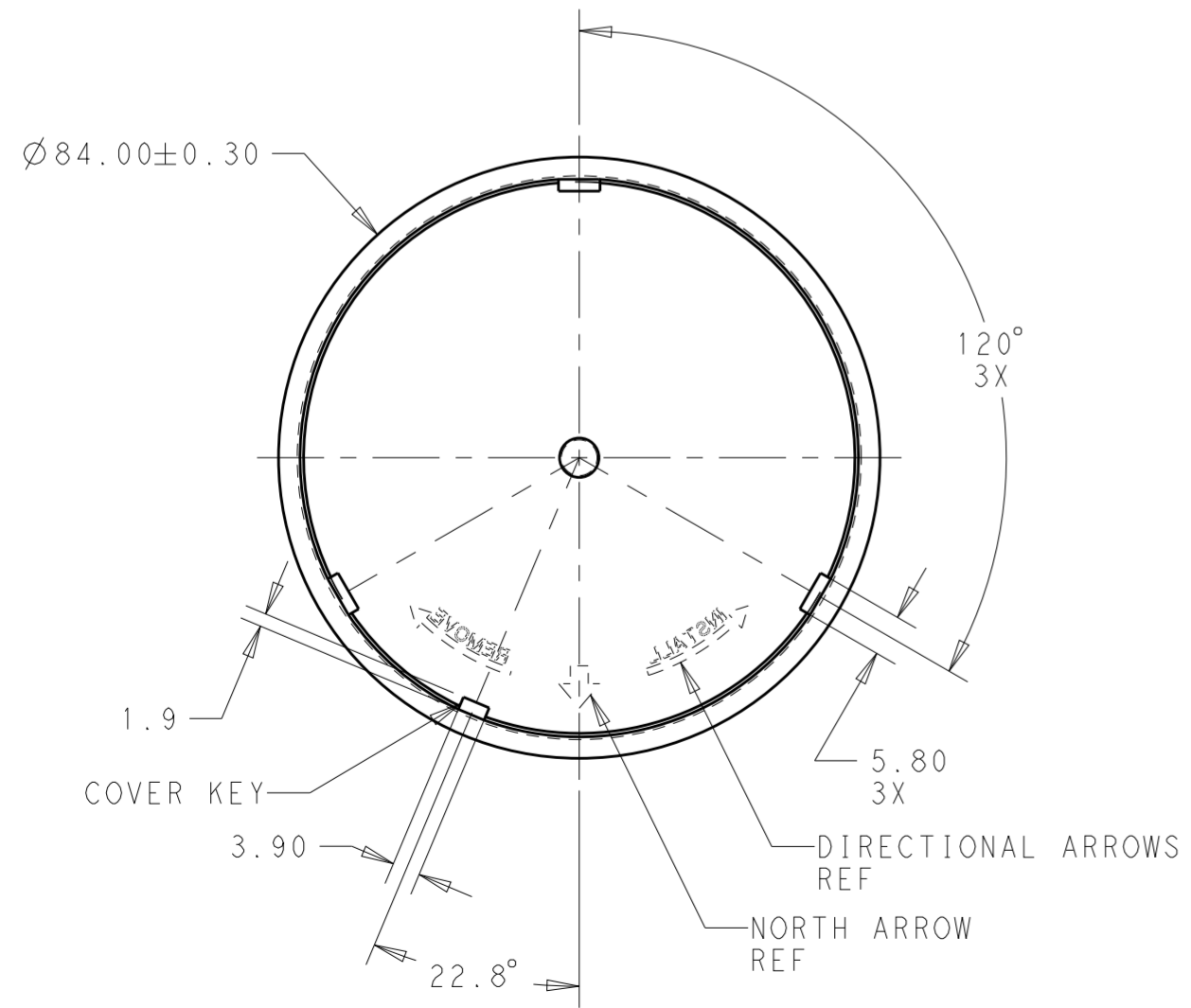
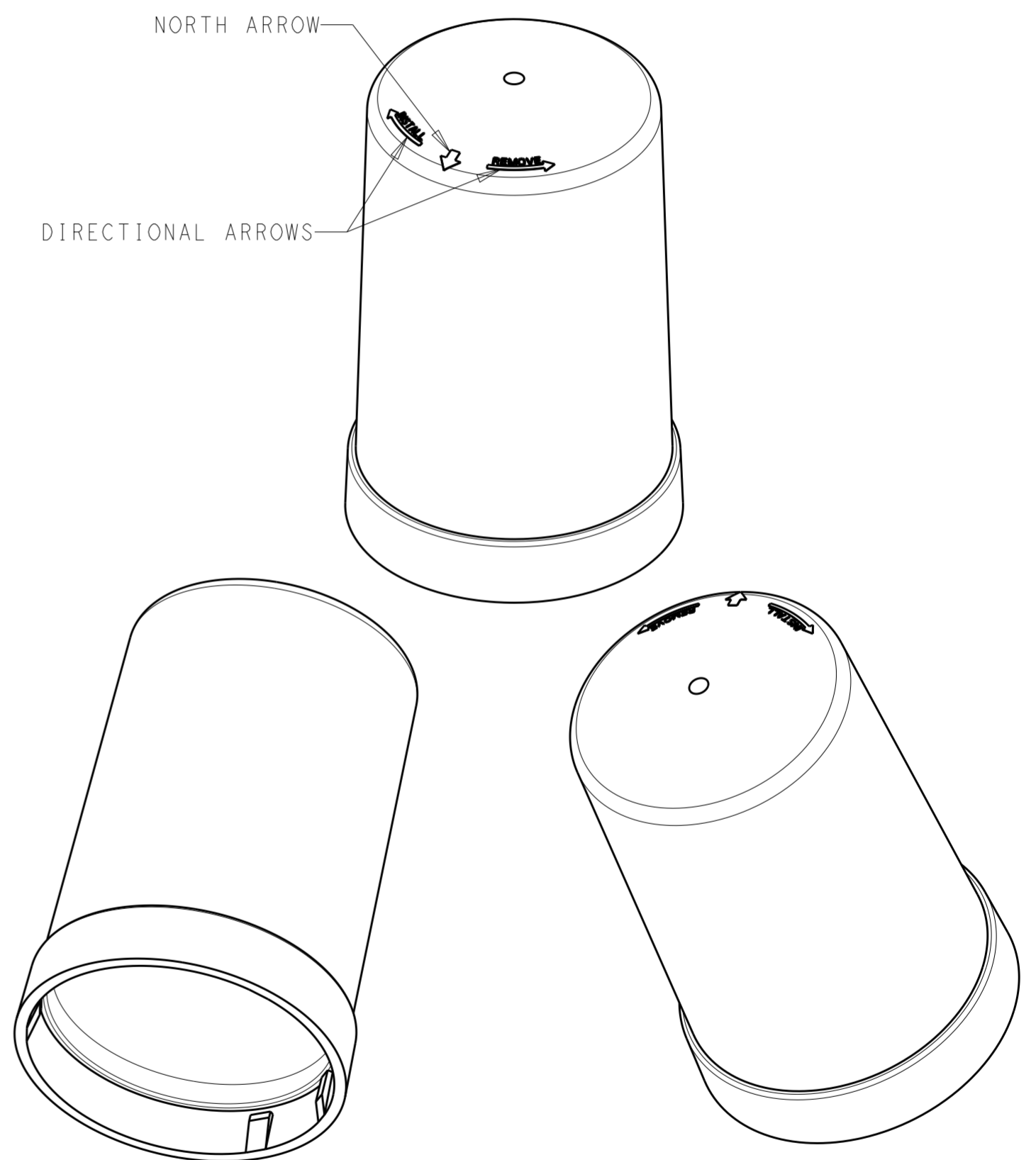


THIS DRAWING IS UNPUBLISHED. RELEASED FOR PUBLICATION 20  
 © COPYRIGHT 20 BY - ALL RIGHTS RESERVED.

| REVISIONS |     |                           |           |       |
|-----------|-----|---------------------------|-----------|-------|
| P         | LTR | DESCRIPTION               | DATE      | APVD  |
| A         |     | REVISED PER ECO-17-010638 | 21JUL2017 | RK DD |
| B         |     | REVISED PER ECR-19-010486 | 10JUL2019 | SR DD |
|           |     |                           |           |       |



NOTES:  
 1 MATERIALS:  
 HOUSING: POLYCARBONATE, UV 5VA RATED  
 COLOR: SEE TABLE  
 2 MATING BASE TE P/N: 2213730-X  
 3. THIS PRODUCT HAS NOT COMPLETED VALIDATION TESTING.



|                           |                        |             |
|---------------------------|------------------------|-------------|
| 78%                       | TRANSPARENT CLEAR      | 1-2306129-1 |
| 24%                       | TRANSPARENT SMOKE GRAY | 2306129-1   |
| APPROX LIGHT TRANSMISSION |                        | PART NO.    |

|                                        |  |                                                                                                                                   |                 |                                                  |
|----------------------------------------|--|-----------------------------------------------------------------------------------------------------------------------------------|-----------------|--------------------------------------------------|
| THIS DRAWING IS A CONTROLLED DOCUMENT. |  | DWN<br>J. SHAFFER<br>07JUL2016                                                                                                    | TE Connectivity |                                                  |
|                                        |  | CHK<br>E. HOWARD<br>07JUL2016                                                                                                     |                 |                                                  |
| DIMENSIONS:<br>mm                      |  | TOLERANCES UNLESS OTHERWISE SPECIFIED:<br>0 PLC ±-<br>1 PLC ±0.2<br>2 PLC ±0.13<br>3 PLC ±-<br>4 PLC ±-<br>ANGLES ±3°<br>FINISH - |                 | NAME<br>COVER,<br>LIGHT CONTROLLER, TALL, 76 DIA |
| MATERIAL<br>-                          |  | PRODUCT SPEC<br>108-32125                                                                                                         | SIZE<br>A2      | RESTRICTED TO<br>-                               |
|                                        |  | APPLICATION SPEC<br>114-32159                                                                                                     | CAGE CODE<br>-  | DRAWING NO<br>C-2306129                          |
|                                        |  | WEIGHT<br>-                                                                                                                       | SCALE<br>1:1    | SHEET<br>1 OF 1                                  |
|                                        |  | CUSTOMER DRAWING                                                                                                                  | REV<br>B        |                                                  |