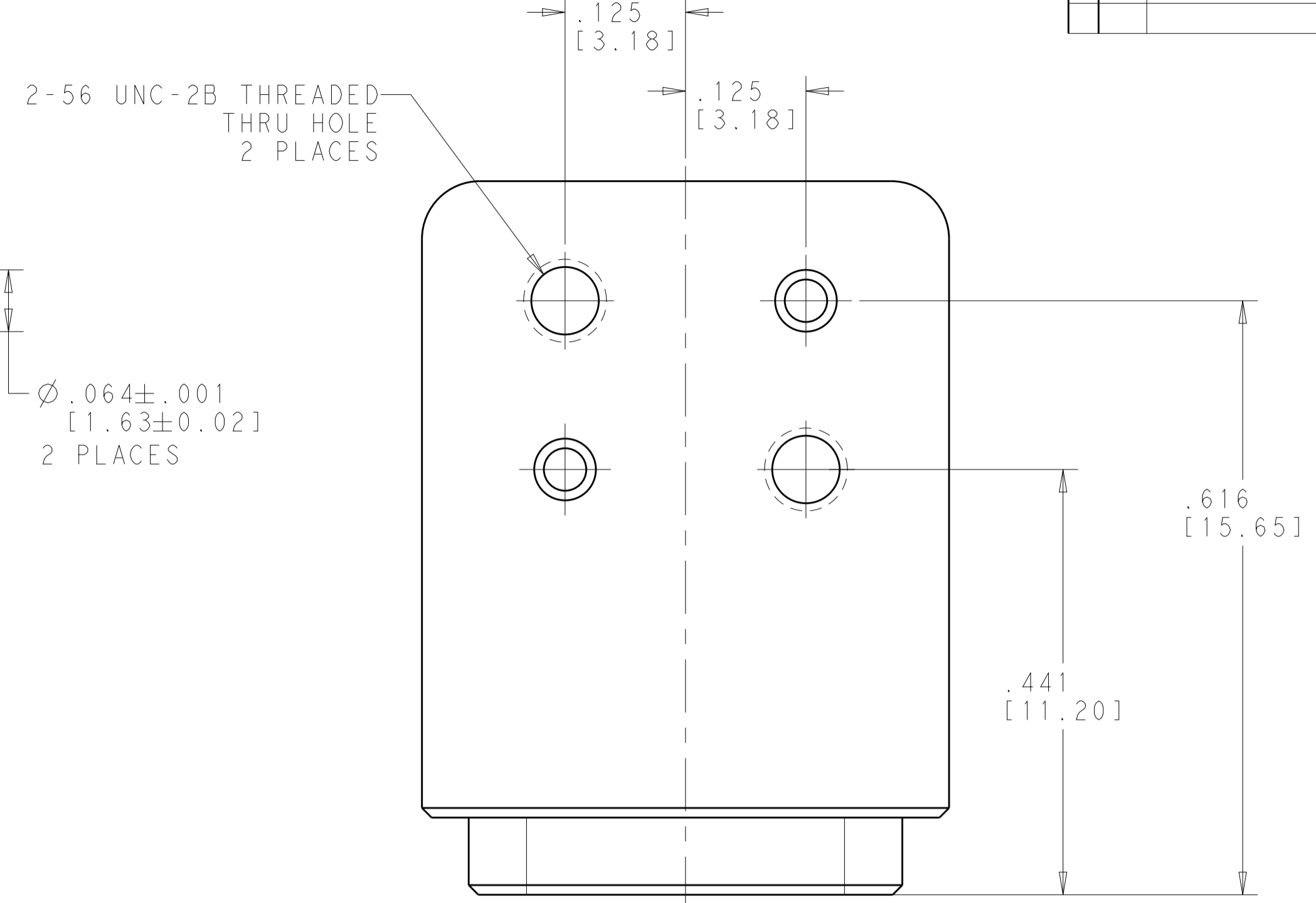
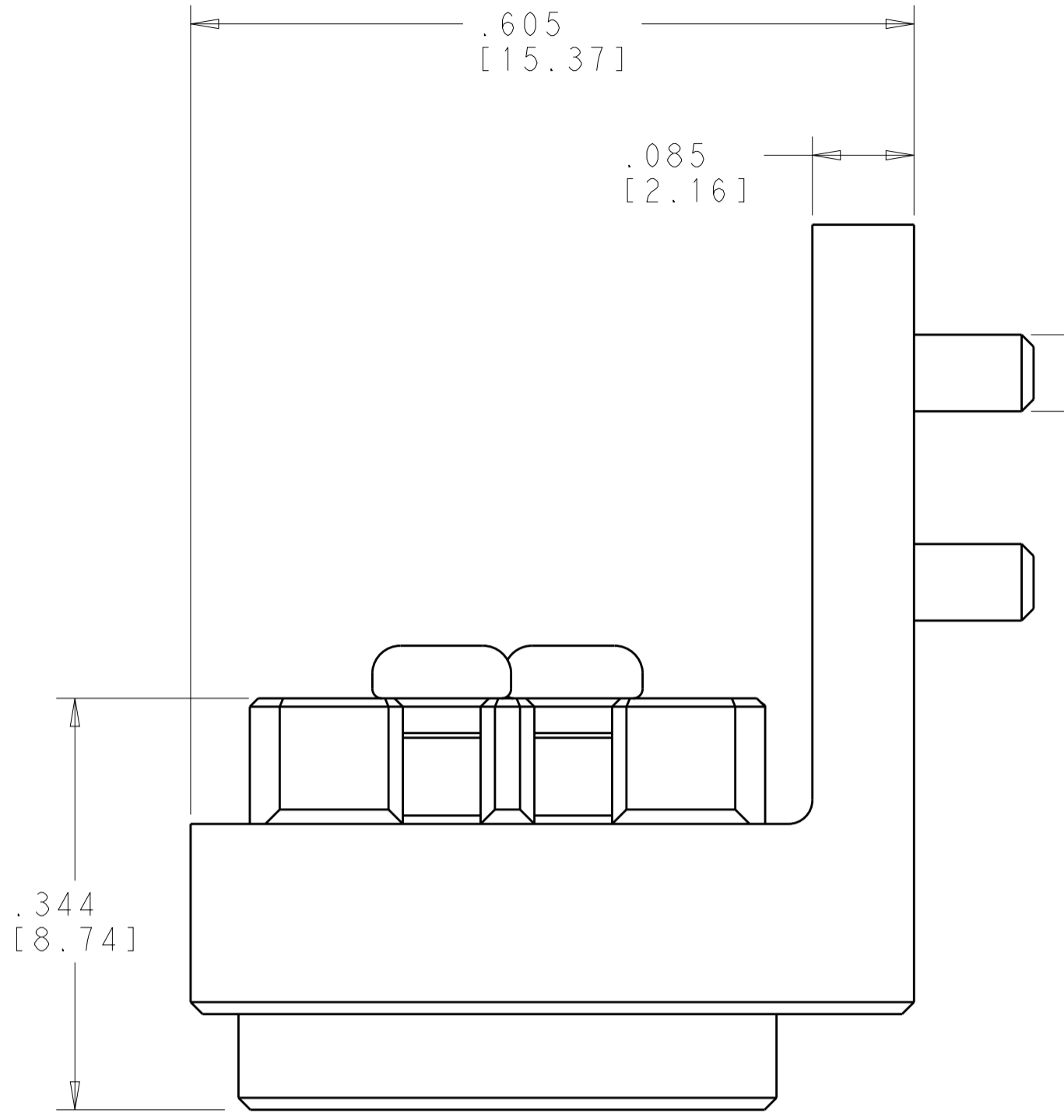
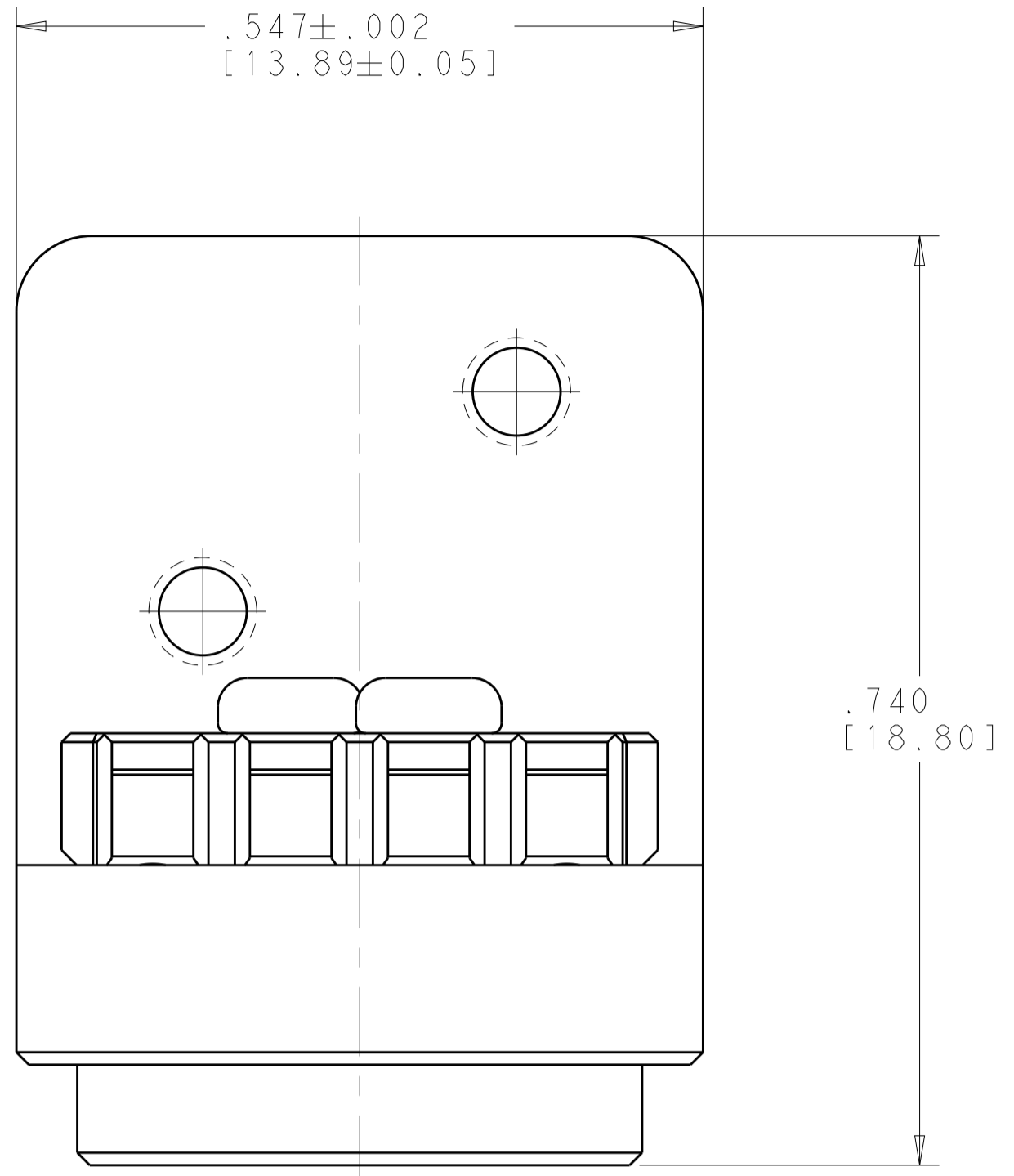
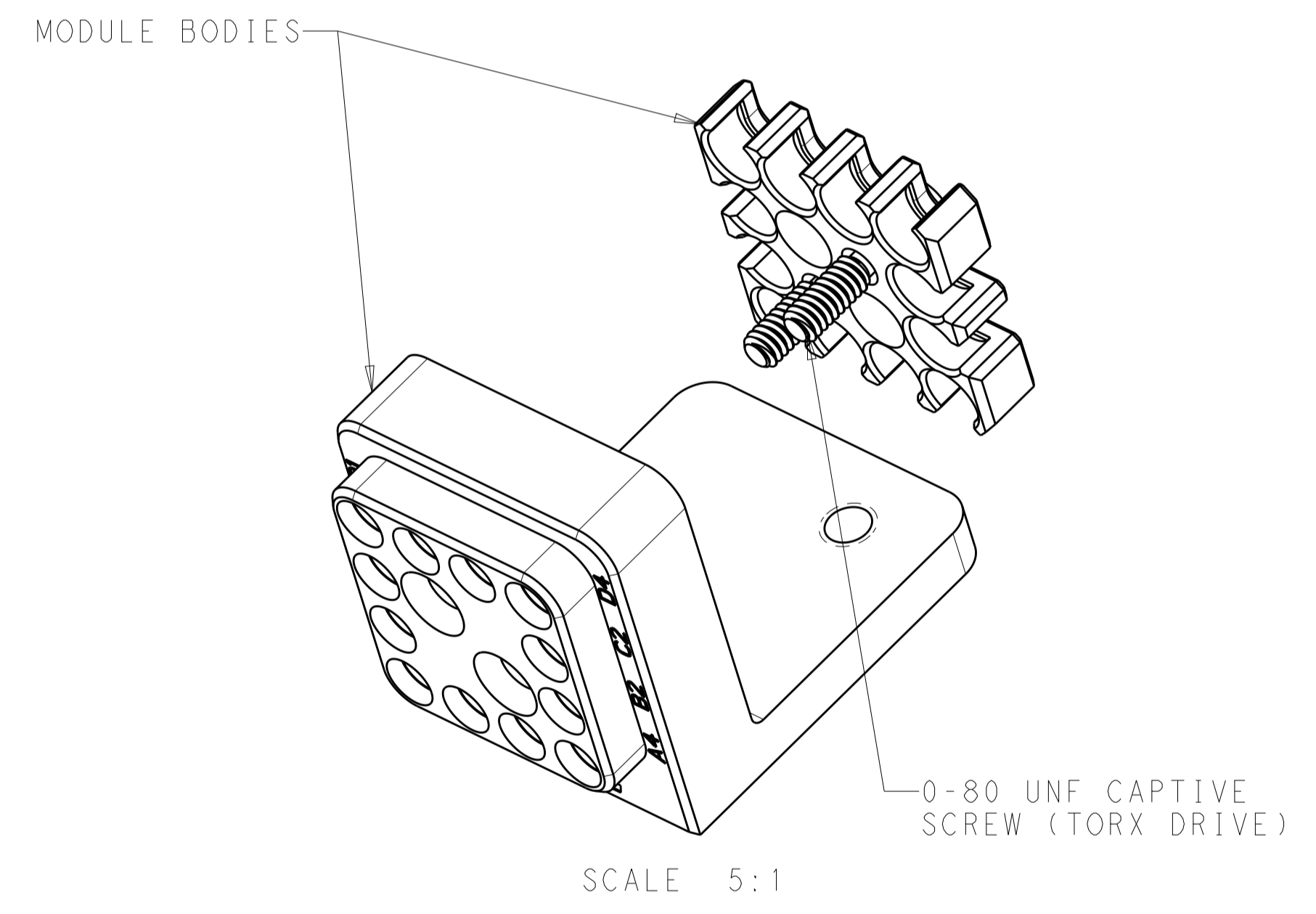
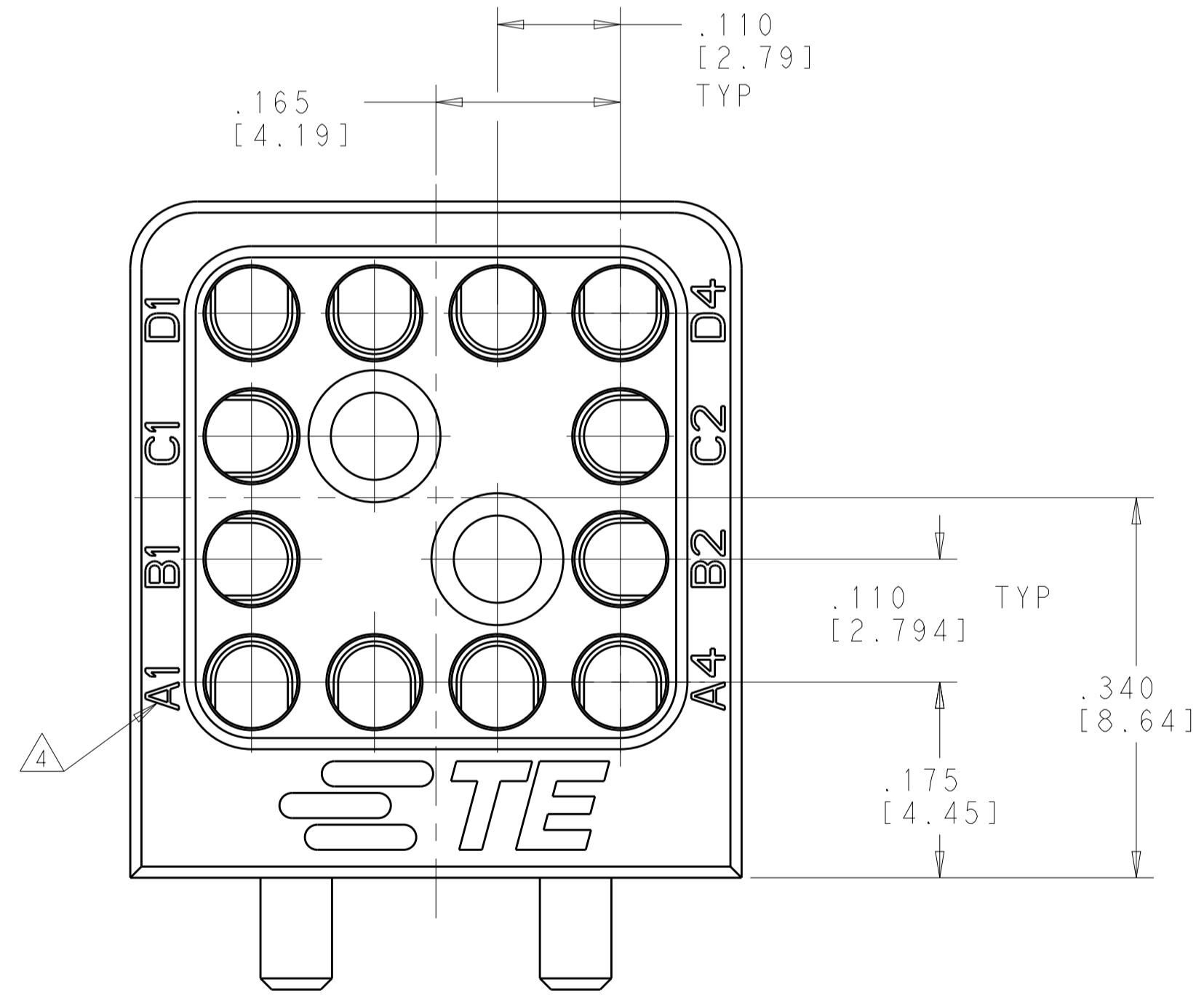


REVISIONS				
P.	LTM	DESCRIPTION	DATE	OWN APVD
A		RELEASED PER ECO 18-016587	10-23-18	CT FB



2-56 UNC-2B THREADED THRU HOLE 2 PLACES
 $\varnothing .064 \pm .001$ [1.63±0.02] 2 PLACES

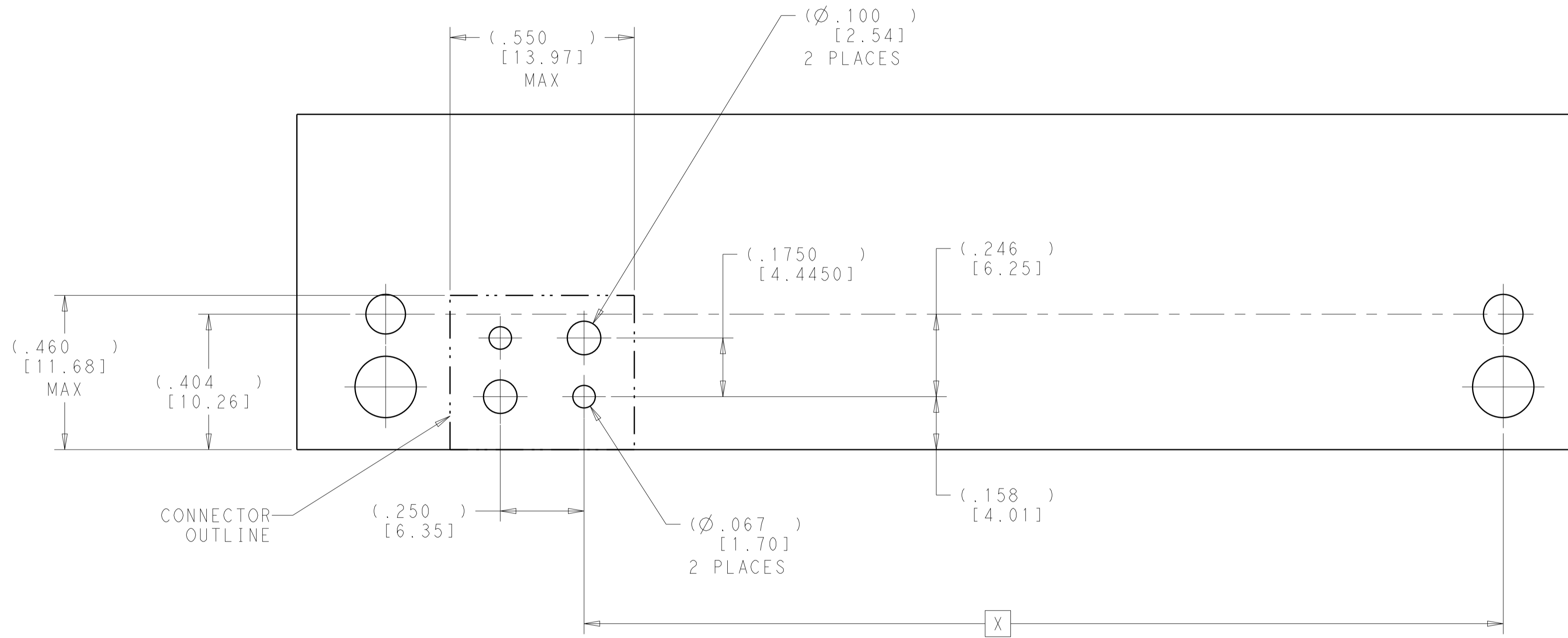


- 1 MATERIAL:
MODULE BODIES - SEE TABLE
SCREWS - 300 SERIES STAINLESS STEEL
- 2 FINISH:
MODULE BODIES - SEE TABLE
SCREWS - PASSIVATED
- 3. SHIPPED IN KIT FORM.
- 4 CIRCUIT IDENTIFICATION MARKING

CLEAR CHROMATE CONVERSION COATING	ALUMINUM ALLOY 7075	2313225-2
PASSIVATED	STAINLESS STEEL PER UNS S30300	2313225-1
MODULE FINISH 2	MODULE MATERIAL 1	PART NUMBER

THIS DRAWING IS A CONTROLLED DOCUMENT.		OWN: K. MILLER 19JUN2017	TE Connectivity
DIMENSIONS: INCHES/mm		CHK: K. DOWHOWER 19JUN2017	
TOLERANCES UNLESS OTHERWISE SPECIFIED:		APVD: K. DOWHOWER 19JUN2017	
0 PLC ± 1 PLC ± 2 PLC ± 3 PLC ±.005(0.13) 4 PLC ± ANGLES ±		NAME: 12 POSITION NanoRF MODULE P.C.B. MOUNT - DAUGHTERCARD VITA	
MATERIAL 1	FINISH 2	PRODUCT SPEC: 108-163006 APPLICATION SPEC: 408-163016 WEIGHT:	SIZE: CAGE CODE DRAWING NO: A100779C=2313225 RESTRICTED TO:
CUSTOMER DRAWING		SCALE: 8:1	SHEET 1 OF 2 REV A

REVISIONS				
P.	LTN.	DESCRIPTION	DATE	APVD.
-	-	SEE SHEET 1	-	-



DESIGNED FOR VITA 67.1 PCB LAYOUT
 (VIEW FROM TOP SIDE)

P2A	2.187[55.55]
P2B	2.743[69.67]
P3A	3.875[98.42]
P3B	4.431[112.54]
P4A	5.009[127.22]
P4B	5.565[141.34]
P5A	6.142[156.02]
P5B	6.698[170.14]
P6A	7.276[184.82]
P6B	7.832[198.94]
POSITION	DIM "X"

THIS DRAWING IS A CONTROLLED DOCUMENT.		DWN K. MILLER 19JUN2017 CHK K. DOWHOWER 19JUN2017 APVD K. DOWHOWER 19JUN2017	TE Connectivity
DIMENSIONS: INCHES/mm	TOLERANCES UNLESS OTHERWISE SPECIFIED:	NAME 12 POSITION NanoRF MODULE P.C.B. MOUNT - DAUGHTERCARD VITA	
	0 PLC ±. 1 PLC ±. 2 PLC ±. 3 PLC ±.005[0.13] 4 PLC ±. ANGLES ±. FINISH	PRODUCT SPEC 108-163006 APPLICATION SPEC 408-163016	SIZE CAGE CODE DRAWING NO A100779C=2313225
MATERIAL	FINISH	WEIGHT	RESTRICTED TO
CUSTOMER DRAWING		SCALE 5:1	SHEET 2 OF 2 REV A