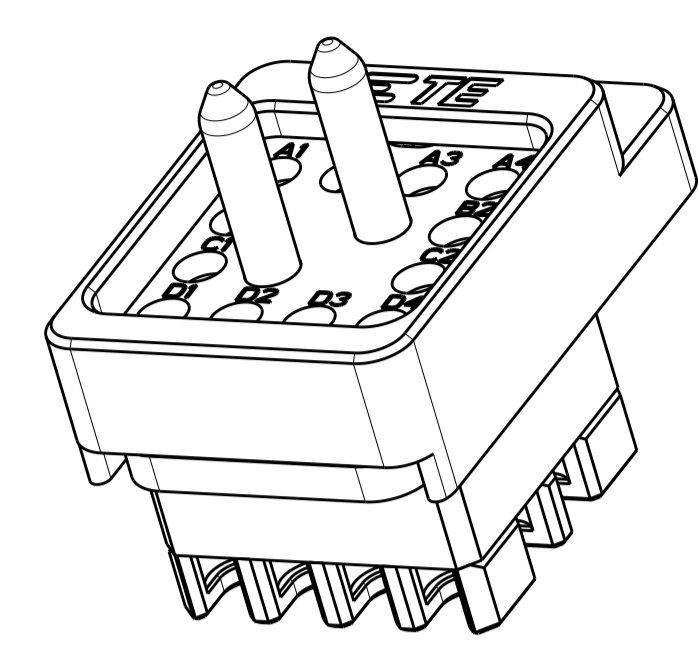
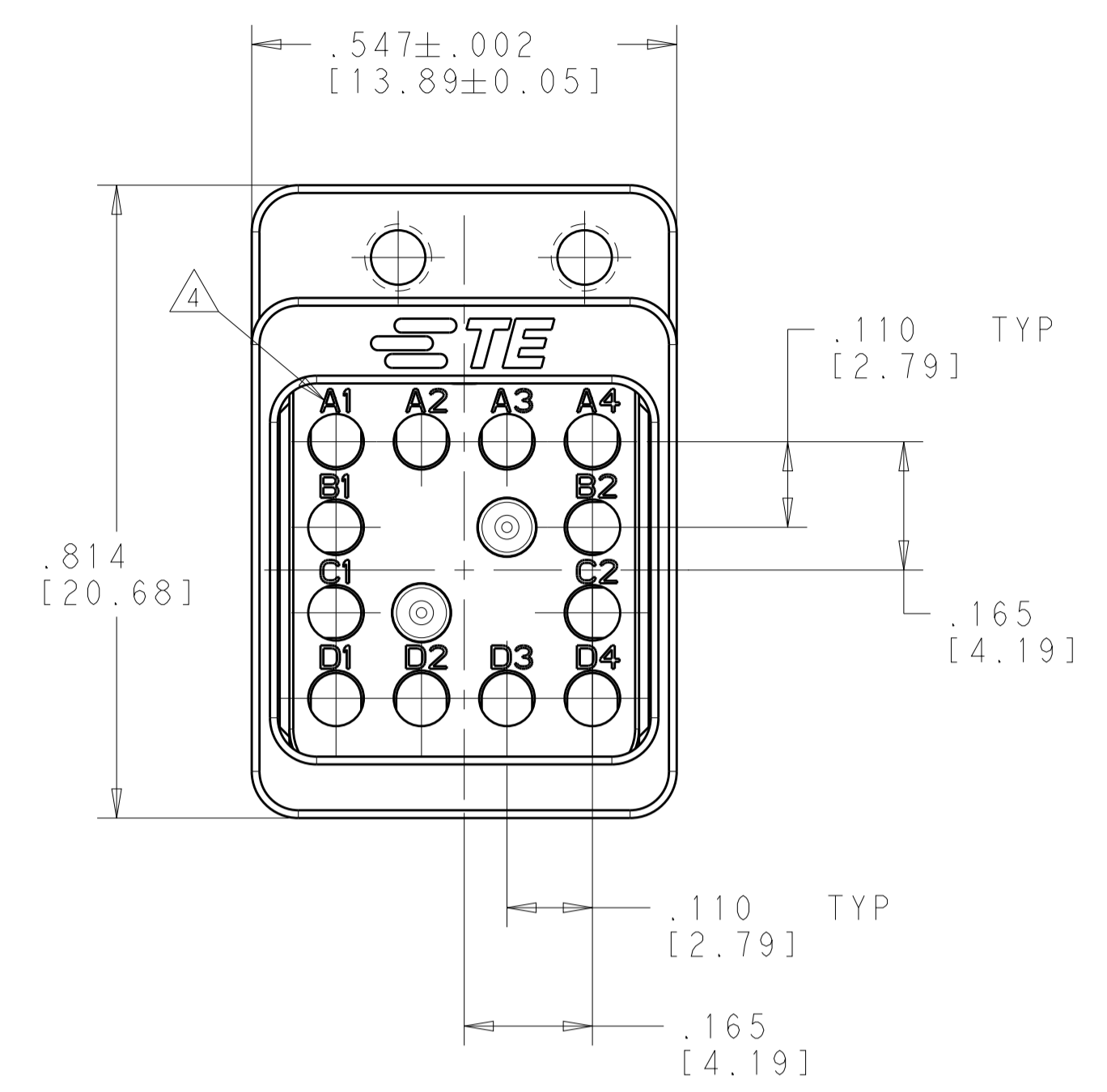
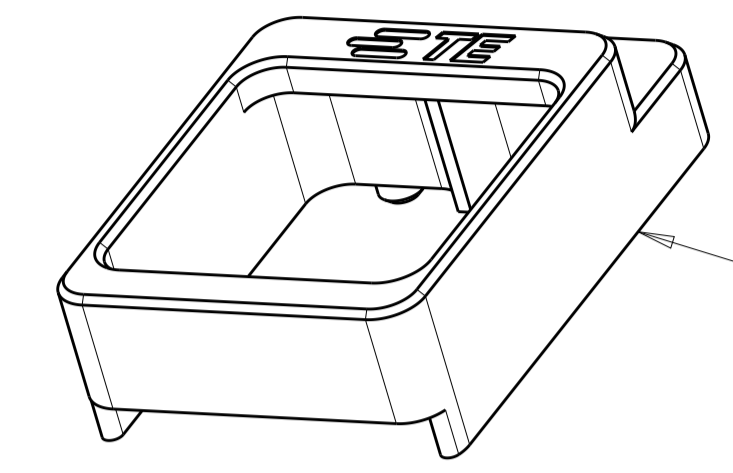


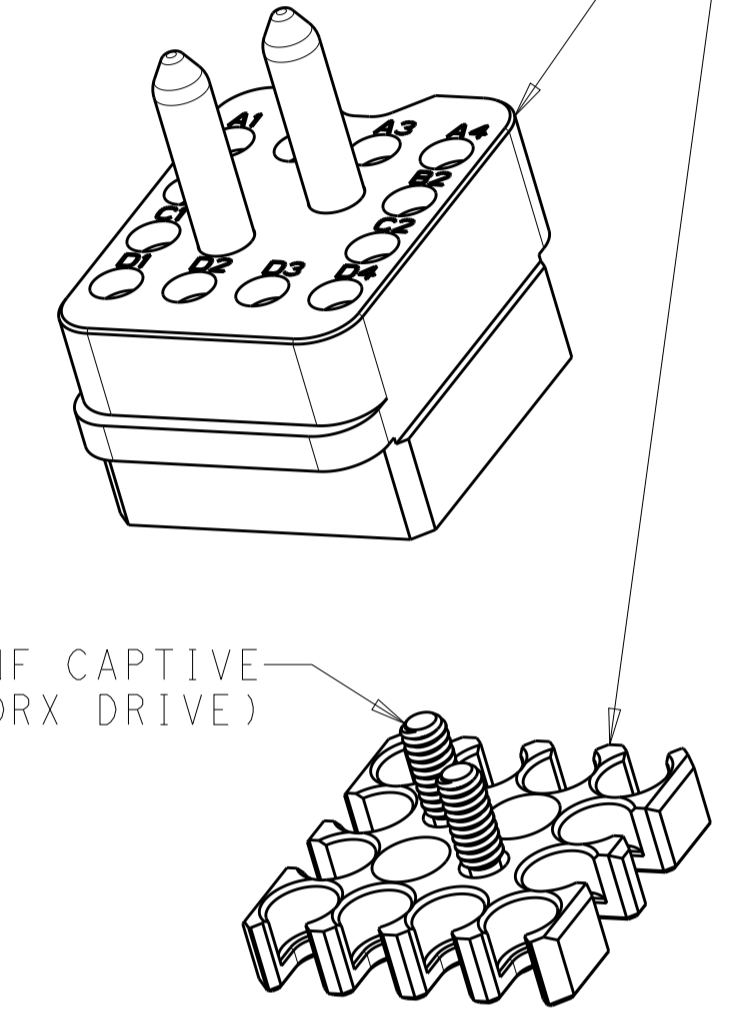
REVISIONS				
P.	LTN.	DESCRIPTION	DATE	OWN APVD
A		RELEASED PER ECO 18-016587	10-23-18	CT FB



SCALE 4:1

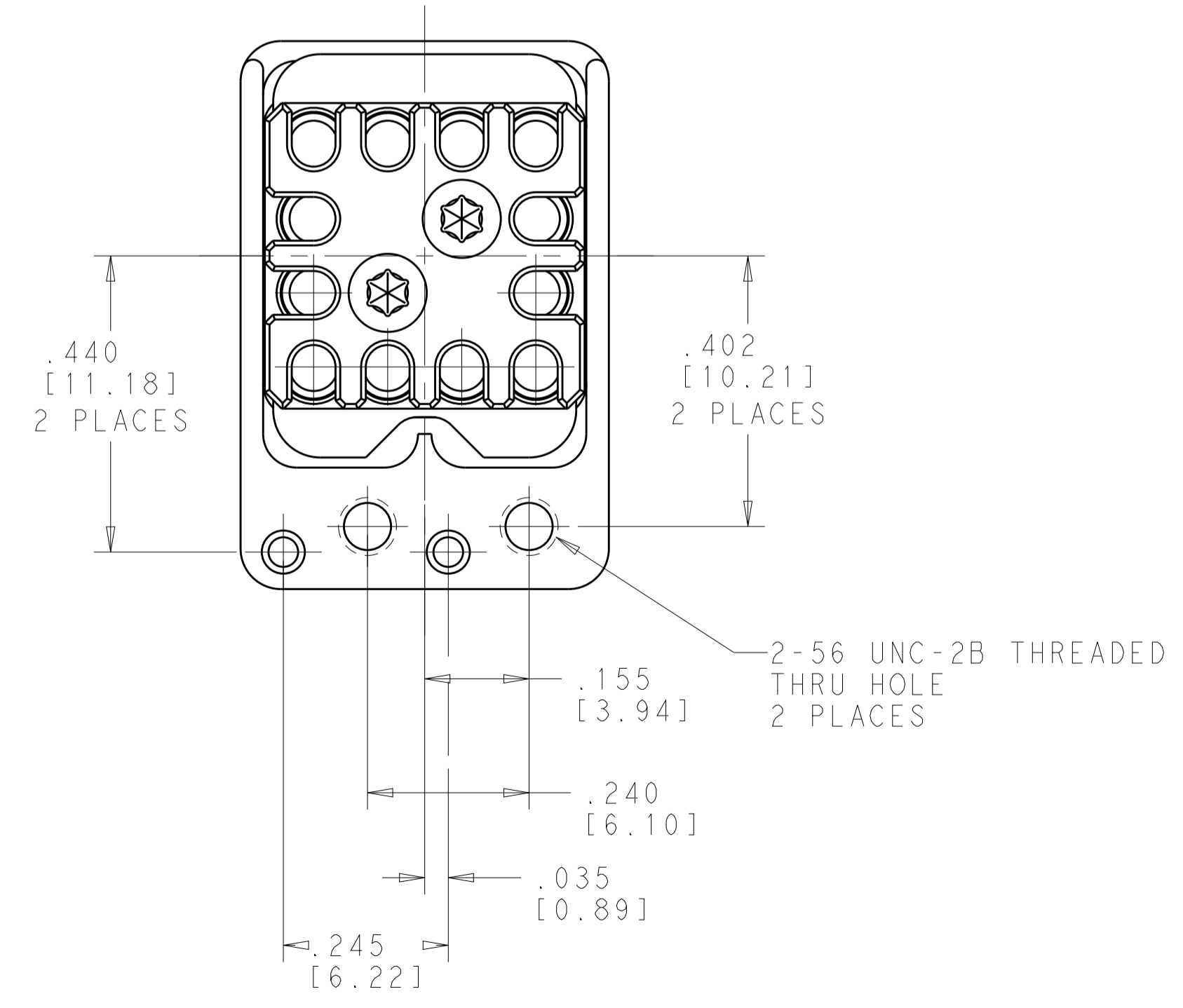
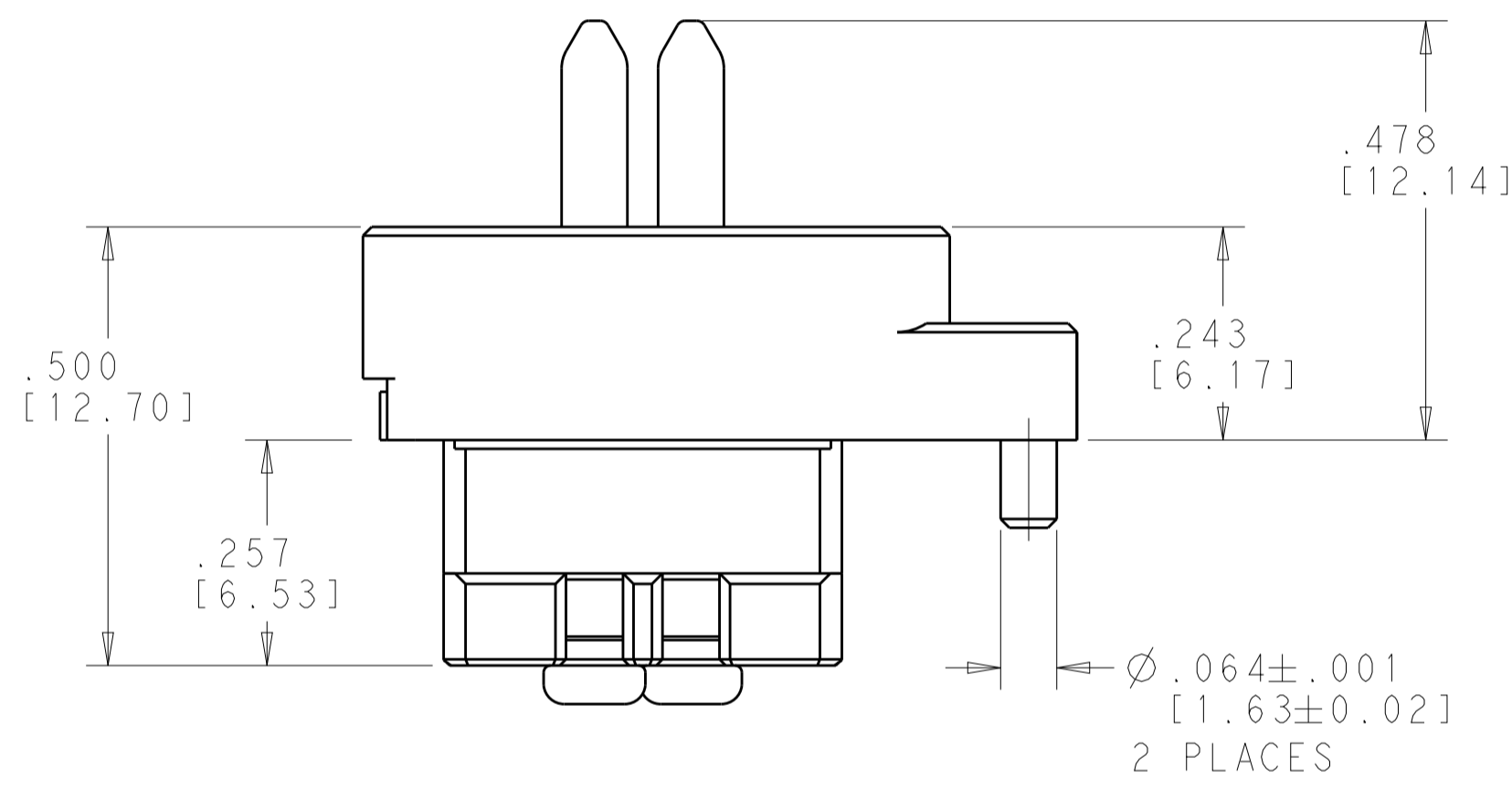
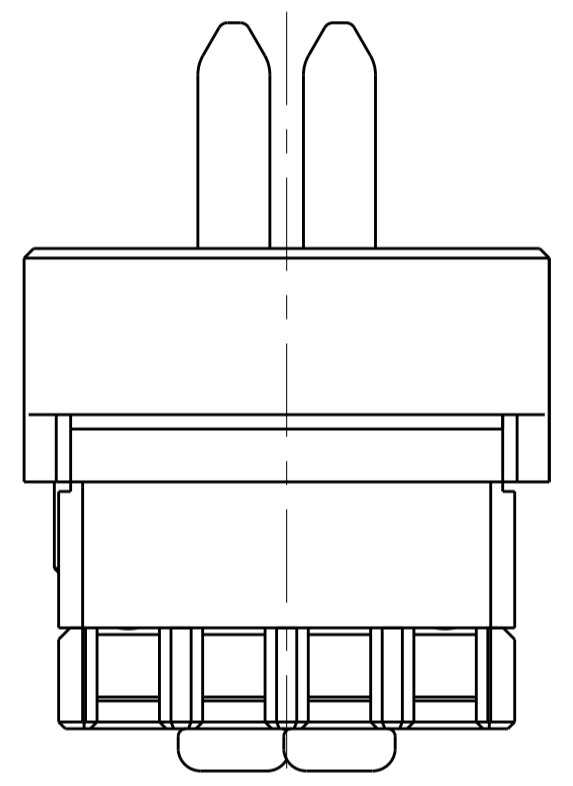


MODULE BODIES



0-80 UNF CAPTIVE SCREW (TORX DRIVE)

SCALE 4:1

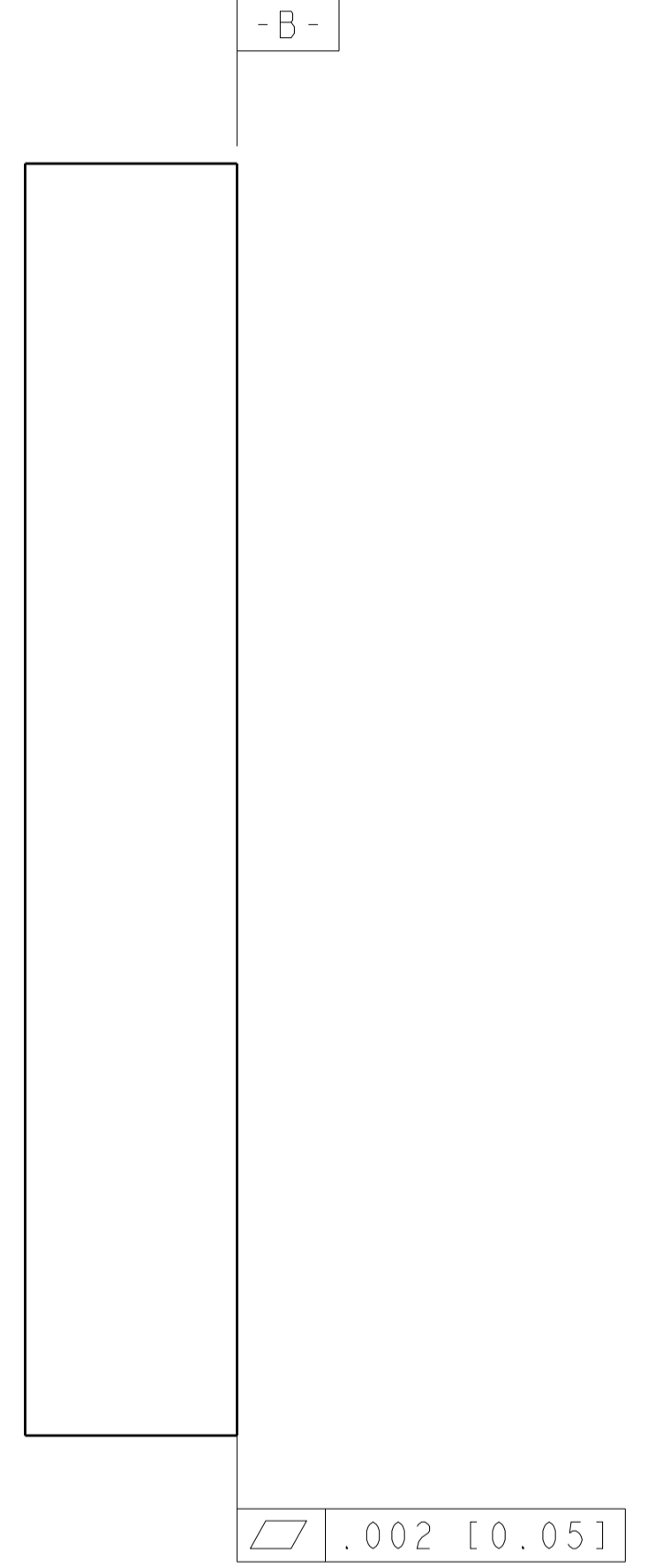
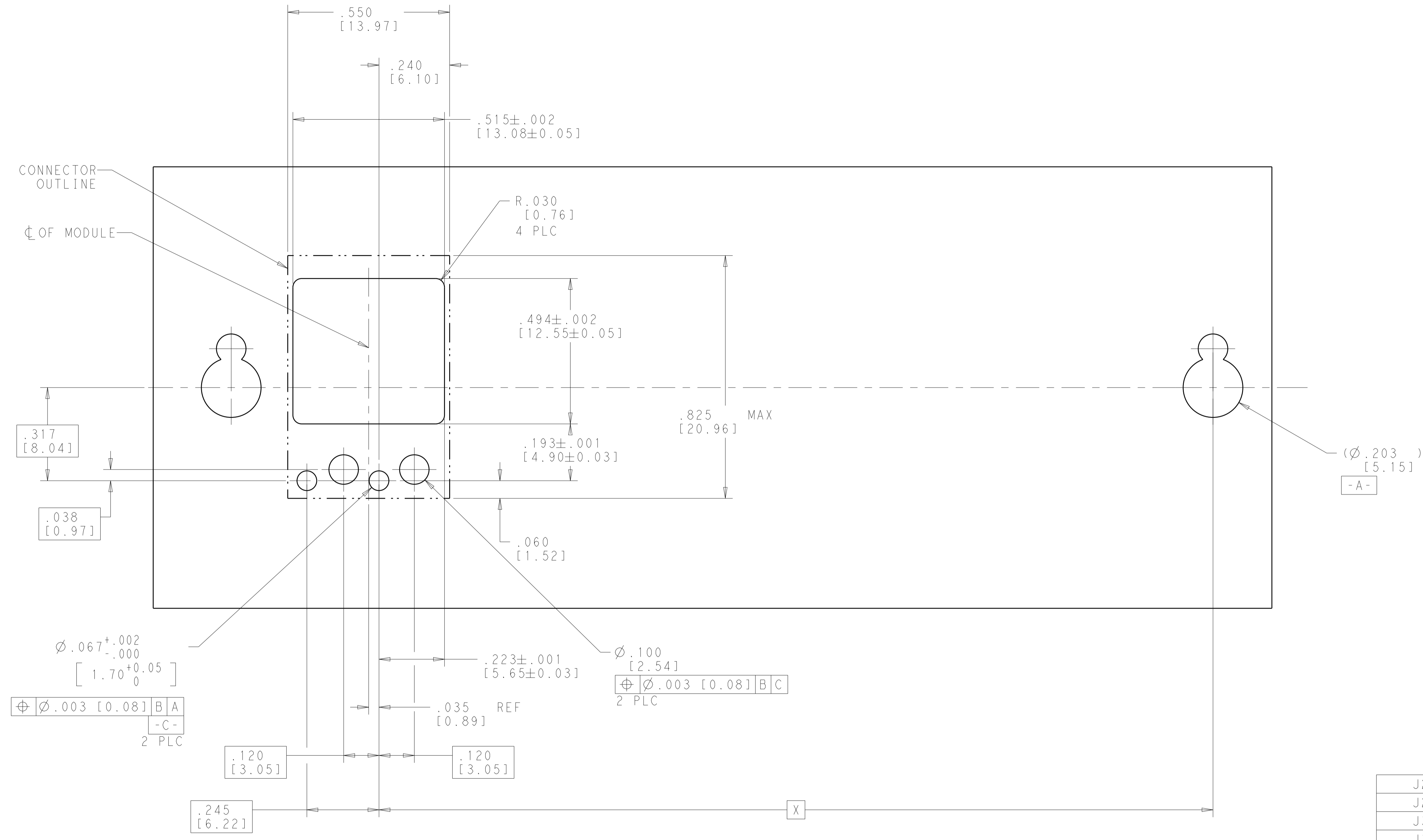


- 1 MATERIAL:  
MODULE BODIES - SEE TABLE  
GUIDE PIN - STAINLESS STEEL, PER UNS S30300  
SCREWS - 300 SERIES STAINLESS STEEL
- 2 FINISH:  
MODULE BODIES - SEE TABLE  
SCREWS AND GUIDE PIN - PASSIVATED
- 3. SHIPPED IN KIT FORM.
- 4 CIRCUIT IDENTIFICATION MARKING

CLEAR CHROMATE CONVERSION COATING	ALUMINUM ALLOY 7075	2313228-2
PASSIVATED	STAINLESS STEEL PER UNS S30300	2313228-1
MODULE FINISH 2	MODULE MATERIAL 1	PART NUMBER

THIS DRAWING IS A CONTROLLED DOCUMENT.		OWN R. MILLER 17JUN2017	TE Connectivity	
DIMENSIONS: INCHES/mm		CHK K. DOWHOWER 19JUN2017	NAME 12 POSITION NanoRF MODULE P.C.B. MOUNT - BACKPLANE VITA	
TOLERANCES UNLESS OTHERWISE SPECIFIED:		APVD K. DOWHOWER 19JUN2017	PRODUCT SPEC	
0 PLC ±		APPLICATION SPEC		
1 PLC ±		108-163006		
2 PLC ±		408-163016		
3 PLC ±.005(0.13)		SIZE CAGE CODE DRAWING NO		
4 PLC ±		A100779C=2313228		
ANGLES ±		RESTRICTED TO		
FINISH		CUSTOMER DRAWING		
SCALE 5:1		SHEET 1 OF 2 REV A		

REVISIONS				
P.	LTN	DESCRIPTION	DATE	APVD
-		SEE SHEET 1	-	-



TYP PCB LAYOUT - VIEWED FROM BACKSIDE OF BACKPLANE

J2A	2.277[57.84]
J2B	2.833[71.96]
J3A	3.965[100.71]
J3B	4.521[114.83]
J4A	5.099[129.51]
J4B	5.655[143.64]
J5A	6.233[158.32]
J5B	6.789[172.44]
J6A	7.367[187.12]
J6B	7.922[201.22]
POSITION	DIM "X"

THIS DRAWING IS A CONTROLLED DOCUMENT.		DWN M. MILLER	17JUN2017		TE Connectivity
DIMENSIONS: INCHES/mm		CHK K. DOWHOWER	19JUN2017		
TOLERANCES UNLESS OTHERWISE SPECIFIED:		APVD K. DOWHOWER	19JUN2017	NAME 12 POSITION NanoRF MODULE P.C.B. MOUNT - BACKPLANE VITA	
0 PLC ±		PRODUCT SPEC		SIZE   CAGE CODE   DRAWING NO	
1 PLC ±		108-163006		RESTRICTED TO	
2 PLC ±		APPLICATION SPEC		A100779C=2313228	
3 PLC ±.005[0.13]		408-163016		SCALE 8:1 SHEET 2 OF 2 REV A	
4 PLC ±		WEIGHT			
ANGLES ±		CUSTOMER DRAWING			
FINISH					