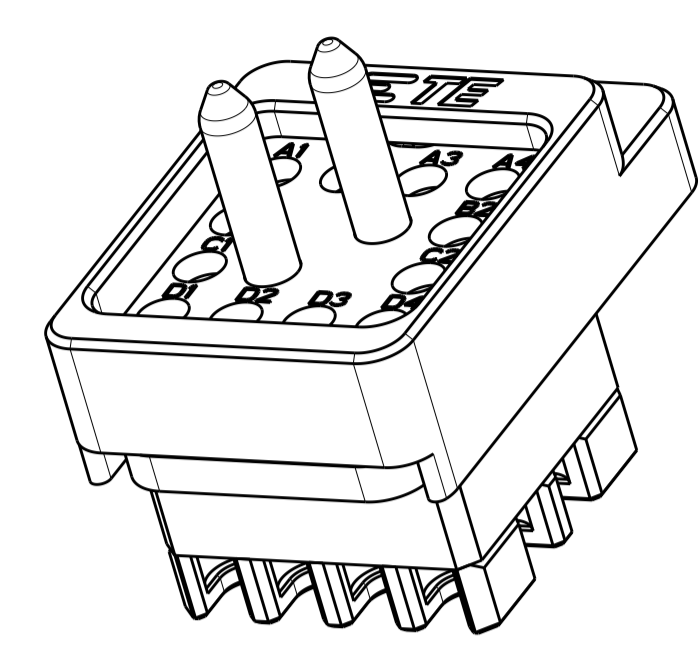
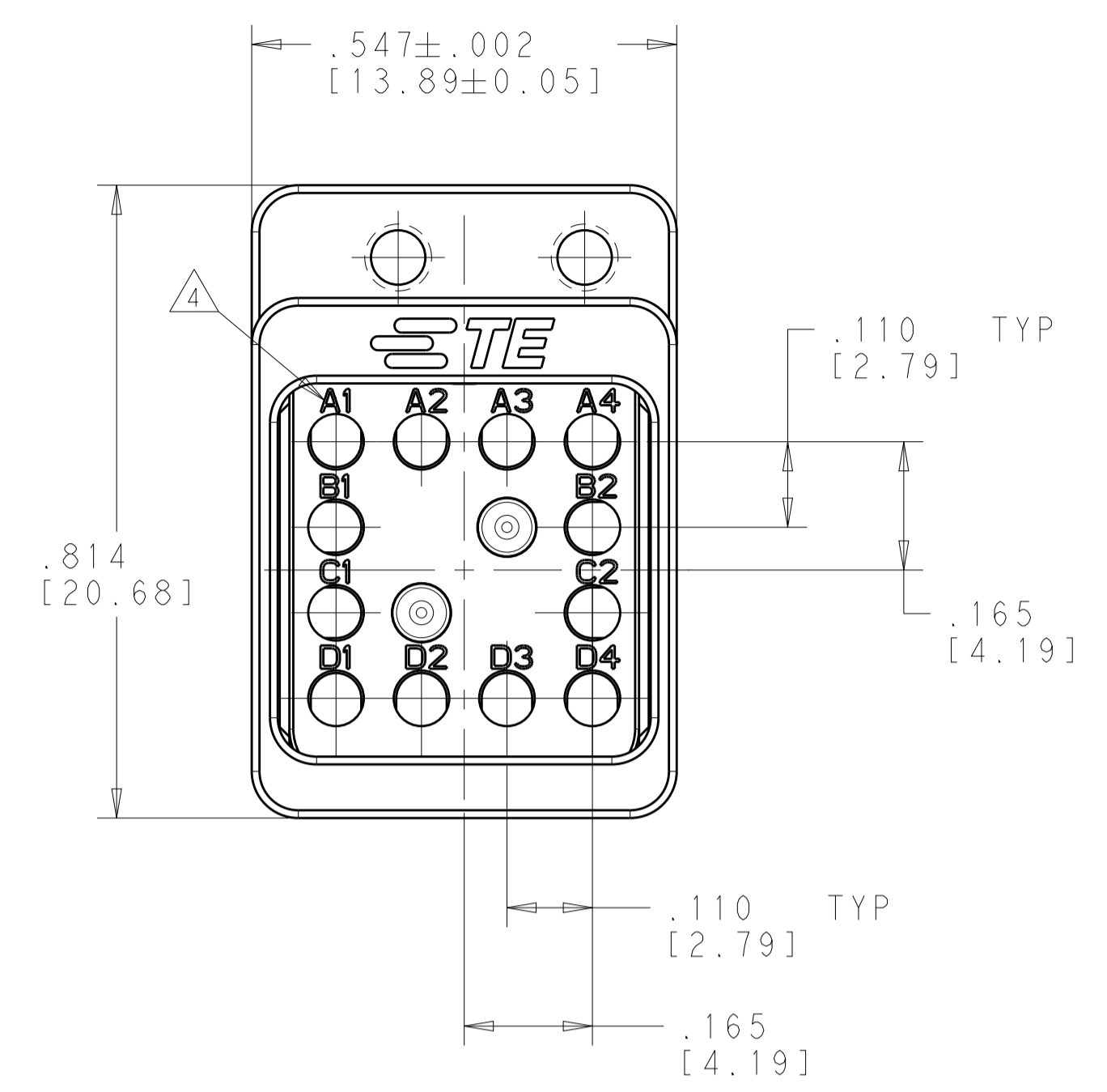
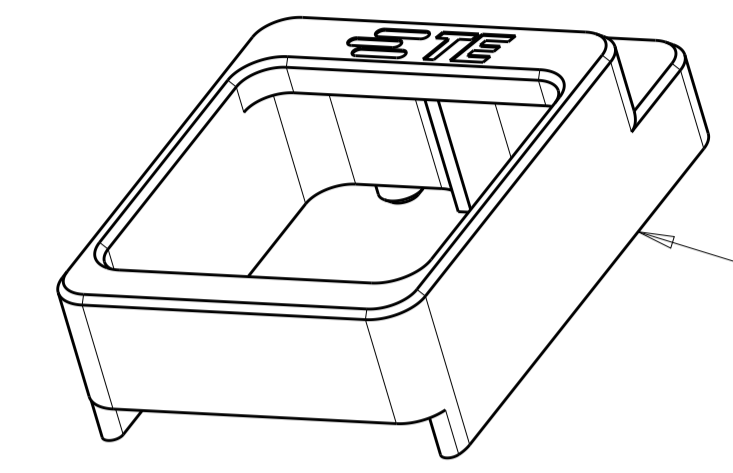


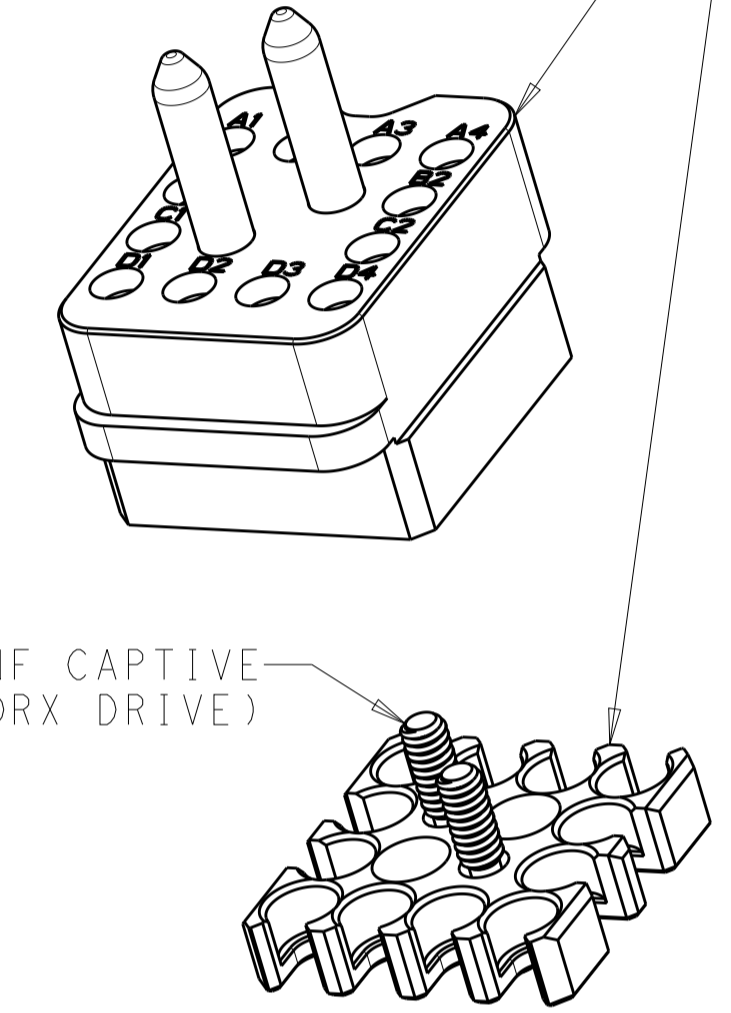
REVISIONS				
P.	LTN	DESCRIPTION	DATE	DWN APVD
A		RELEASED PER ECO 18-016587	10-23-18	CT FB



SCALE 4:1

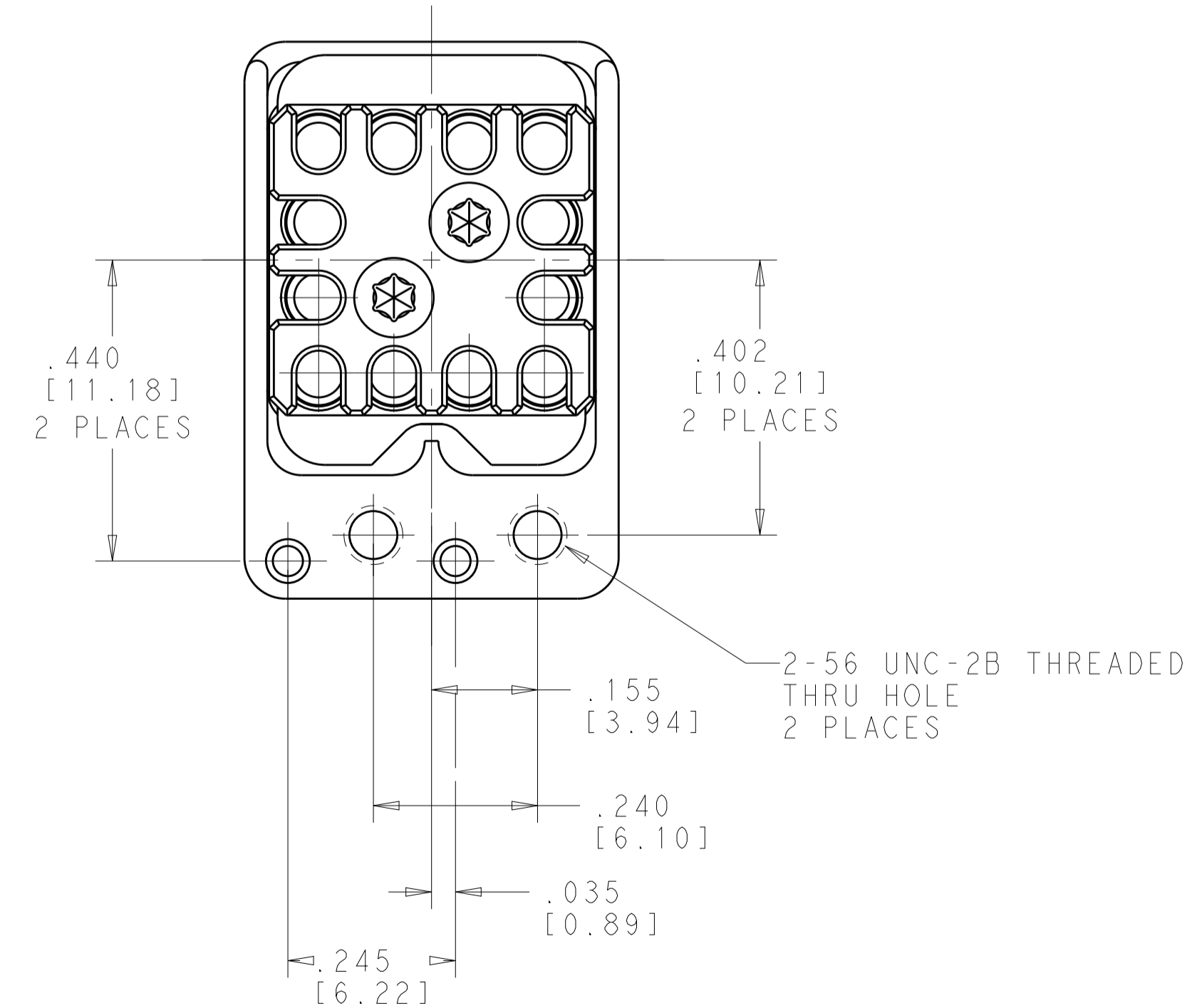
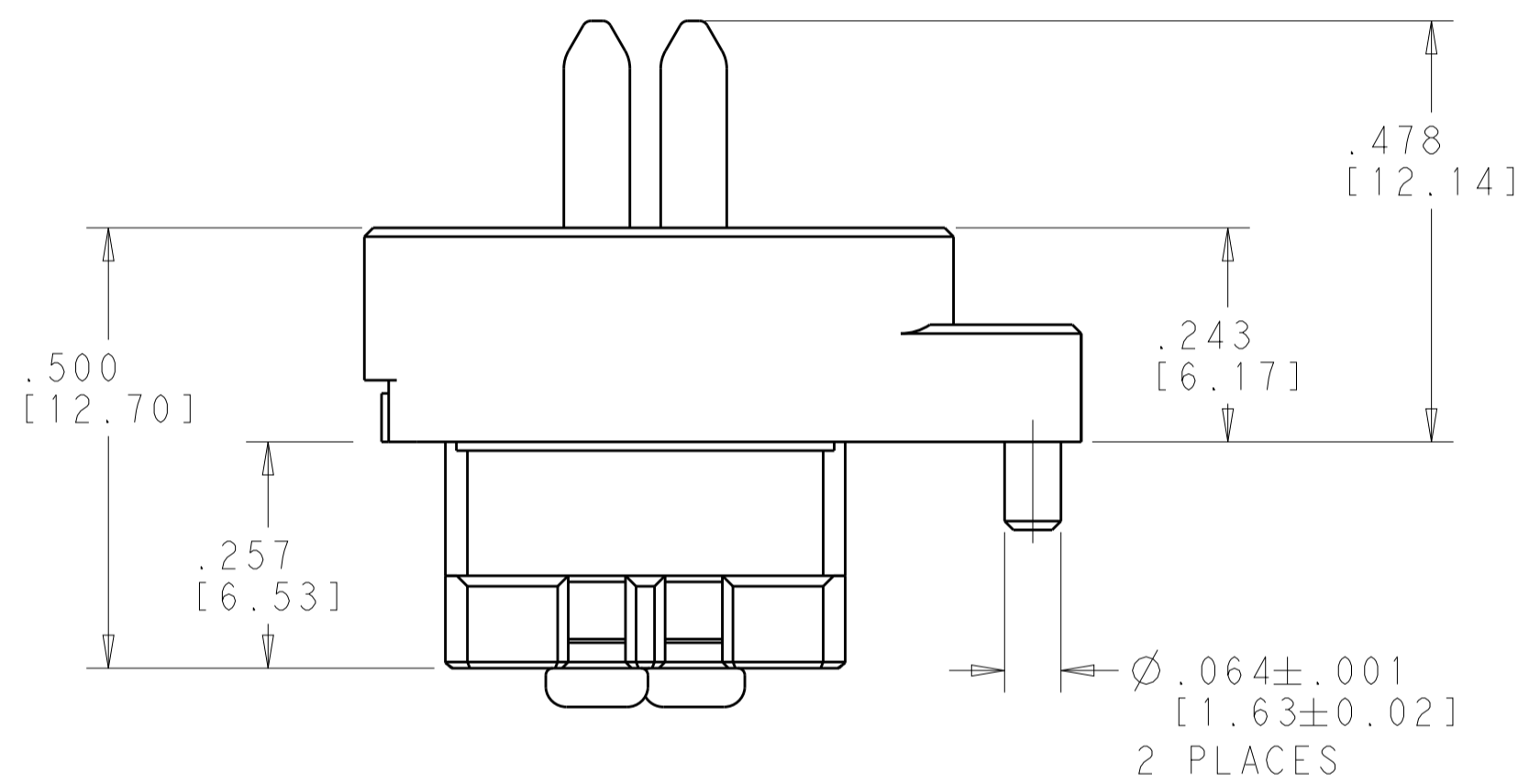
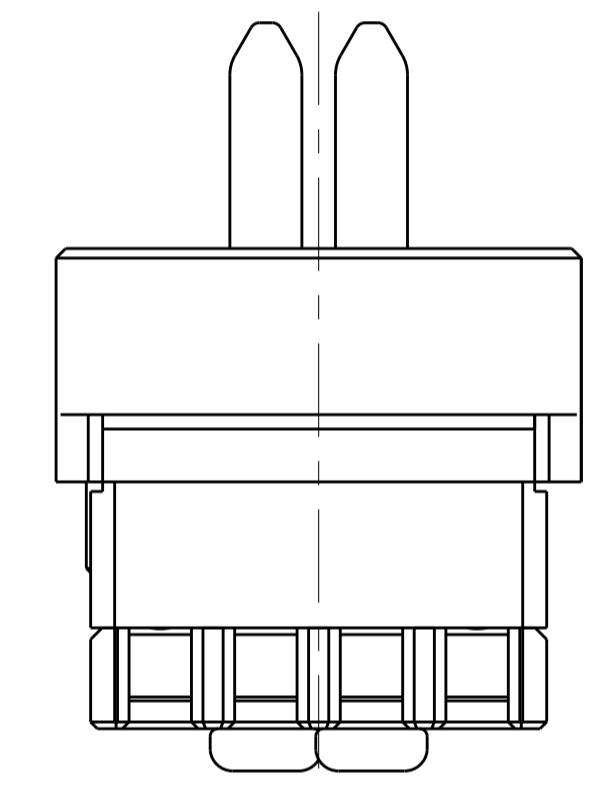


MODULE BODIES



0-80 UNF CAPTIVE SCREW (TORX DRIVE)

SCALE 4:1



- 1 MATERIAL:
MODULE BODIES - SEE TABLE
GUIDE PIN - STAINLESS STEEL, PER UNS S30300
SCREWS - 300 SERIES STAINLESS STEEL
- 2 FINISH:
MODULE BODIES - SEE TABLE
SCREWS AND GUIDE PIN - PASSIVATED
- 3. SHIPPED IN KIT FORM.
- 4 CIRCUIT IDENTIFICATION MARKING

CLEAR CHROMATE CONVERSION COATING	ALUMINUM ALLOY 7075	2313228-2
PASSIVATED	STAINLESS STEEL PER UNS S30300	2313228-1
MODULE FINISH 2	MODULE MATERIAL 1	PART NUMBER

THIS DRAWING IS A CONTROLLED DOCUMENT.		DWN R. MILLER 17JUN2017	TE Connectivity	
DIMENSIONS: INCHES/mm		CHK K. DOWHOWER 19JUN2017	NAME 12 POSITION NanoRF MODULE P.C.B. MOUNT - BACKPLANE VITA	
TOLERANCES UNLESS OTHERWISE SPECIFIED:		APVD K. DOWHOWER 19JUN2017	PRODUCT SPEC	
0 PLC ±		108-163006	APPLICATION SPEC	
1 PLC ±		408-163016	SIZE CAGE CODE DRAWING NO	
2 PLC ±.005(0.13)		RESTRICTED TO	A100779C=2313228	
3 PLC ±		CUSTOMER DRAWING	SCALE 5:1 SHEET 1 OF 2 REV A	
4 PLC ±				
ANGLES				
FINISH				

