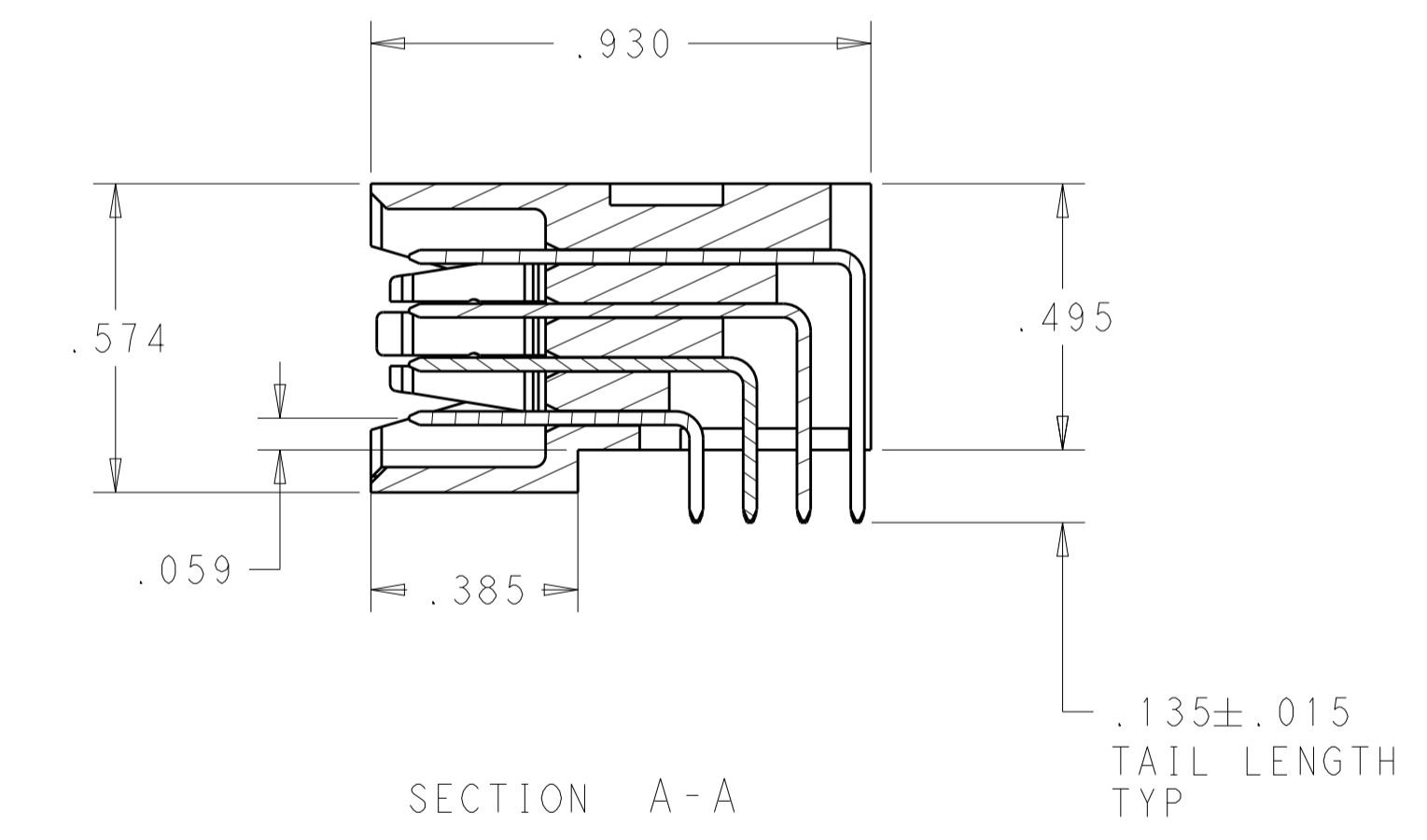
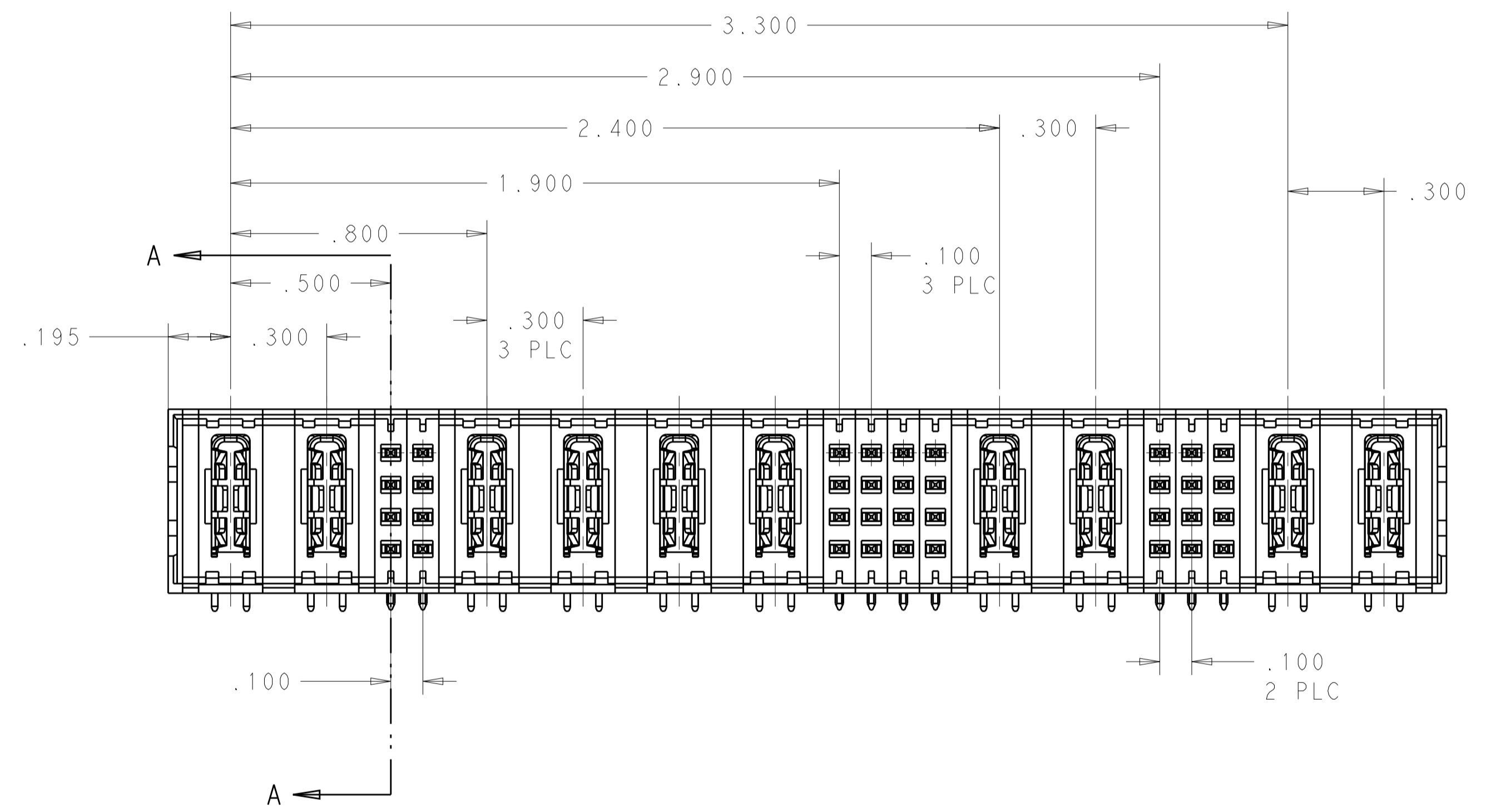
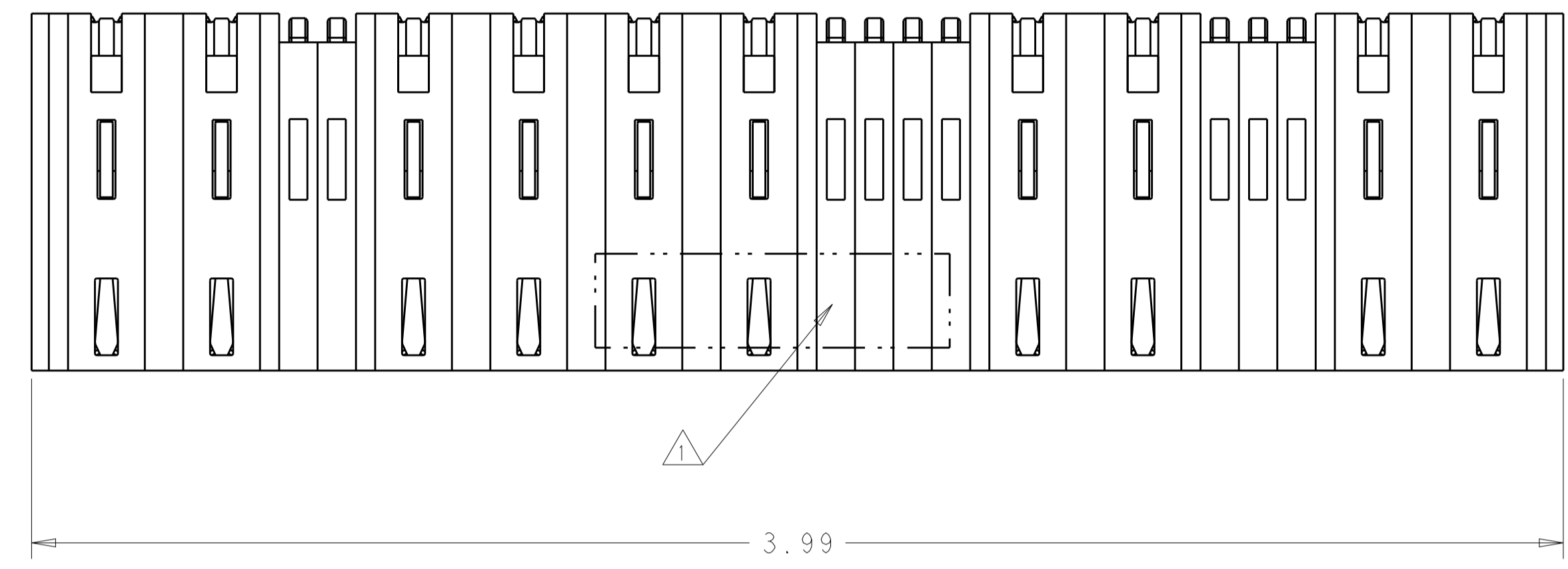


REVISIONS				
P.	LTN	DESCRIPTION	DATE	APVD
A		RELEASED	6-2-17	CT DH

- ① "TE", PART NUMBER, AND DATE CODE TO BE MARKED IN AREA SHOWN. PARTS UNDER 2.00 LONG MAY BE MARKED ON BOTH SIDES.
- ② MATERIAL: HOUSING - GLASS FILLED HIGH TEMP THERMO PLASTIC, BLACK, UL94 V-0
 POWER CONTACT - HIGH CONDUCTIVITY COPPER ALLOY
 SIGNAL CONTACT - HIGH CONDUCTIVITY COPPER ALLOY
- ③ CONTACT PLATING: SIGNAL CONTACTS - .000050 MIN Ni UNDER ALL
 .000050 MIN Au ON CONTACT AREA
 .000005 MIN Au AT PCB INTERFACE
 POWER CONTACTS - .000050 MIN Ni UNDER ALL
 .000050 MIN Au ON CONTACT AREA
 .000005 MIN Au AT PCB INTERFACE
- ④ MECHANICAL CONNECTOR KEEP OUT ZONE.
- ⑤ DATUM AND BASIC DIMENSIONS ESTABLISHED BY CUSTOMER.
- ⑥ PCB - HOLE DIAMETERS ARE FINISHED HOLE SIZE.
- ⑦ PCB - .0453±.0010 DRILLED HOLES PLATED WITH .0003 MIN Sn OVER .001 TO .003 Cu PLATING TO ACHIEVE A .040 DIA HOLE.



2ACP+8S+4ACP+16S+2ACP+12S+2ACP	2314580-1
DESCRIPTION	PART NUMBER

THIS DRAWING IS A CONTROLLED DOCUMENT.		DWN C.C. THOMAS 1-10-17	
DIMENSIONS: INCHES		CHK D. HOANG 1-10-17	
TOLERANCES UNLESS OTHERWISE SPECIFIED:		APVD D. HOANG 1-10-17	NAME RIGHT ANGLE HEADER ASSEMBLY WITH GUIDELESS MULTI-BEAM XLE
0 PLC ±. 1 PLC ±.01 2 PLC ±.01 3 PLC ±.005 4 PLC ±.0020 ANGLES #2		PRODUCT SPEC 108-2292 APPLICATION SPEC 114-13251	
MATERIAL	FINISH	WEIGHT	RESTRICTED TO
-	-	-	A 100779 ©=2314580
CUSTOMER DRAWING		SCALE 1:4	SHEET 1 OF 2 REV A

