

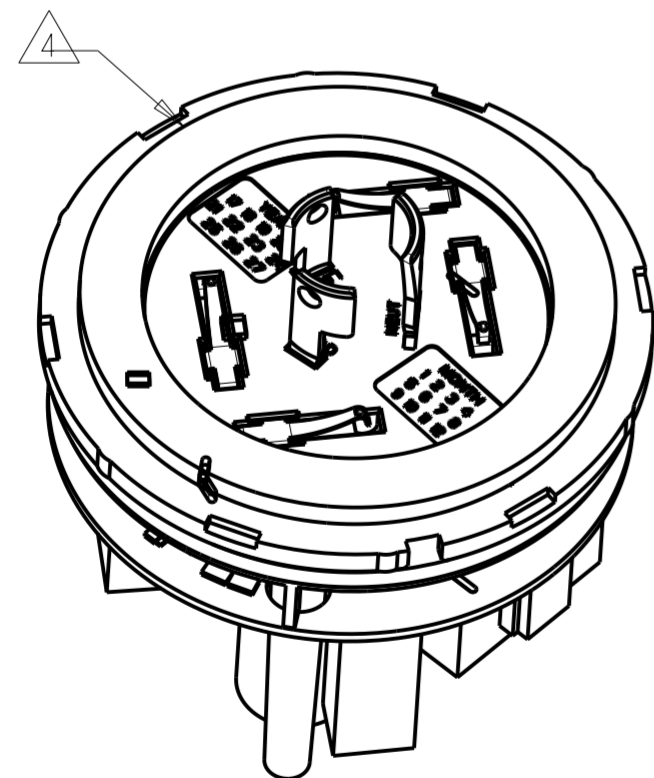
| P | LTR | DESCRIPTION | DATE | DWN | APVD |
|---|-----|---------------|-----------|-----|------|
| | A1 | ECR-21-004389 | 09APR2021 | CD | CD |

| ABSOLUTE MAXIMUM RATINGS | SYMBOL | MIN | MAX | UNIT |
|--------------------------------|--------------|-----|-----|------|
| STORAGE TEMPERATURE | T_{stg} | -40 | 105 | °C |
| LINE TO NEUTRAL VOLTAGE | V_{in} | 90 | 300 | VAC |
| MAXIMUM AC CURRENT (RESISTIVE) | A_{switch} | -- | 8 | AMPS |

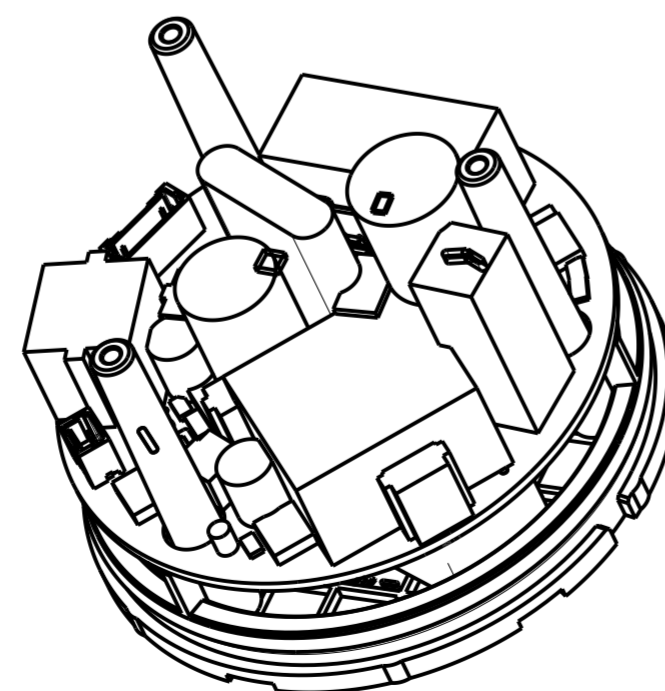
| ELECTRICAL CHARACTERISTICS | |
|------------------------------|---|
| INPUT VOLTAGE RANGE | 110/120, 230/240 AND 277 VAC NOMINAL SOURCES |
| INPUT FREQUENCY | 47-63 Hz FOR 50/60 Hz NOMINAL SOURCES |
| MAXIMUM AC CURRENT | 8 AMPS (RESISTIVE), 5 AMPS (ELECTRONIC BALLAST)@120V, 3AMPS @277V |
| DC POWER SUPPLIES | |
| DIMMING | 24 VDC AT 50 mA MAXIMUM |
| COMMUNICATIONS | 5 VDC AT 1000 mA MAXIMUM |
| AUXILIARY | 3.3VDC AT 500 mA MAXIMUM |
| SURGE PROTECTION | ANSI C62.41 6 kV, 3 kA COMBINATION WAVE SURGE PROTECTION |
| POWER CONSUMPTION (MIN LOAD) | < 1W @ 120 VAC, < 2W @ 277 VAC |
| FAIL MODE | ON (NORMALLY CLOSED) OR OFF (NORMALLY OPEN) |

| ENVIRONMENTAL CHARACTERISTICS | |
|-------------------------------|---|
| OPERATING TEMPERATURE | -40°C TO +85°C (SEE 114-133085 FOR DETAILS) |
| RELATIVE HUMIDITY | OPERATING: 15% TO 96%, NON-CONDENSING ENVIRONMENT. |
| ALTITUDE | OPERATING: -15m TO +2,000m NON-OPERATING: -15m TO +14,000m |

- 1 MATERIALS:
HOUSING: PBT
DIMMING CONTACTS (QTY. 4): COPPER ALLOY
LINE VOLTAGE CONTACTS (QTY. 3): COPPER ALLOY
GASKET: VINYL/NITRILE FOAM
O-RING: SILICONE RUBBER
PCBA: FR4
- 2 FINISH:
DIMMING CONTACTS: NICKEL UNDERPLATE ENTIRE
CONTACT 0.127 μ m MIN THICK. SELECTIVE GOLD PLATE CONTACT MATING AREA (MATING FACE SIDE ONLY) 0.76 μ m MIN THICK.
MATTE TIN PLATE TAB ON BOTH SIDES 0.30 μ m MIN THICK.
LINE VOLTAGE CONTACTS: MATTE TIN PLATE
- 3 MATING INTERFACE PER ANSI C136.41-2013.
- 4 ADHESIVE BACKED GASKET SUPPLIED BUT NOT INSTALLED.
- 5 ADDITIONAL COVERS (P/N: 2306130-X) AVAILABLE CONTACT TE CONNECTIVITY FOR MORE OPTIONS.
- 6. THIS PRODUCT HAS NOT COMPLETED VALIDATION TESTING.
- 7. MUST COMPLY WITH DIRECTIVE 2002/95/EC (ROHS)
- 8. IN ADDITION TO THE STANDARD PRODUCT PART NUMBERS, OTHER CONFIGURATIONS MAY BE AVAILABLE FOR SPECIAL ORDER. PLEASE CONTACT A TE CONNECTIVITY SALES OFFICE FOR MORE INFO.
- 9 NOT PRODUCTION TOOLED



SCALE 1:1

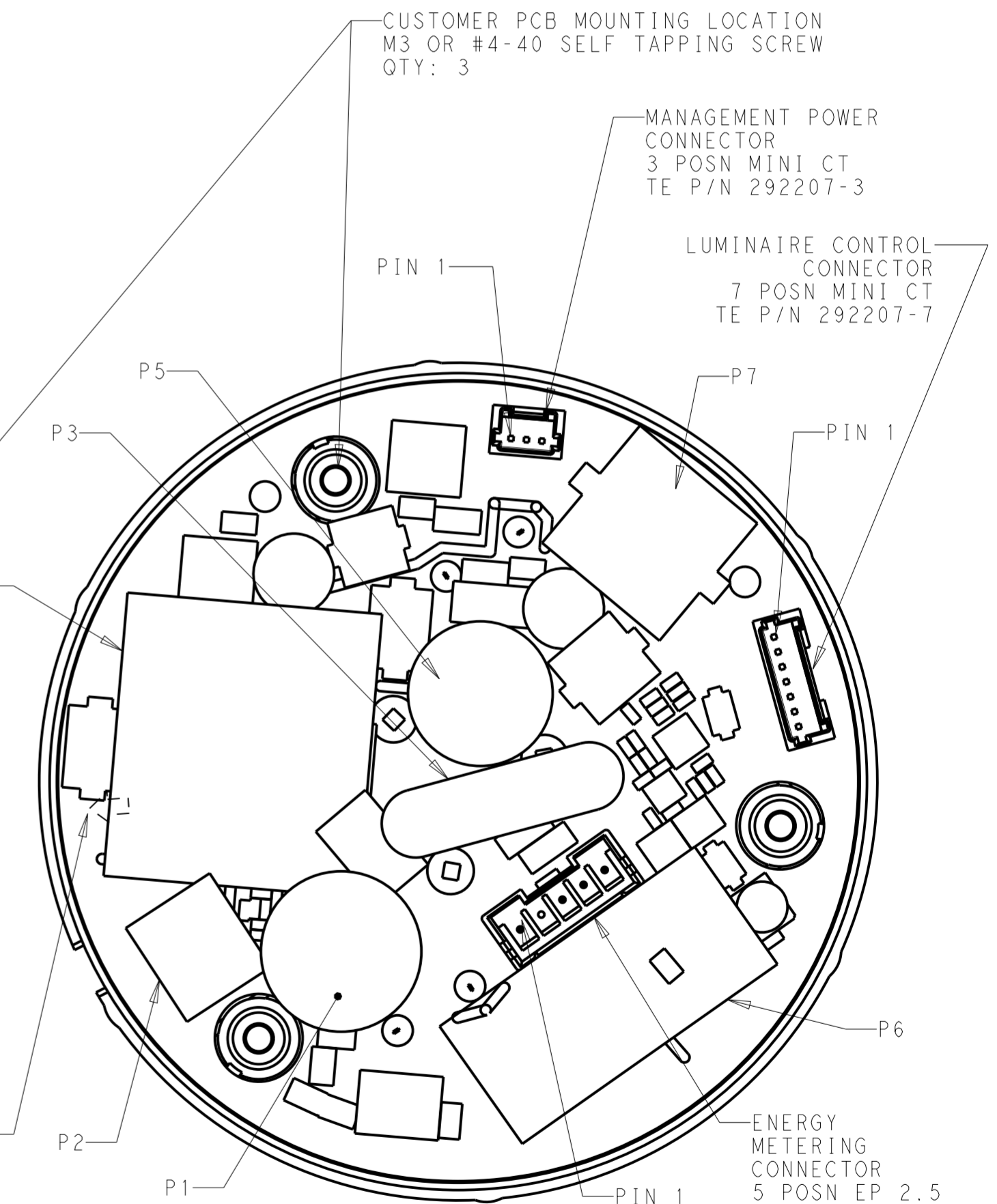
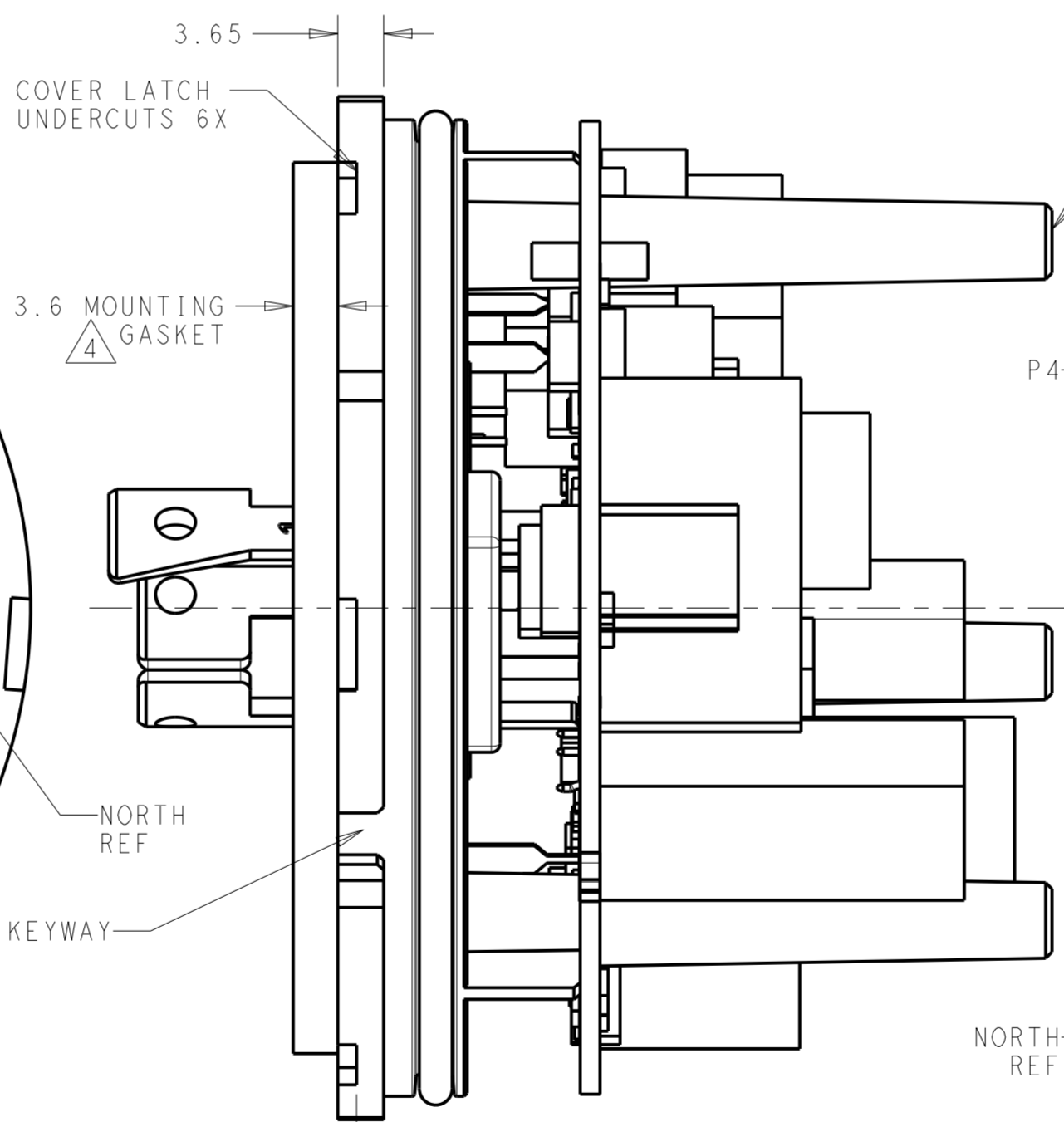
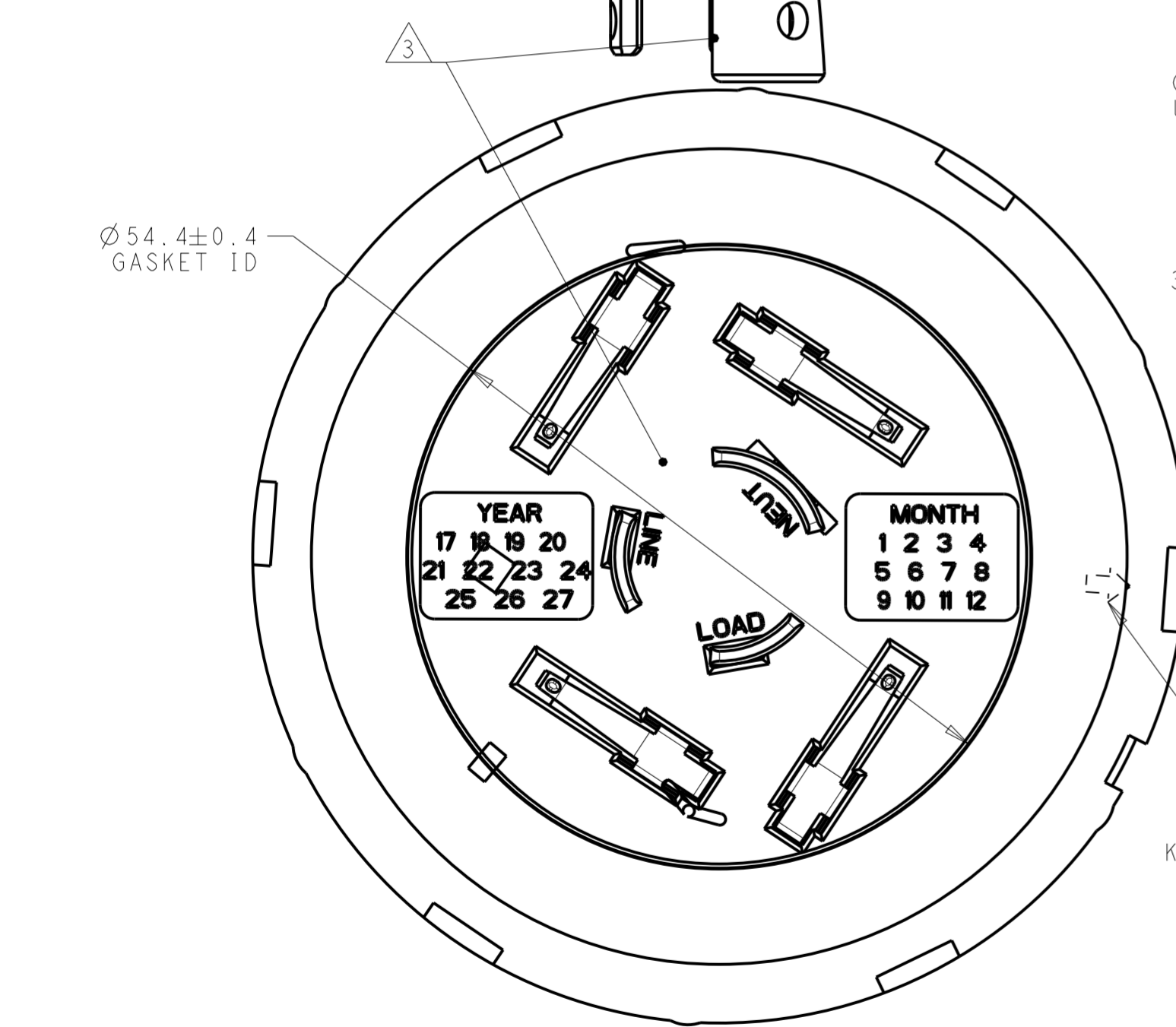
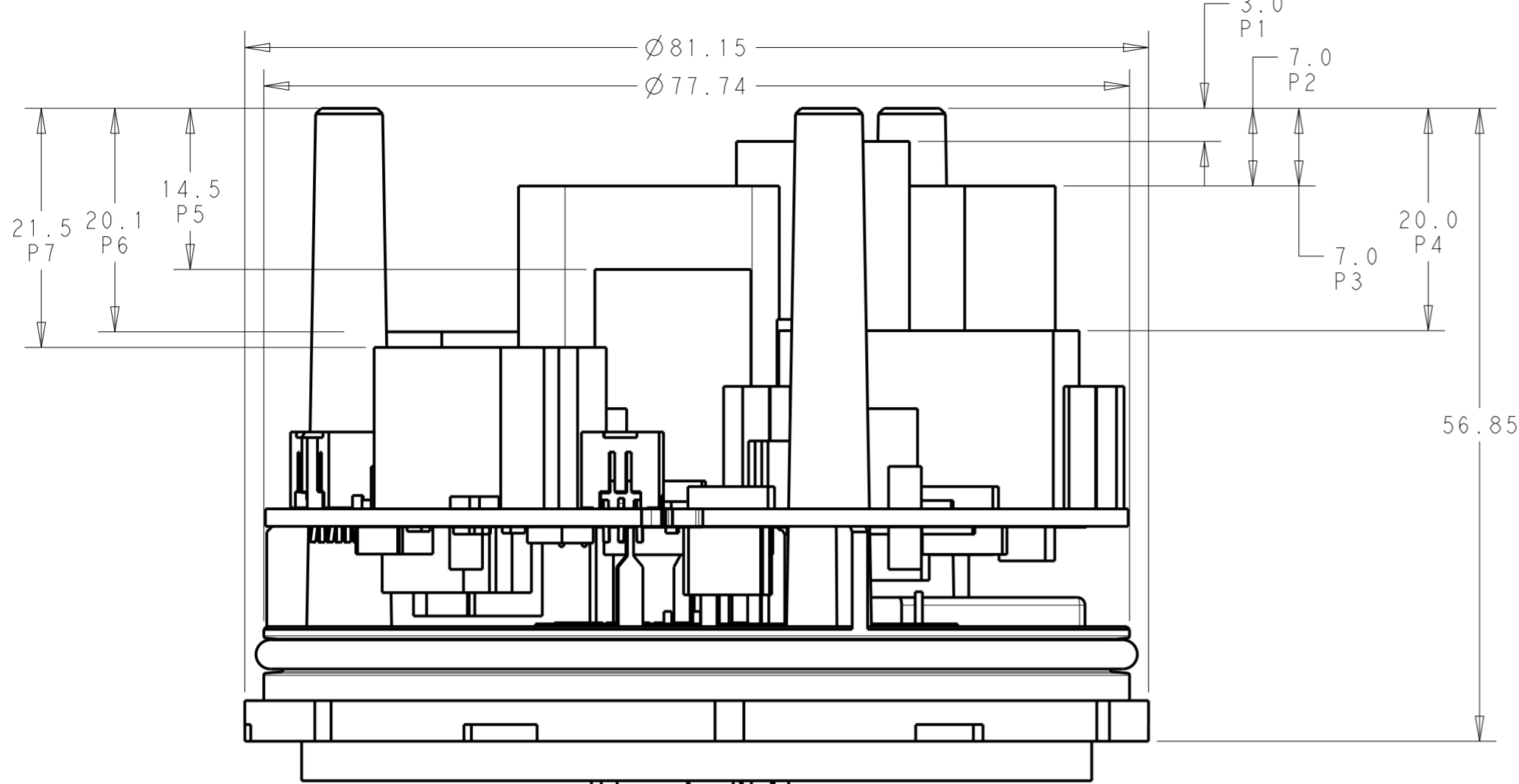


SCALE 1:1

| | | | | | | |
|---|------|-------|------------------------|------------|-----------|-------------|
| 9 | YES | 50Hz | YES | YES | OFF | 4-2314786-2 |
| 9 | YES | 50Hz | YES | YES | ON | 4-2314786-1 |
| 9 | YES | 60Hz | YES | YES | OFF | 3-2314786-2 |
| 9 | YES | 60Hz | YES | YES | ON | 3-2314786-1 |
| | NO | 50Hz | YES | YES | OFF | 1-2314786-2 |
| | NO | 50Hz | YES | YES | ON | 1-2314786-1 |
| | NO | 60Hz | YES | YES | OFF | 2314786-2 |
| | NO | 60Hz | YES | YES | ON | 2314786-1 |
| | VENT | FREQ. | ENERGY METERING HEADER | ZERO CROSS | FAIL MODE | PART NO. |

| | | | | |
|--|---|---------------------------------|--|--------------------|
| THIS DRAWING IS A CONTROLLED DOCUMENT. | | DWN C. DAILY 30DEC2016 | TE Connectivity | |
| | | CHK C. GINGRICH 30DEC2016 | | |
| DIMENSIONS: | TOLERANCES UNLESS OTHERWISE SPECIFIED: | APVD | NAME ASSEMBLY, LUMAWISE ENDURANCE N ENHANCED BASE | |
| mm | 0 PLC ± 1 PLC ±0.35 2 PLC ±0.25 3 PLC ± 4 PLC ± | PRODUCT SPEC 108-133085 | RESTRICTED TO | |
| | ANGLES ±3° | APPLICATION SPEC 114-133085 | SIZE A2 | CAGE CODE 00779 |
| MATERIAL | FINISH | WEIGHT | DRAWING NO C-2314786 | SCALE 2:1 |
| - | - | - | SHEET 1 OF 4 REV A1 | |
| CUSTOMER DRAWING | | | | |

| P | LTR | DESCRIPTION | DATE | DWN | APVD |
|---|-----|-------------|------|-----|------|
| - | - | SEE SHEET 1 | - | - | - |



| | | | | |
|--|--|---------------------------------|-----------------|--|
| THIS DRAWING IS A CONTROLLED DOCUMENT. | | DWN C. DAILY 30DEC2016 | TE Connectivity | |
| | | CHK C. GINGRICH 30DEC2016 | | |
| DIMENSIONS: | | PRODUCT SPEC | | NAME |
| mm | | 108-133085 | | ASSEMBLY, LUMAWISE ENDURANCE N ENHANCED BASE |
| TOLERANCES UNLESS OTHERWISE SPECIFIED: | | APPLICATION SPEC | | SIZE |
| 0 PLC ± | | 114-133085 | | A200779 |
| 1 PLC ±0.35 | | WEIGHT | | CAGE CODE |
| 2 PLC ±0.25 | | CUSTOMER DRAWING | | G-2314786 |
| 3 PLC ± | | SCALE | | DRAWING NO |
| 4 PLC ± | | 2:1 | | RESTRICTED TO |
| ANGLES ±3° | | SHEET | | 2 OF 4 |
| FINISH | | REV | | A1 |

| P | LTR | DESCRIPTION | DATE | DWN | APVD |
|---|-----|-------------|------|-----|------|
| - | | SEE SHEET 1 | - | - | - |
| | | | | | |
| | | | | | |

2.5 MAX
AT LOCATION P1

21.3 MAX
TO FIT UNDER TE COVER
PN: 2306130-X

TALLEST COMPONENT
P5 THIS QUADRANT

Ø 3.40
3X

22.2°
REF

TALLEST
COMPONENT
P5 THIS
QUADRANT

120°
3X

Ø 70.00
MAX

OPTIONAL FLAT TO
INDICATE NORTH

4.2°
REF

TALLEST COMPONENT
P1 THIS QUADRANT

TALLEST COMPONENT
P3 THIS QUADRANT

Ø 63.00


TOP SIDE

Ø 6.0
KEEP OUT
TOWER MOUNTING
3 PLACES

67
REF

RECOMMENDED CUSTOMER PCB
SCALE 3:1

1.60

| | | | | |
|--|--|---------------------------------|---|---|
| THIS DRAWING IS A CONTROLLED DOCUMENT. | | DWN C. DAILY 30DEC2016 |  TE Connectivity | |
| | | CHK C. GINGRICH 30DEC2016 | | |
| DIMENSIONS: mm | | APVD | | NAME ASSEMBLY, LUMAWISE ENDURANCE N ENHANCED BASE |
| TOLERANCES UNLESS OTHERWISE SPECIFIED: | | PRODUCT SPEC | | SIZE 108-133085 |
| 0 PLC ± | | APPLICATION SPEC | | RESTRICTED TO |
| 1 PLC ±0.35 | | 114-133085 | | SCALE 2:1 SHEET 3 OF 4 REV A1 |
| 2 PLC ±0.25 | | WEIGHT | | |
| 3 PLC ± | | CUSTOMER DRAWING | | |
| 4 PLC ± | | | | |
| ANGLES ±3° | | | | |
| FINISH | | | | |
| MATERIAL | | | | |
| | | | | |
| | | | | |