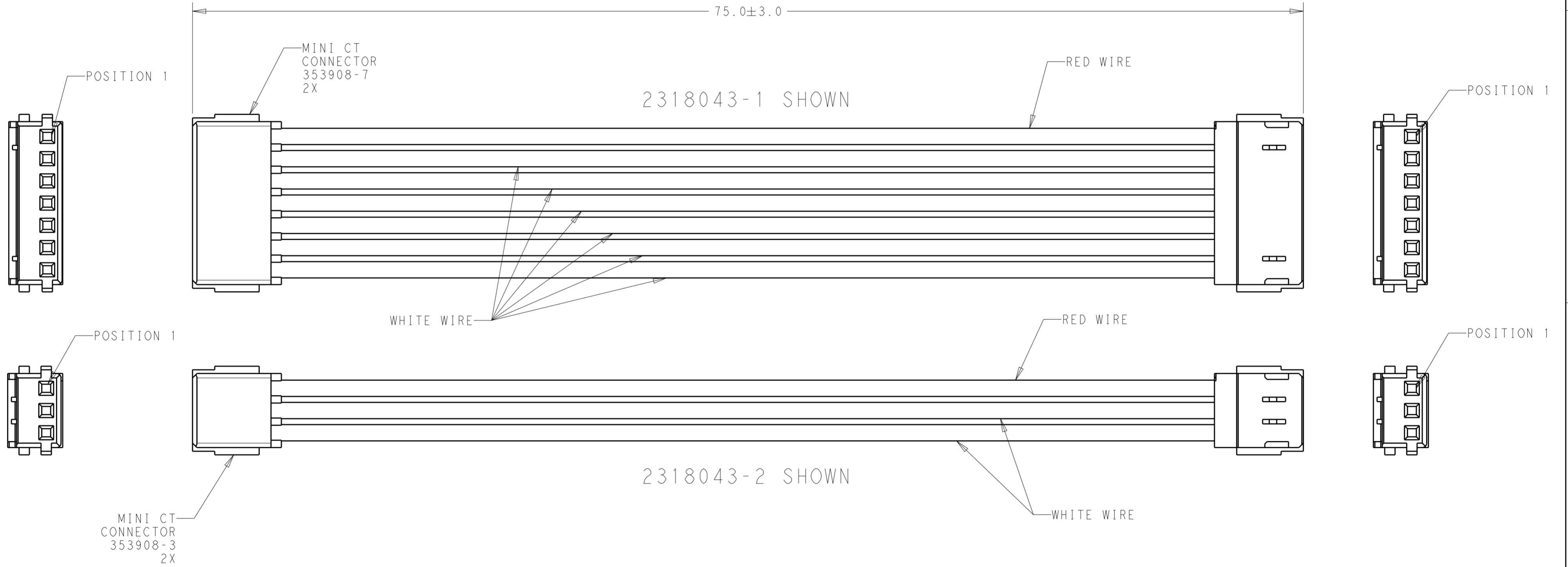


THIS DRAWING IS UNPUBLISHED. RELEASED FOR PUBLICATION 20  
 © COPYRIGHT 20 BY - ALL RIGHTS RESERVED.

REVISIONS				
P	LTR	DESCRIPTION	DATE	APVD
A		RELEASED FOR PRODUCTION	23OCT2017	RK PO
A1		REVISED PER ECR-19-013621	04SEP2019	SR DD
A2		REVISED PER ECR-19-014628	20SEP2019	SB DD

1 MATERIALS AND FINISH:  
 -HOUSING: NYLON, COLOR: WHITE  
 -CONTACTS: COPPER ALLOY, FINISH: PRE-TINNED  
 -WIRE: 26 AWG, UL 1061 STYLE

- 2. MUST COMPLY WITH DIRECTIVE 2002/95/EC (ROHS)
- 3. THIS PRODUCT HAS NOT COMPLETED VALIDATION TESTING



MPC, 3 POSITION	2318043-2
LCC, 7 POSITION	2318043-1
DESC	PART NO.

THIS DRAWING IS A CONTROLLED DOCUMENT.		DWN C. DAILY 10APR2017	TE Connectivity	
		CHK C. GINGRICH 10APR2017		
DIMENSIONS: mm 		TOLERANCES UNLESS OTHERWISE SPECIFIED: 0 PLC ± 1 PLC ±0.2 2 PLC ±0.13 3 PLC ± 4 PLC ± ANGLES ± FINISH ±2		NAME CABLE ASSEMBLY, MINI-CT, LUMAWISE ENDURANCE N EB
MATERIAL		PRODUCT SPEC 108-133085 APPLICATION SPEC 114-133085		SIZE A2
		WEIGHT -		CAGE CODE -
		CUSTOMER DRAWING		DRAWING NO C-2318043
		SCALE 5:1		RESTRICTED TO -
		SHEET 1 OF 1		REV A2