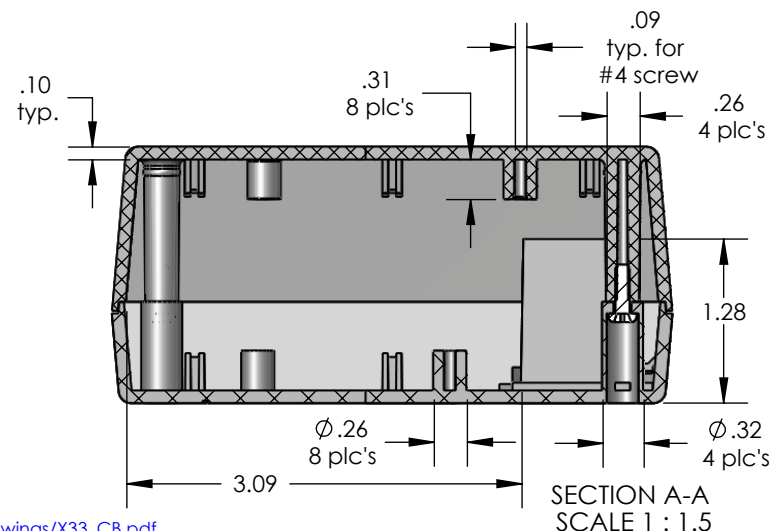
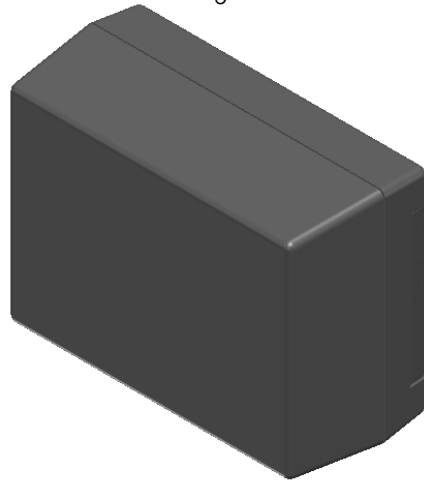
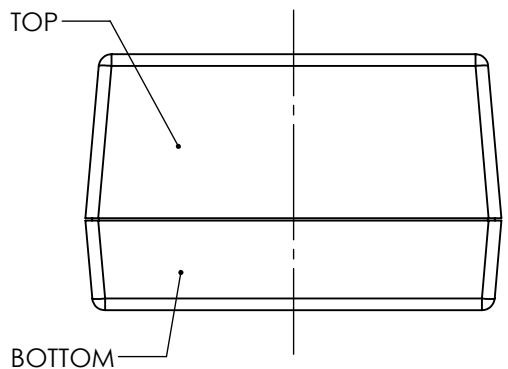
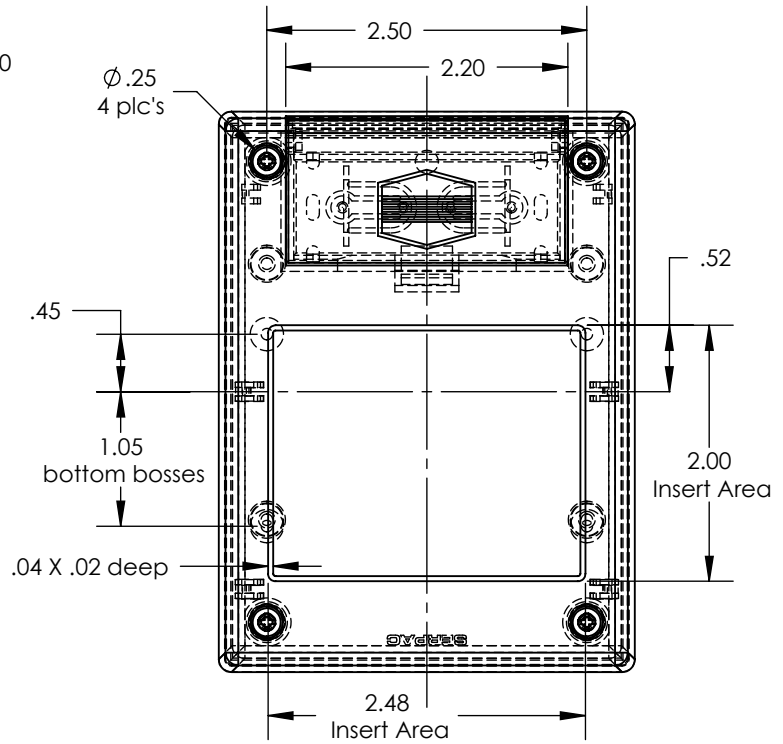
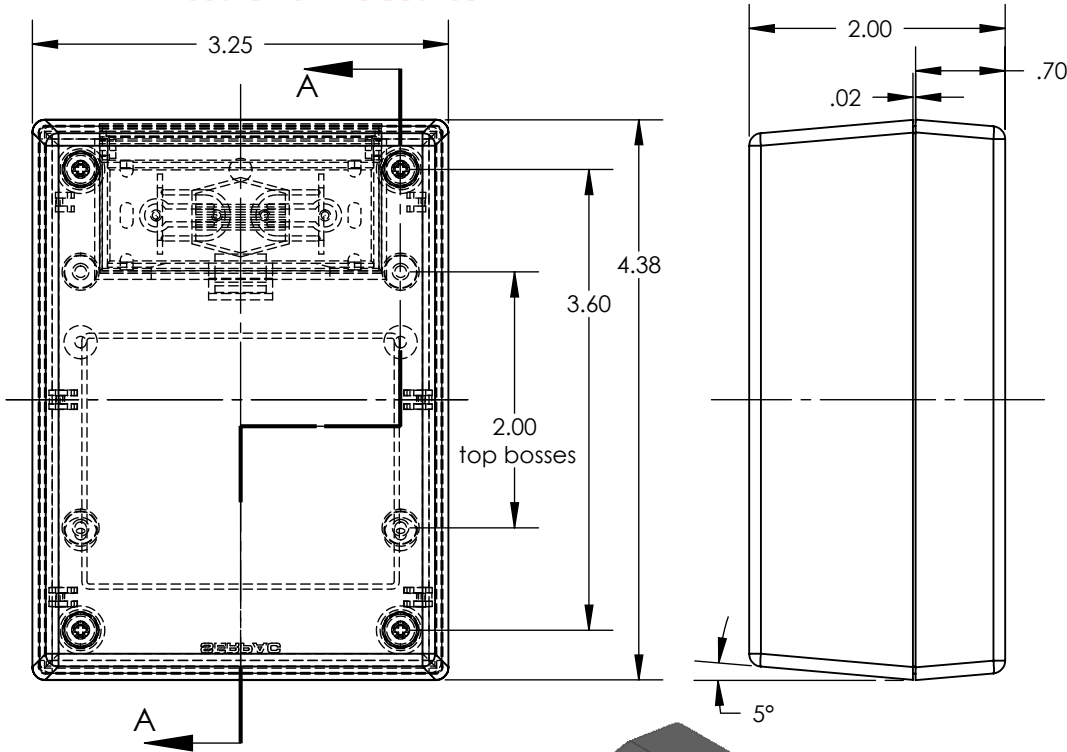


# SERPAC 232 (user print)

Electronic Enclosures



PART NO.	DESCRIPTION (Included)	ACCESSORIES (Optional)	
		PART NO.	DESCRIPTION
3-2	TOP		
23	BOTTOM	339	Prototype grid board (bottom)
1025	Battery Cover	439	Prototype clad board (bottom)
6005	#4X3/8" self tapping (4)	50	Non-skid feet

Notes: (Enclosure weight 0.24 lb / 108 gm)  
 1) Enclosure meets or exceeds IP40 and NEMA 1  
 2) Circuit Board drawings can be download at:  
 Top: [http://www.serpac.com/Accessories/CircuitBoard/drawings/X33\\_CB.pdf](http://www.serpac.com/Accessories/CircuitBoard/drawings/X33_CB.pdf)  
 Bottom: <http://www.serpac.com/Accessories/CircuitBoard/drawings/339-439-cbg.pdf>  
 3) All components are RoHS Compliant.

ALL DIMENSIONS ARE ± .010" 4/23/12 (2 of 2)  
 2009 Wright Ave., La Verne, CA 91750  
 Ph. (626) 331-0517 Fx. (626) 331-8584 www.serpac.com