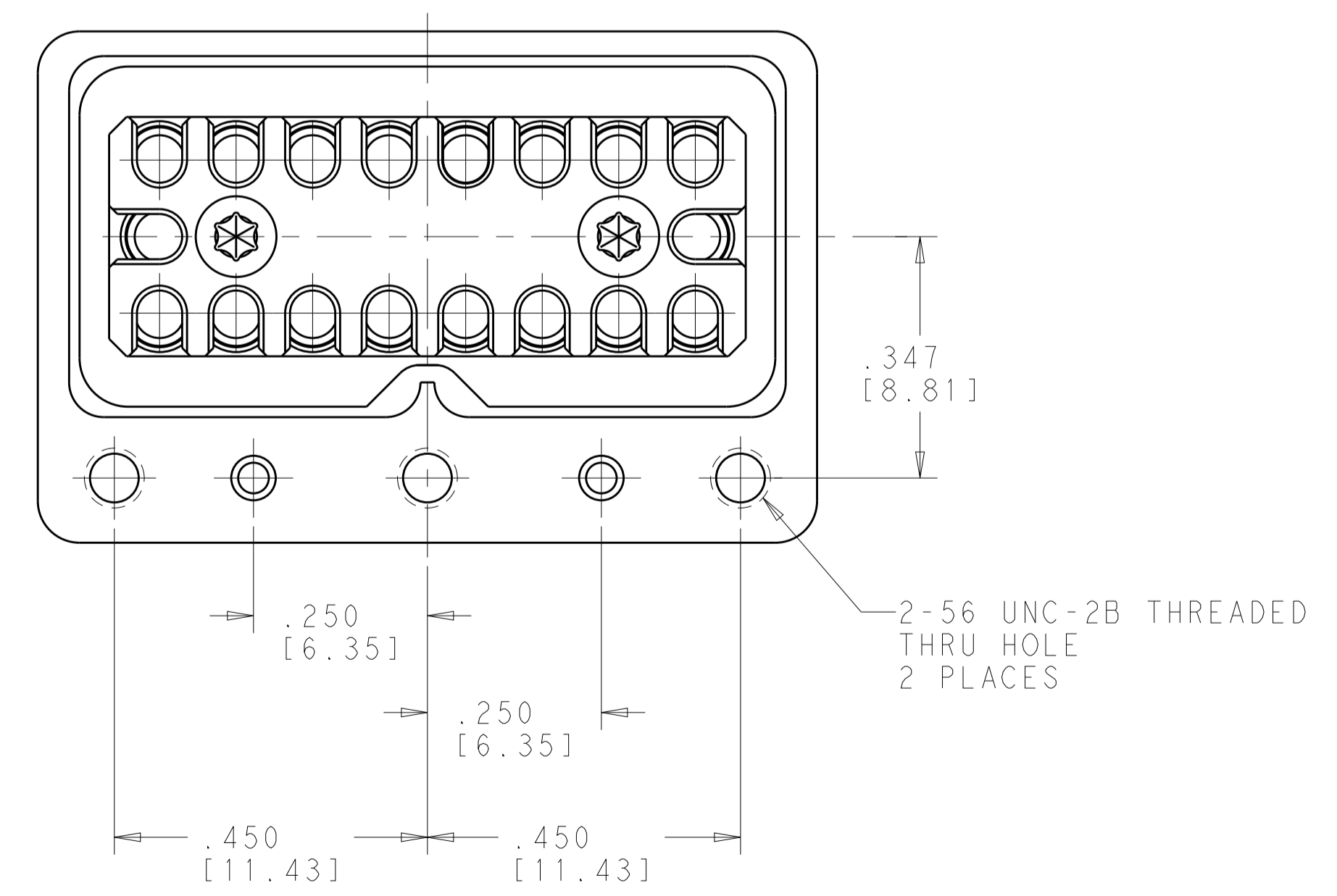
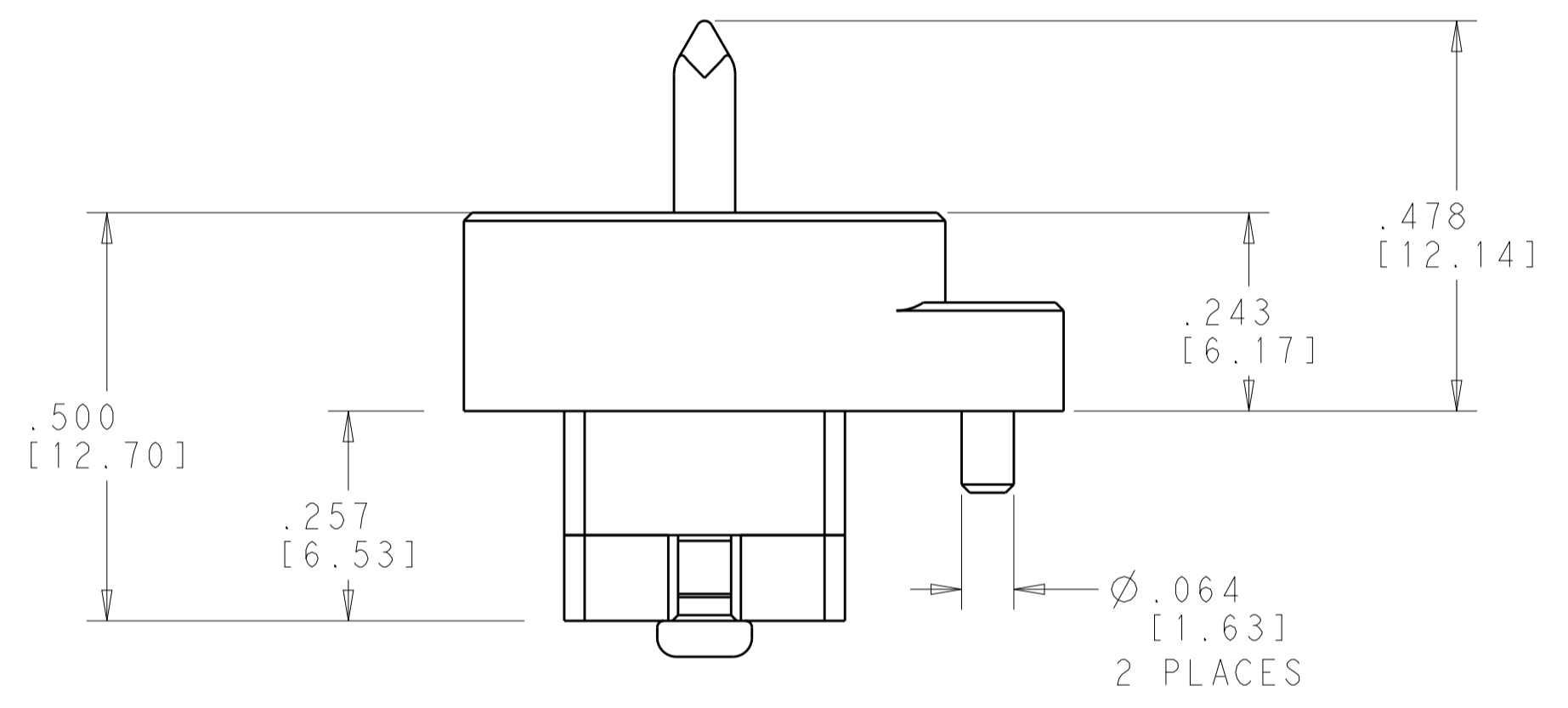
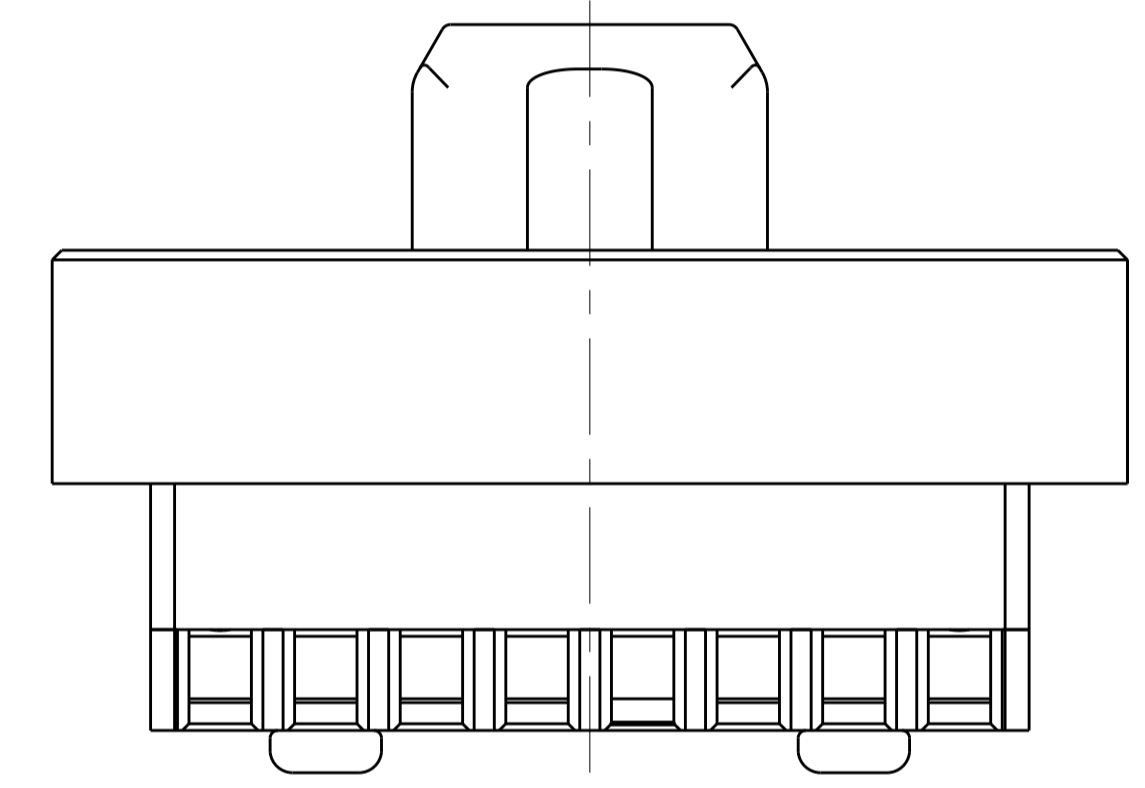
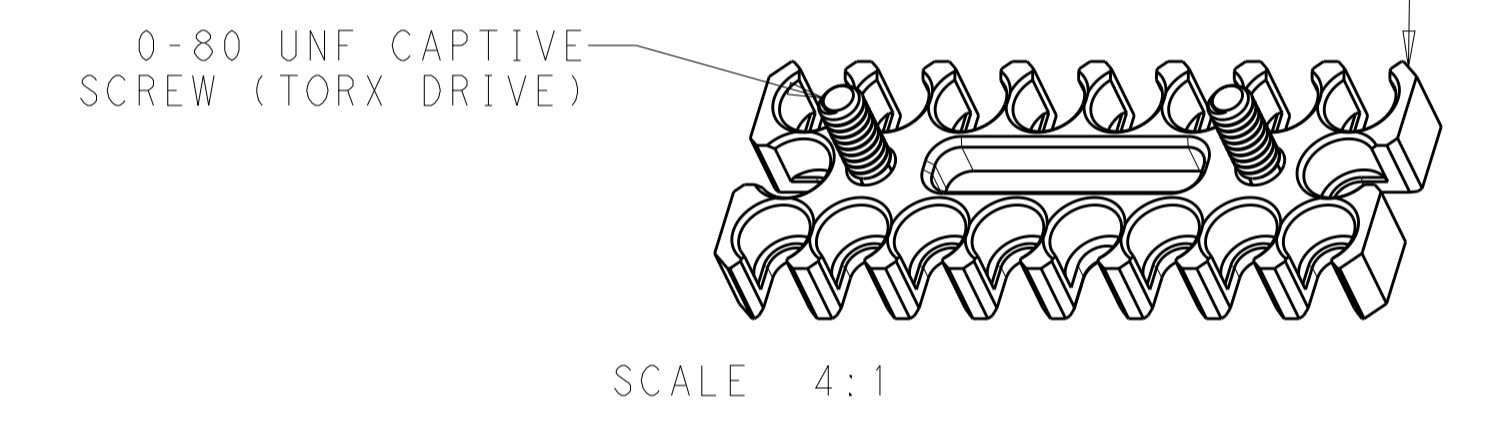
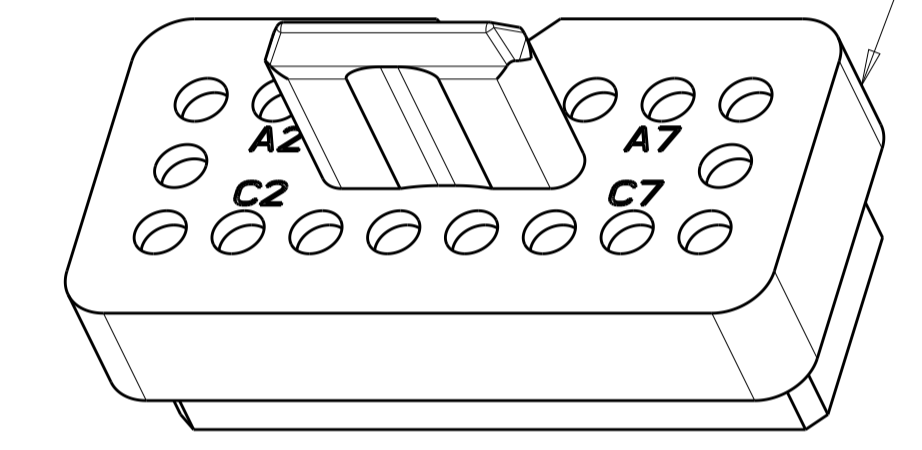
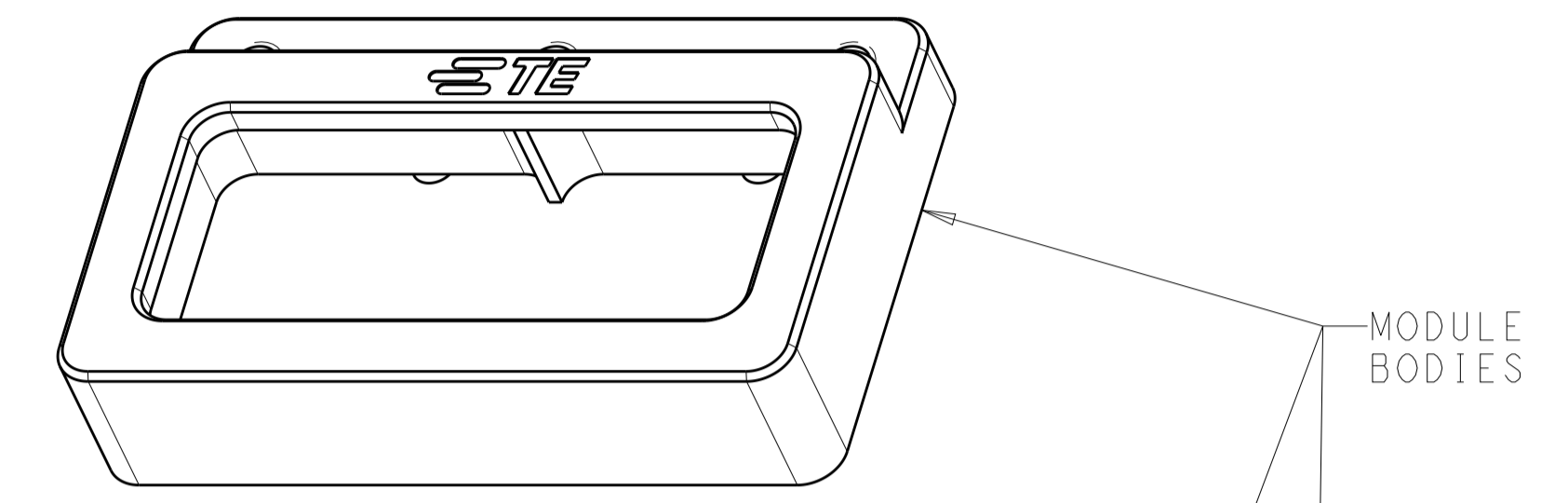
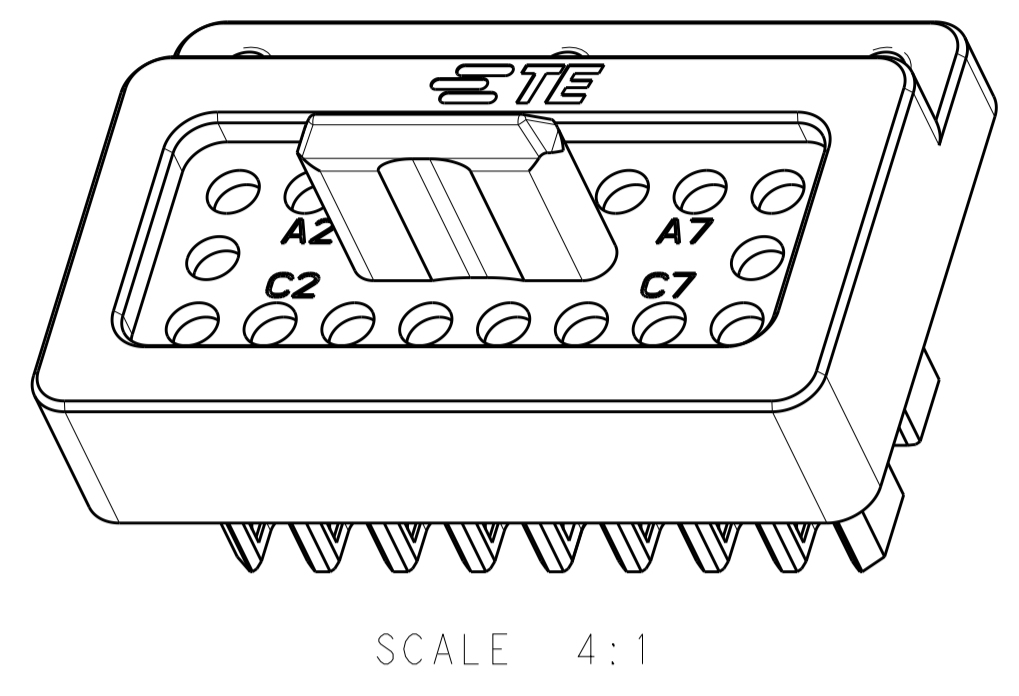
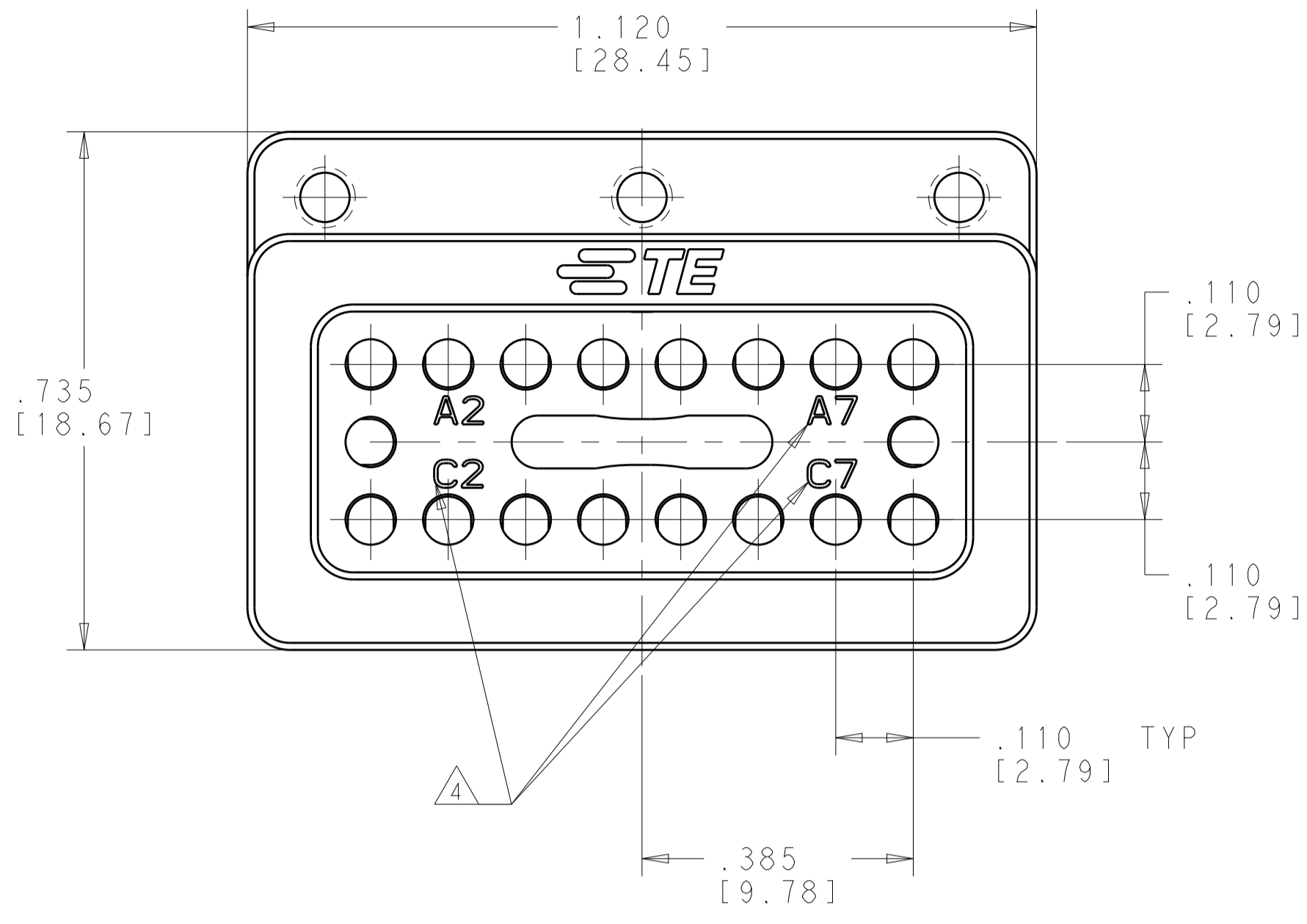


REVISIONS				
P.	LTN	DESCRIPTION	DATE	APVD
B		RELEASED PER ECO 19-005475	4-9-19	CT FB

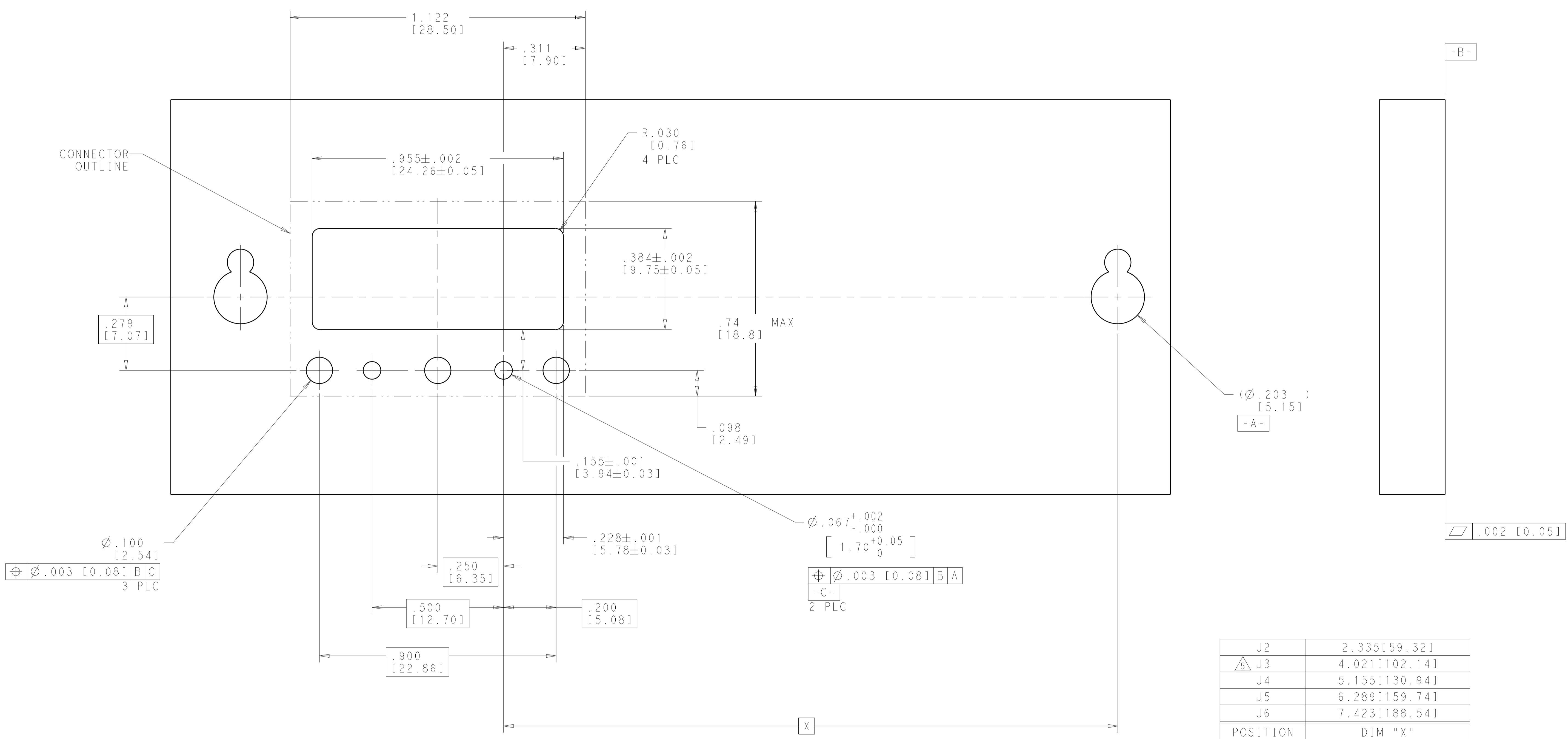


- 1 MATERIAL:
MODULE BODIES - SEE TABLE
SCREWS - 300 SERIES STAINLESS STEEL
- 2 FINISH:
MODULE BODIES - SEE TABLE
SCREWS AND GUIDE PIN - PASSIVATED
- 3. SHIPPED IN KIT FORM.
- 4 CIRCUIT IDENTIFICATION MARKING
- 5 J3 MODULE LOCATION CAN BE MOVED -.129[3.28] TO POSITION J3 = 3.892[98.86] TO ALLOW FOR USE OF A FULL MULTIGIG CONNECTOR IN J4. THE DAUGHTERCARD MODULE POSITION MUST ALSO BE ADJUSTED ACCORDINGLY.

CLEAR CHROMATE CONVERSION COATING	ALUMINUM ALLOY 7075	2322337-2
PASSIVATED	STAINLESS STEEL PER UNS S30300	2322337-1
MODULE FINISH 2	MODULE MATERIAL 1	PART NUMBER

THIS DRAWING IS A CONTROLLED DOCUMENT.		OWN R. MILLER 30 JUN 2017	TE Connectivity	
DIMENSIONS: INCHES/mm		CHK D. WILSON 30 JUN 2017	NAME 18 POSITION NanoRF MODULE P.C.B. MOUNT - BACKPLANE VITA	
TOLERANCES UNLESS OTHERWISE SPECIFIED:		APVD K. DOWNHOWER 11 APR 2018	SIZE A 00779 C=2322337	
0 PLC ±		PRODUCT SPEC	RESTRICTED TO	
2 PLC ±		108-163006	SCALE 5:1 SHEET 1 OF 2 REV B	
3 PLC ±.005[0.13]		APPLICATION SPEC		
4 PLC ±		408-163016		
ANGLES ±		WEIGHT		
MATERIAL NOTE 1		FINISH NOTE 2	CUSTOMER DRAWING	

REVISIONS				
P.	LTN	DESCRIPTION	DATE	APVD
-	SEE SHEET 1			



J2	2.335[59.32]
J3	4.021[102.14]
J4	5.155[130.94]
J5	6.289[159.74]
J6	7.423[188.54]
POSITION	DIM "X"

TYP PCB LAYOUT - VIEWED FROM BACKSIDE OF BACKPLANE

THIS DRAWING IS A CONTROLLED DOCUMENT.		DWN: R. MILLER 30JUN2017 CHK: D. WILSON 30JUN2017 APVD: K. DOWNHOWER 11APR2018	TE Connectivity
DIMENSIONS: INCHES/mm	TOLERANCES UNLESS OTHERWISE SPECIFIED: 0 PLC ± 1 PLC ± 2 PLC ± 3 PLC ±.005[0.13] 4 PLC ± ANGLES ± FINISH ±	NAME: 18 POSITION NanoRF MODULE PRODUCT SPEC: 108-163006 APPLICATION SPEC: 408-163016 WEIGHT: -	
MATERIAL: NOTE 1	NOTE 2	CUSTOMER DRAWING	RESTRICTED TO: - SCALE: 5:1 SHEET 2 OF 2 REV B