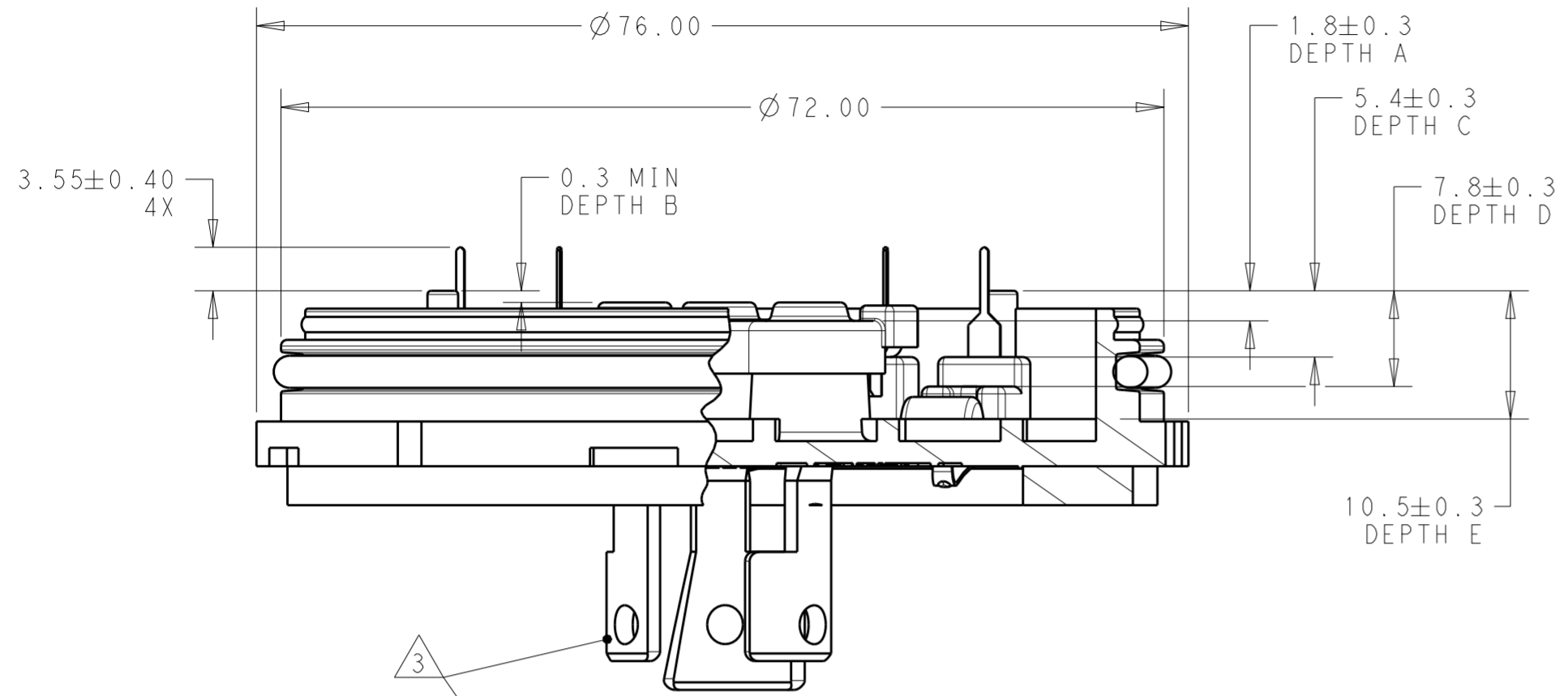


THIS DRAWING IS UNPUBLISHED. RELEASED FOR PUBLICATION 20  
 © COPYRIGHT 20 BY - ALL RIGHTS RESERVED.

REVISIONS				
P	LTR	DESCRIPTION	DATE	APVD
A		RELEASE PER ECR-19-000700	16JAN2019	JS DD



1 MATERIALS:  
 HOUSING AND CAP: PBT  
 DIMMING CONTACTS: COPPER ALLOY  
 LINE VOLTAGE CONTACTS: COPPER ALLOY  
 SHORTING CLIP: COPPER ALLOY  
 GASKET: NBR/PVC BLEND  
 O-RING: SILICONE RUBBER  
 MEMBRANE VENT: PTFE

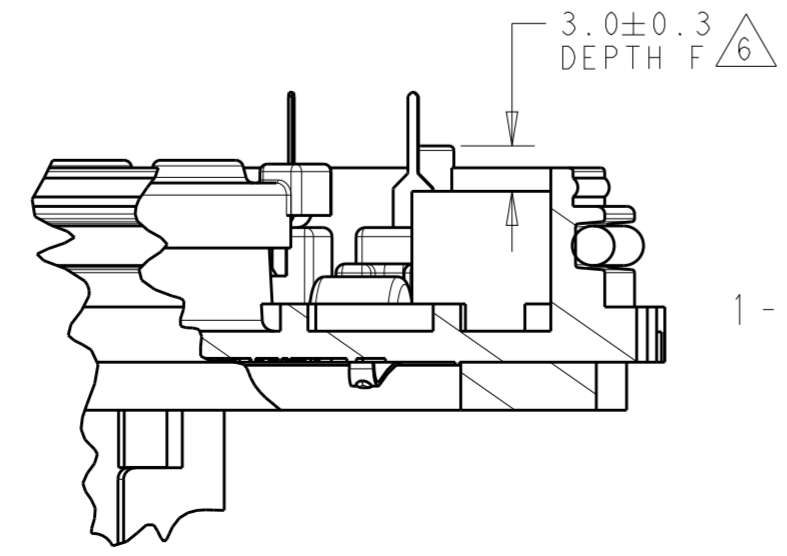
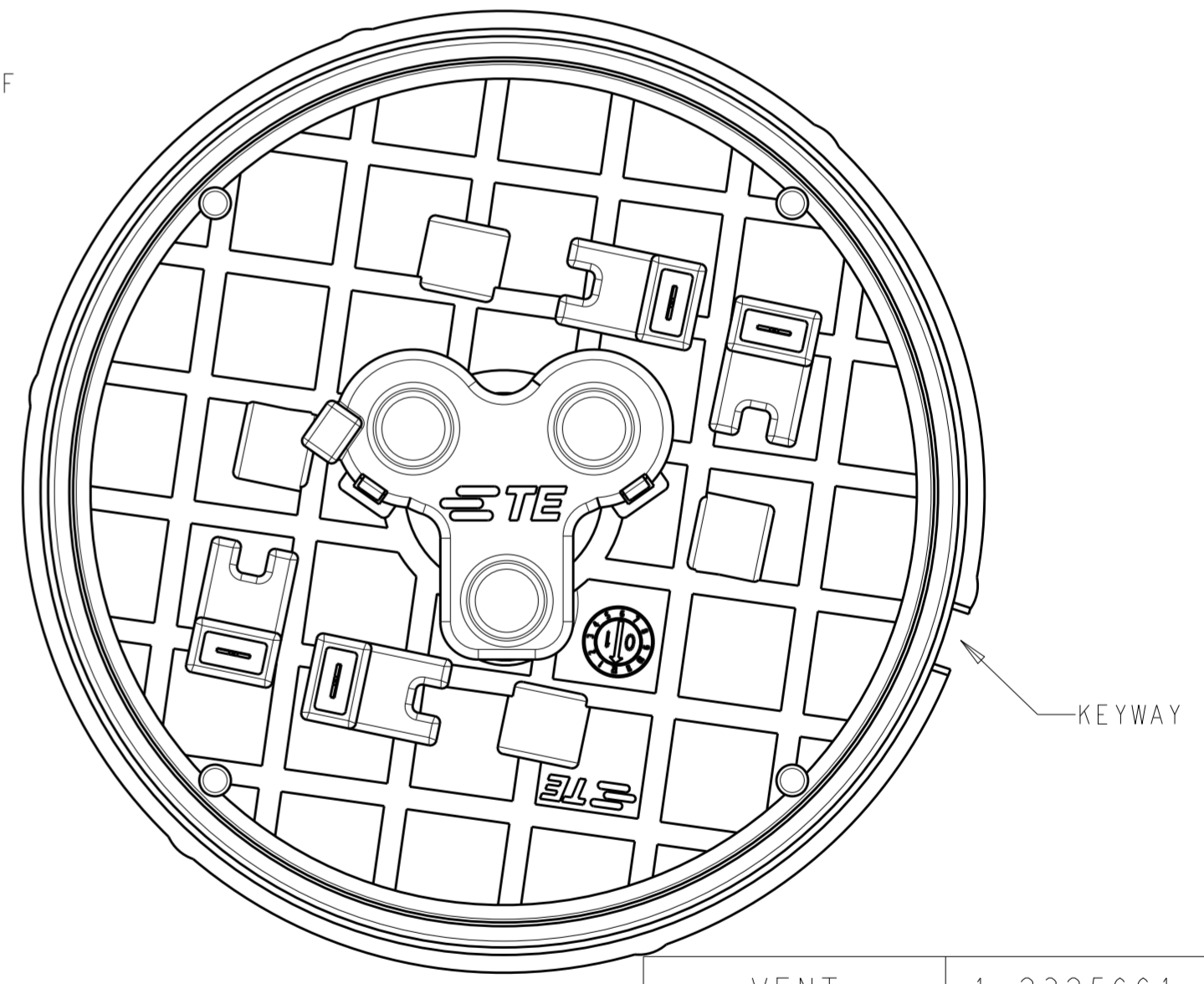
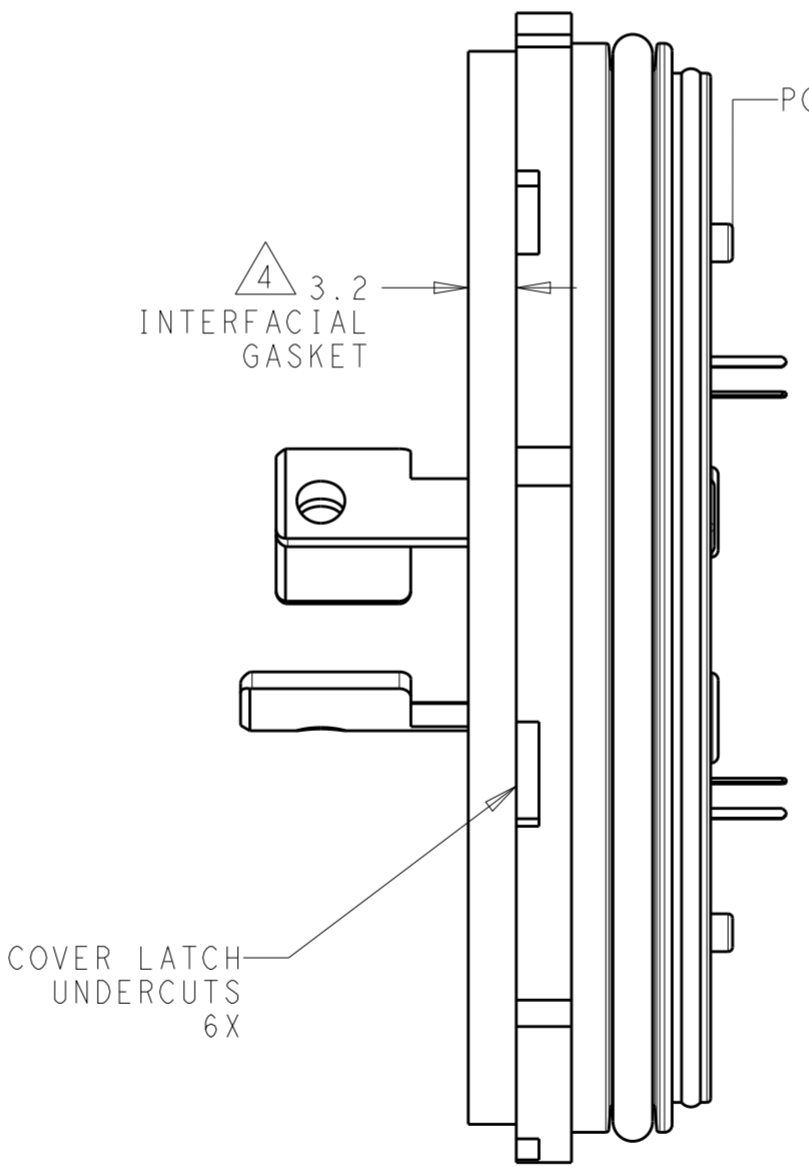
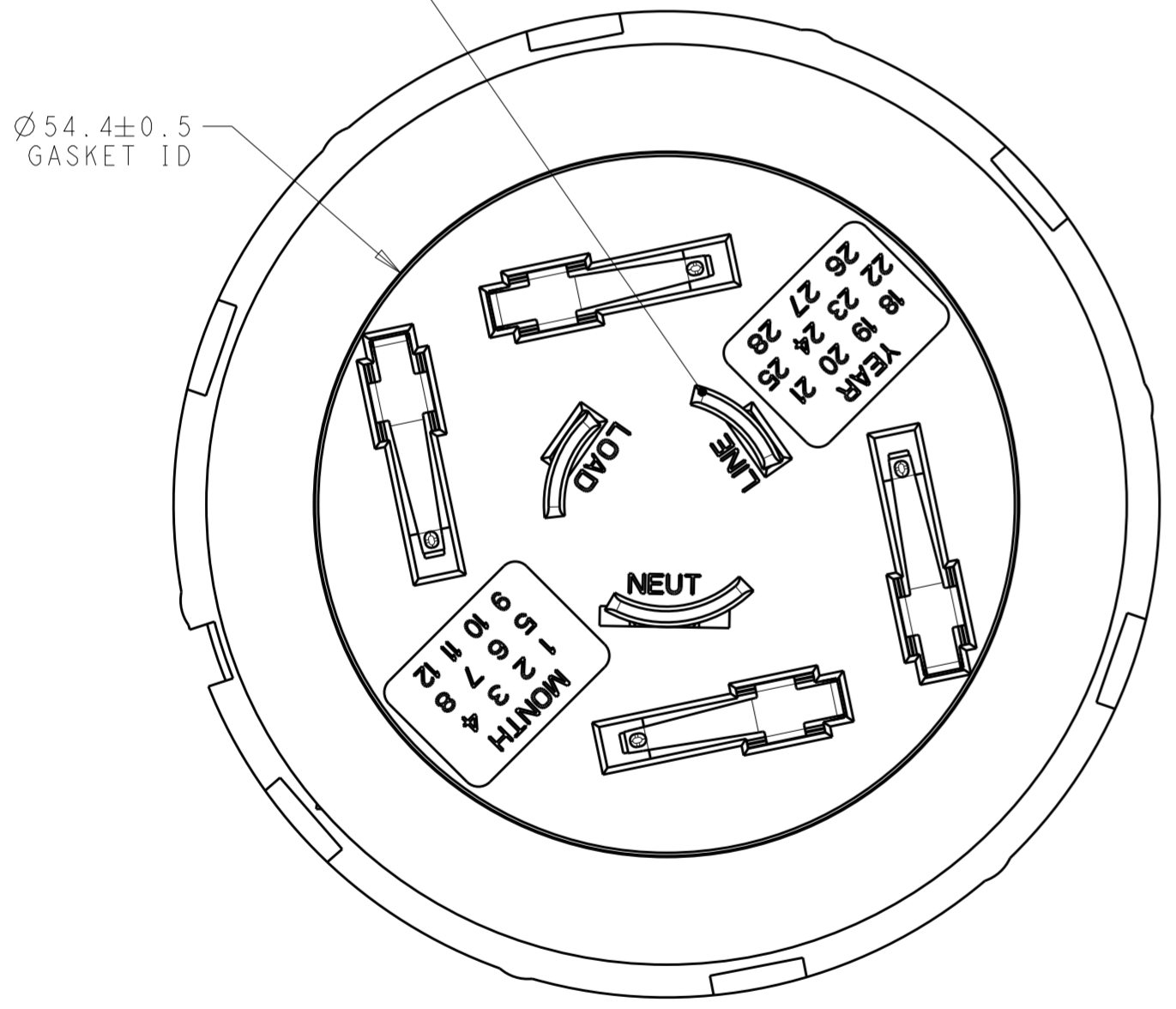
2 FINISH:  
 DIMMING CONTACTS: NICKEL UNDERPLATE ENTIRE  
 CONTACT 0.127 µm MIN THICK. SELECTIVE GOLD PLATE CONTACT  
 MATING AREA (MATING FACE SIDE ONLY) 0.76 µm MIN THICK.  
 MATTE TIN PLATE TAB ON BOTH SIDES 0.30 µm MIN THICK.  
 LINE VOLTAGE CONTACTS: MATTE TIN PLATE

3 MATING INTERFACE PER ANSI C136.41-2013.

4 ADHESIVE BACKED GASKET SUPPLIED BUT NOT INSTALLED

5. THIS PRODUCT HAS NOT COMPLETED VALIDATION TESTING.

6 VENT FEATURES ONLY ON 1-2325661-1



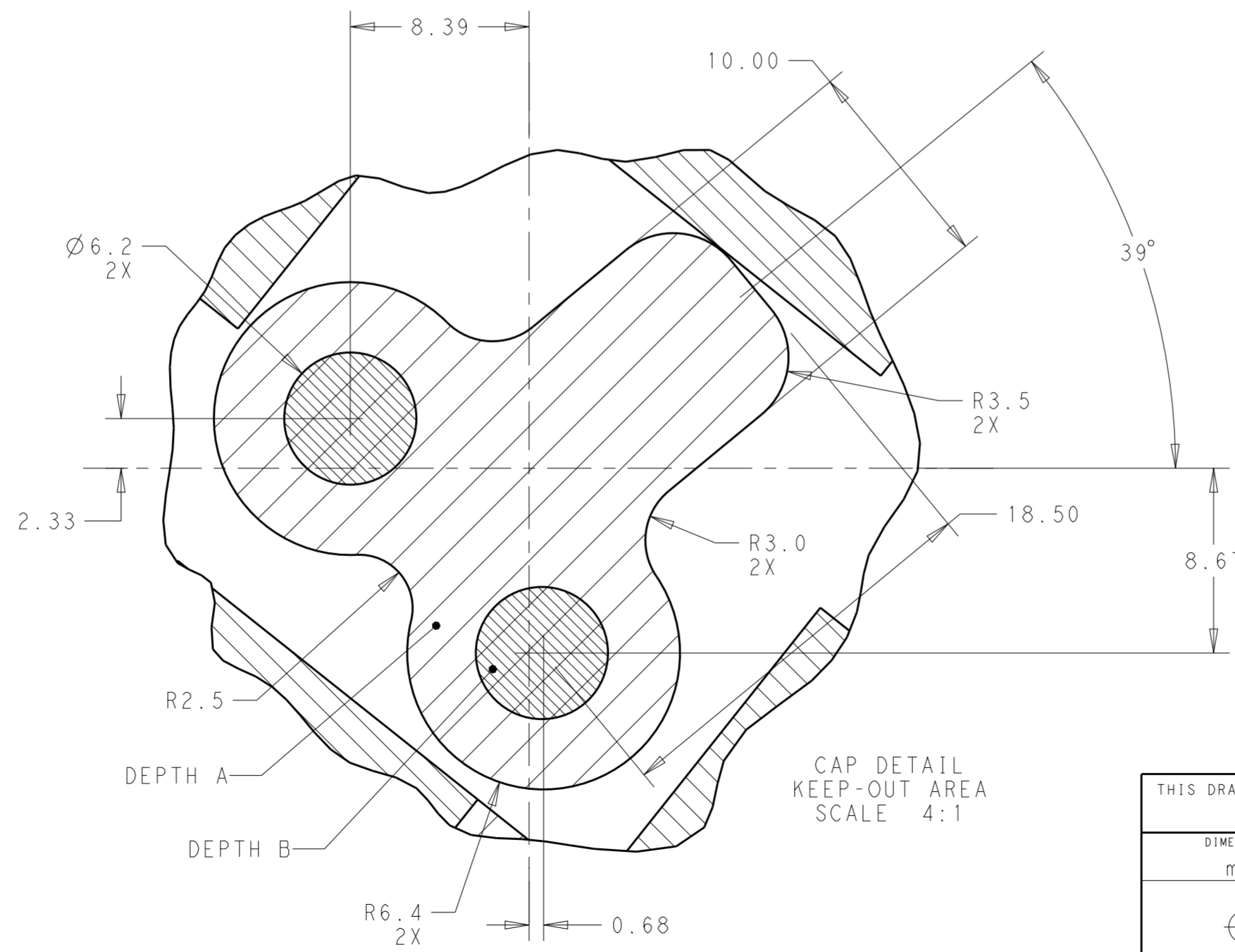
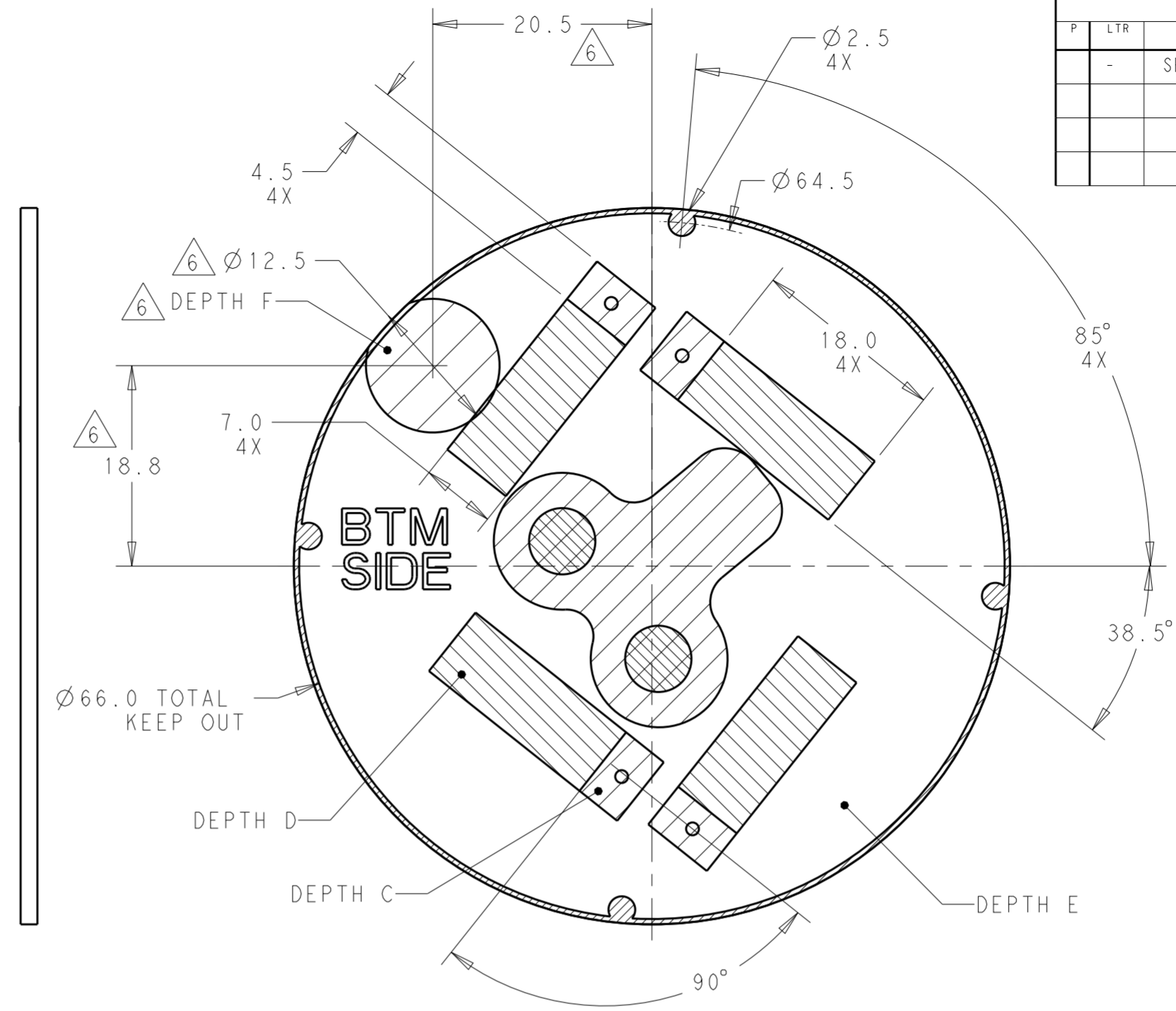
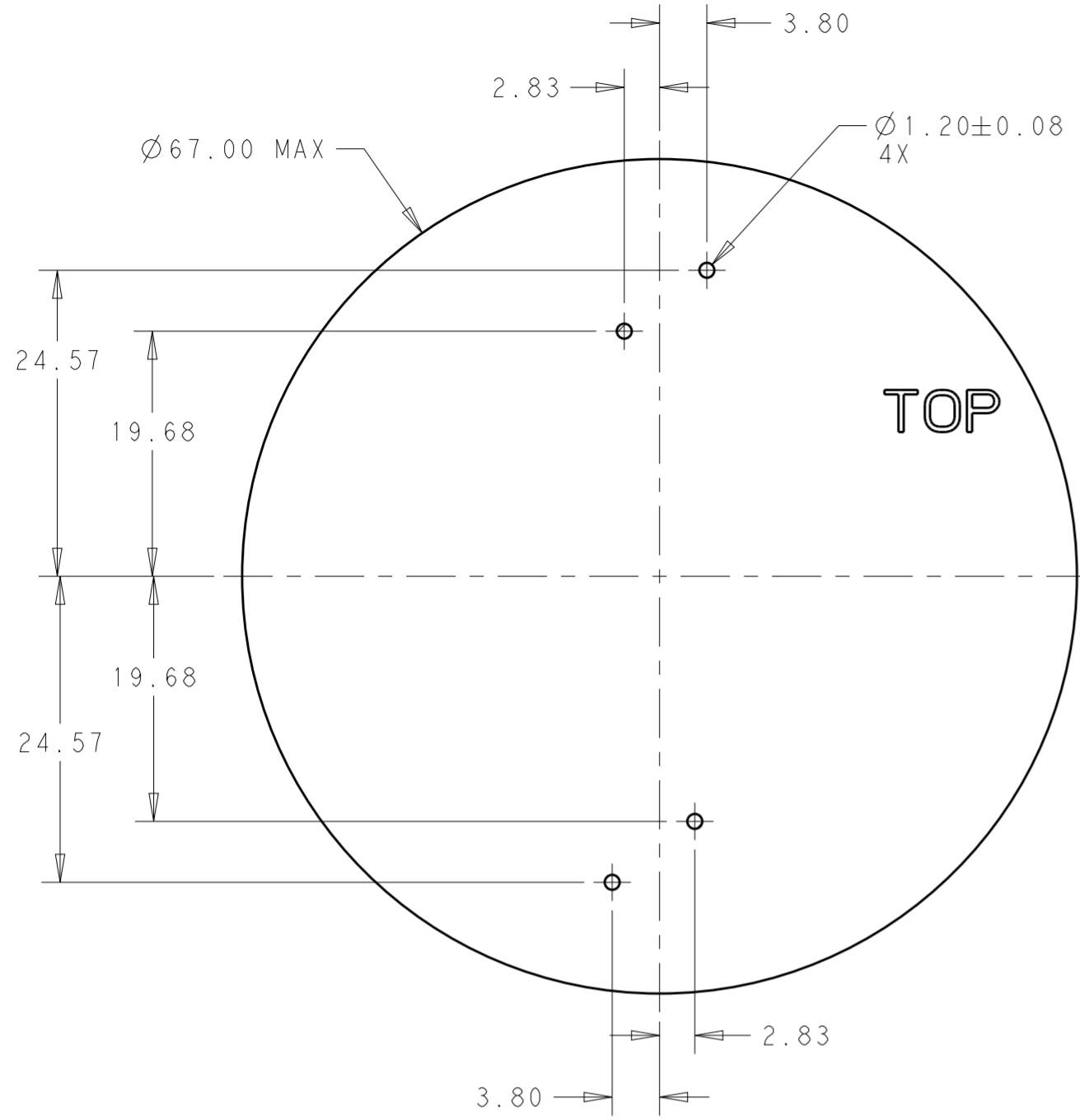
1-2325661-1 SHOWN

VENT	1-2325661-1
NO VENT	2325661-1
NOTES	PART NO.

THIS DRAWING IS A CONTROLLED DOCUMENT.		DWN C DAILY 03OCT2017	TE Connectivity	
		CHK MOSTOLLER 03OCT2017		
DIMENSIONS: mm		APVD -	NAME SHORTING BASE ASSEMBLY, LUMAWISE ENDURANCE N	
TOLERANCES UNLESS OTHERWISE SPECIFIED:		PRODUCT SPEC 108-32125	SIZE A2	
0 PLC ±	1 PLC ±0.2	APPLICATION SPEC 114-32159	CAGE CODE -	DRAWING NO C-2325661
2 PLC ±0.25	3 PLC ±	WEIGHT -	RESTRICTED TO -	
4 PLC ±	ANGLES ±	CUSTOMER DRAWING		
FINISH		SCALE 1:1 SHEET 1 OF 2 REV A		

THIS DRAWING IS UNPUBLISHED. RELEASED FOR PUBLICATION 20  
 © COPYRIGHT 20 BY - ALL RIGHTS RESERVED.

REVISIONS				
P	LTR	DESCRIPTION	DATE	APVD
-	-	SEE SHEET 1	-	-



RECOMMENDED PCB

THIS DRAWING IS A CONTROLLED DOCUMENT.		DWN C. DAILY 03OCT2017	TE Connectivity	
		CHK M. STOLLER 03OCT2017		
DIMENSIONS: mm		APVD -	NAME SHORTING BASE ASSEMBLY, LUMAWISE ENDURANCE N	
TOLERANCES UNLESS OTHERWISE SPECIFIED:		PRODUCT SPEC 108-32125	SIZE A2	
0 PLC ±		APPLICATION SPEC 114-32159	CAGE CODE -	DRAWING NO C-2325661
1 PLC ±0.2		WEIGHT -	RESTRICTED TO -	SCALE 1:1
2 PLC ±0.25		CUSTOMER DRAWING	SHEET 2 OF 2	REV A
3 PLC ±				
4 PLC ±				
ANGLES ±				
FINISH ±				