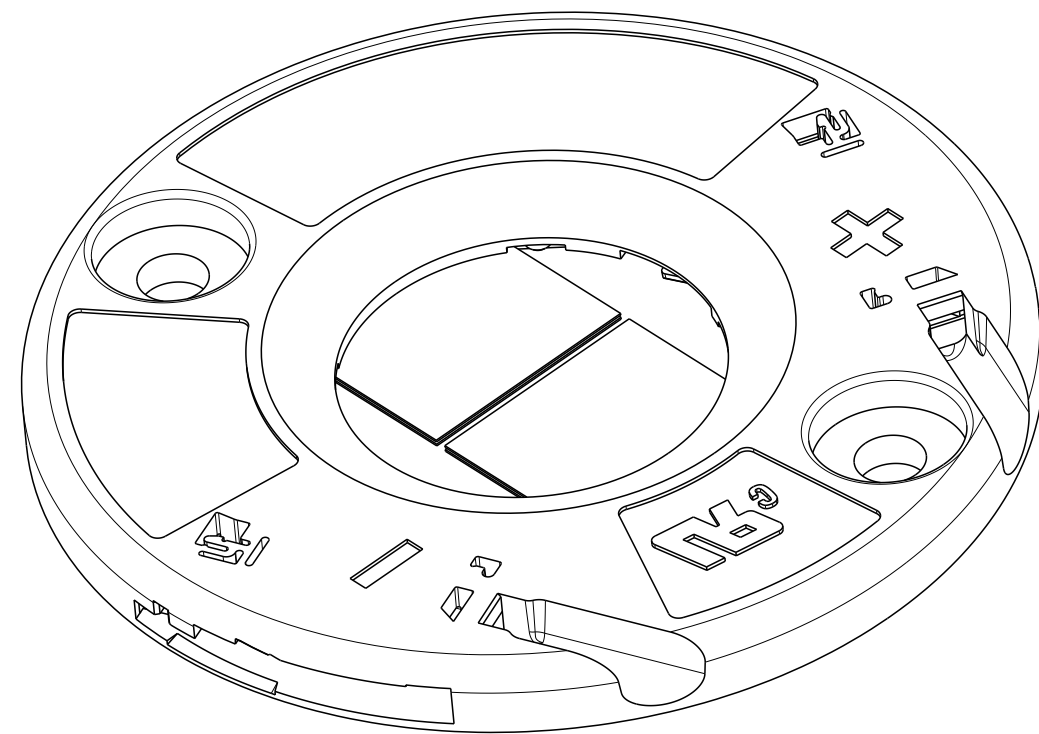


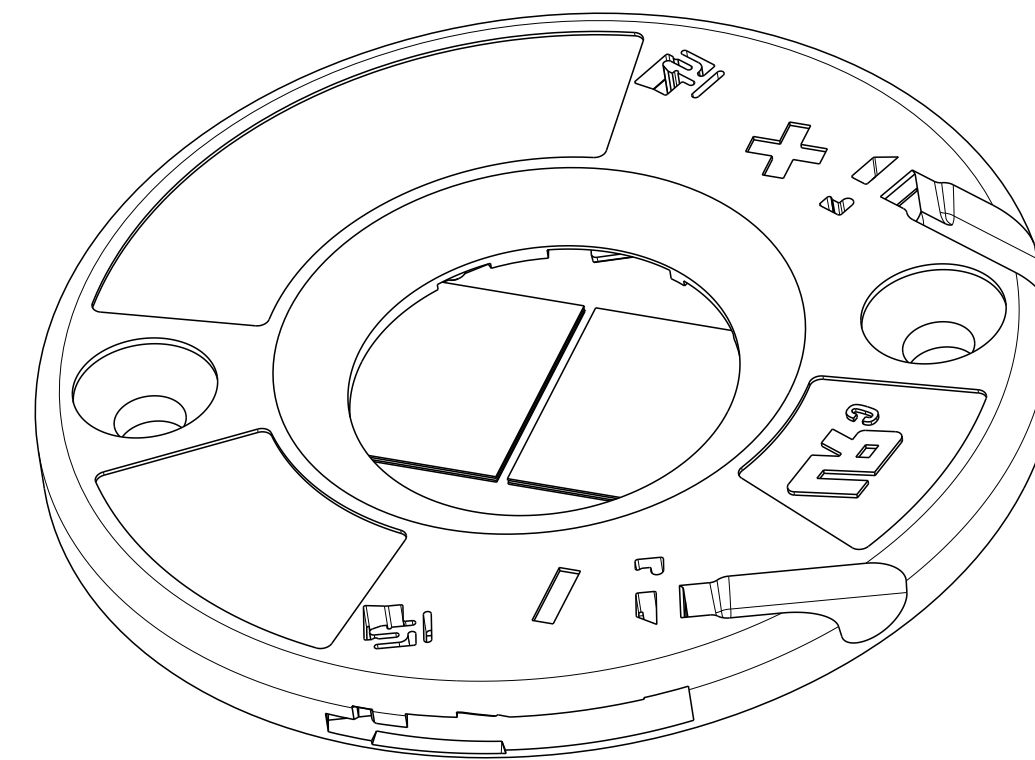
THIS DRAWING IS UNPUBLISHED. RELEASED FOR PUBLICATION 20
 © COPYRIGHT 20 BY - ALL RIGHTS RESERVED.

REVISIONS					
P	LTR	DESCRIPTION	DATE	DWN	APVD
B1		ECR-19-013004	26AUG2019	SR	JL
B2		ECR-20-000836	23JAN2020	SB	JL
B3		ECR-20-002949	02MAR2020	SR	JL
B4		ECR-20-006986	18MAY2020	SR	DD

- 1 MATERIALS:
 HOLDER: PBT ,COLOR: NATURAL;
 CONTACTS: COPPER ALLOY, Au/Ni PLATING (LED INTERFACE)
- 2. FOR SOLID, FUSED AND STRANDED CONDUCTOR WIRE TYPES AWG 18 AND 20
- 3. WIRE STRIP LENGTH: 11-12mm
- 4. MAX. WIRE INSULATION OUTER DIA: $\varnothing 2,3\text{mm}$
- 5. RECOMMENDED SCREW TORQUE: SEE APPLICATION SPECIFICATION 114-133107.
- 6. SCREWS TO BE USED: M3, #4-40
- 7. LED MATING ON 2 CORNERS WITH ADHESIVE TAPE 3M 9472LE 300LSE.
- 8 LAYOUTS ON SHEET 4
- 9. FOR COB-TO-HOLDER CROSS REFERENCE, REFER TO APPLICATION SPECIFICATION 114-32208
- 10 PACKAGED ONE TRAY OF 20 PCS PER BOX, 10 BOXES PER SHIPPING CARTON.



PAN HEAD
SCALE 3:1



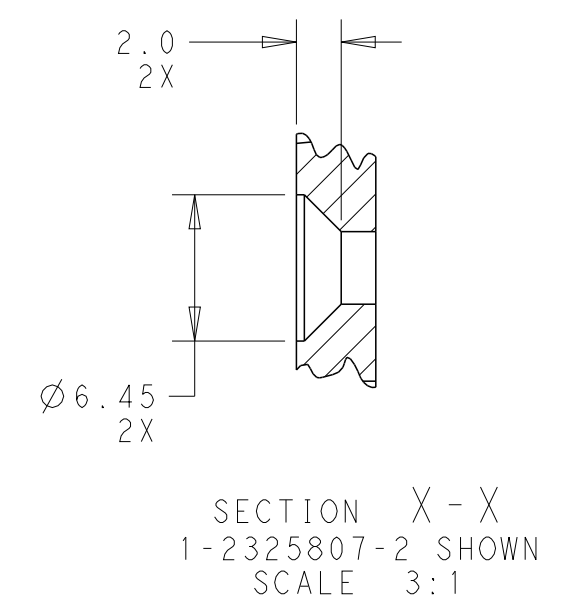
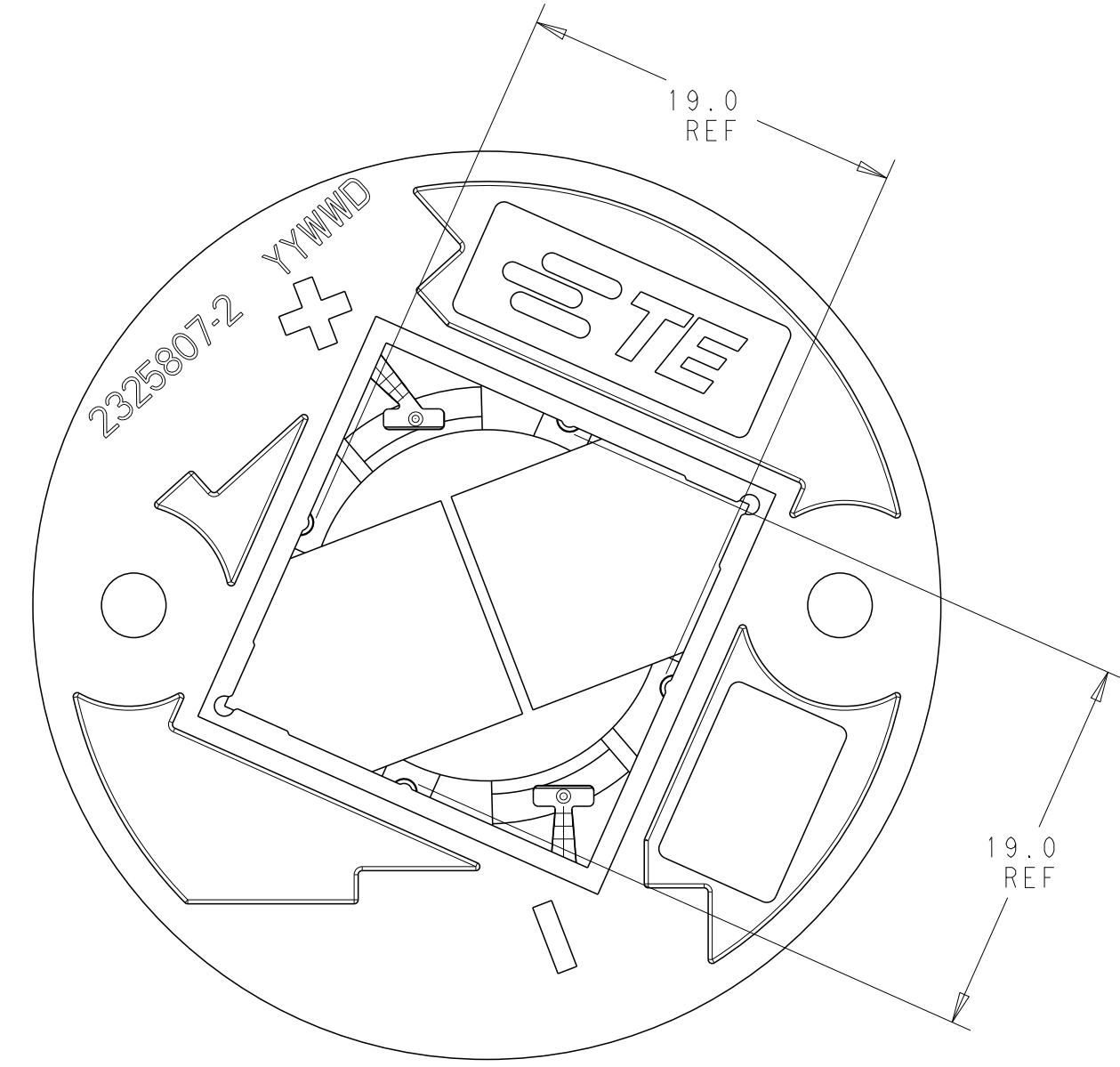
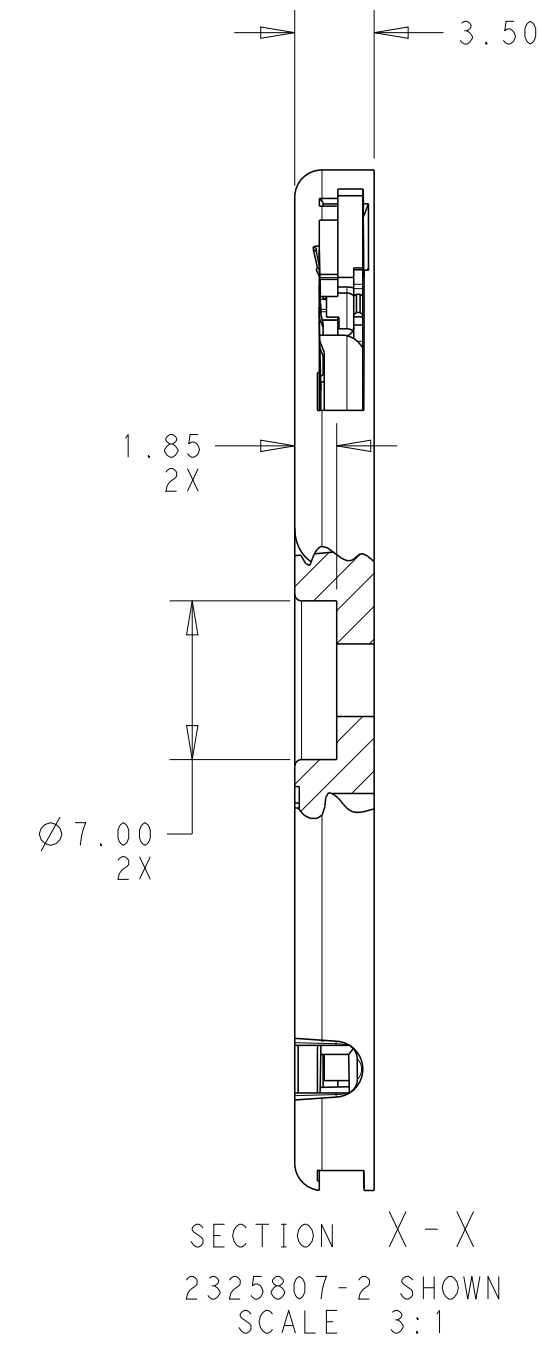
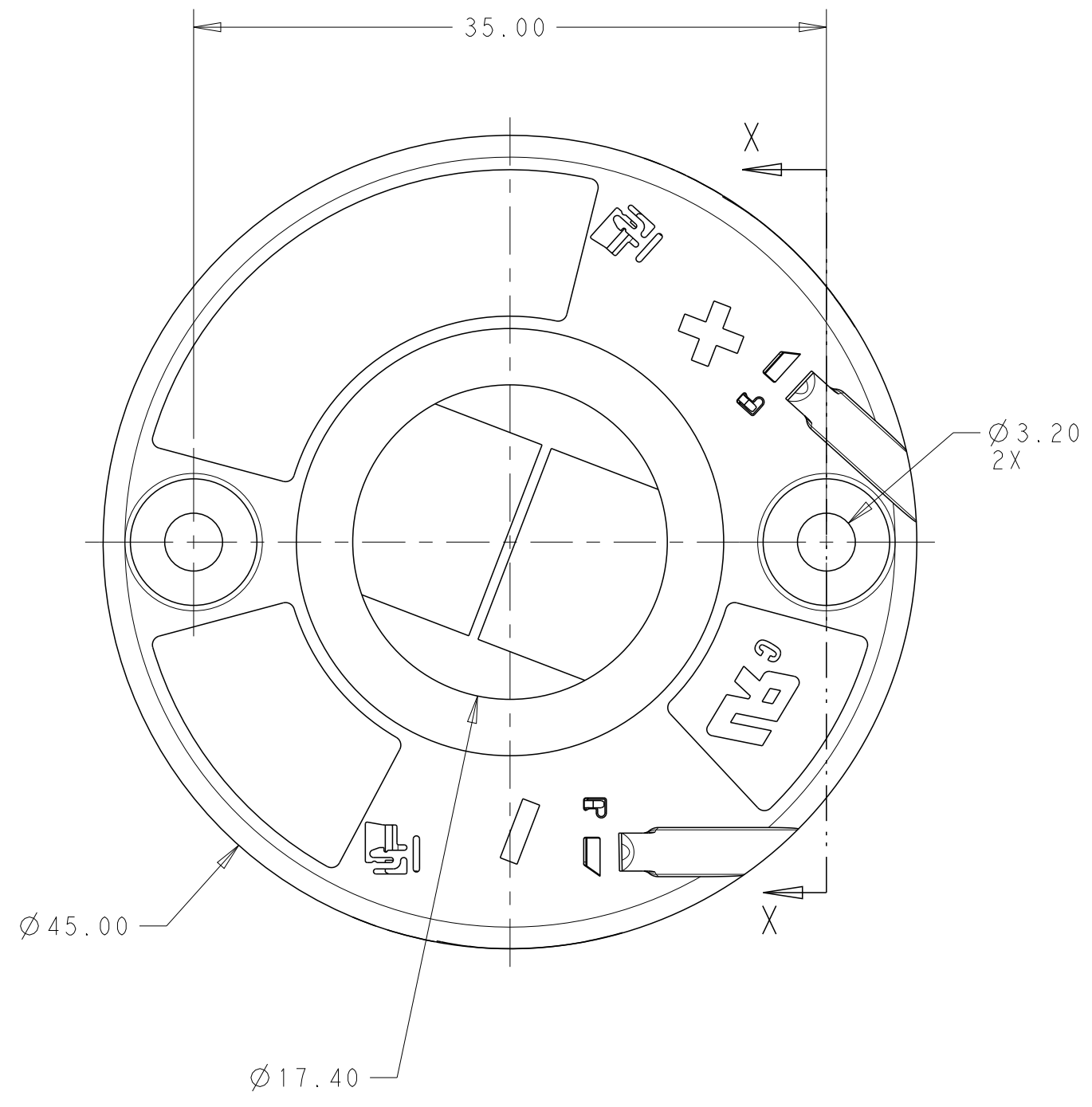
COUNTERSINK
SCALE 3:1

10	B	COUNTERSINK	5-2325807-3
	B	PAN HEAD	4-2325807-3
	A	PAN HEAD	4-2325807-2
	B	COUNTERSINK	1-2325807-3
	B	PAN HEAD	2325807-3
	A	COUNTERSINK	1-2325807-2
	A	PAN HEAD	2325807-2
	LED LAYOUT 8	DESCRIPTION	PART NO.

THIS DRAWING IS A CONTROLLED DOCUMENT.		DWN C DAILY 18DEC2017	TE Connectivity	
		CHK J LATORRE 18DEC2017		
DIMENSIONS:	TOLERANCES UNLESS OTHERWISE SPECIFIED:	APVD -	NAME LED HOLDER, 19x19 LUMAWISE Z45 LED	RESTRICTED TO
mm	0 PLC ± 1 PLC ±0.2 2 PLC ±0.13 3 PLC ± 4 PLC ±	PRODUCT SPEC 108-133062	SIZE A200779	CAGE CODE C-2325807
MATERIAL	FINISH -	APPLICATION SPEC 114-133107	DRAWING NO	SCALE 2:1
		WEIGHT -	SHEET 1 OF 4	REV B4
		CUSTOMER DRAWING		

THIS DRAWING IS UNPUBLISHED. RELEASED FOR PUBLICATION 20
 © COPYRIGHT 20 BY - ALL RIGHTS RESERVED.

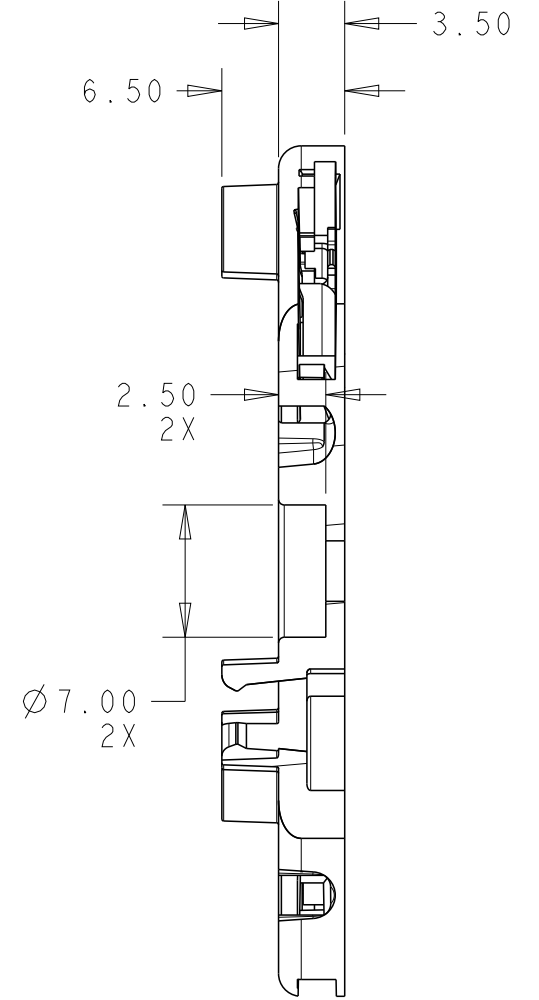
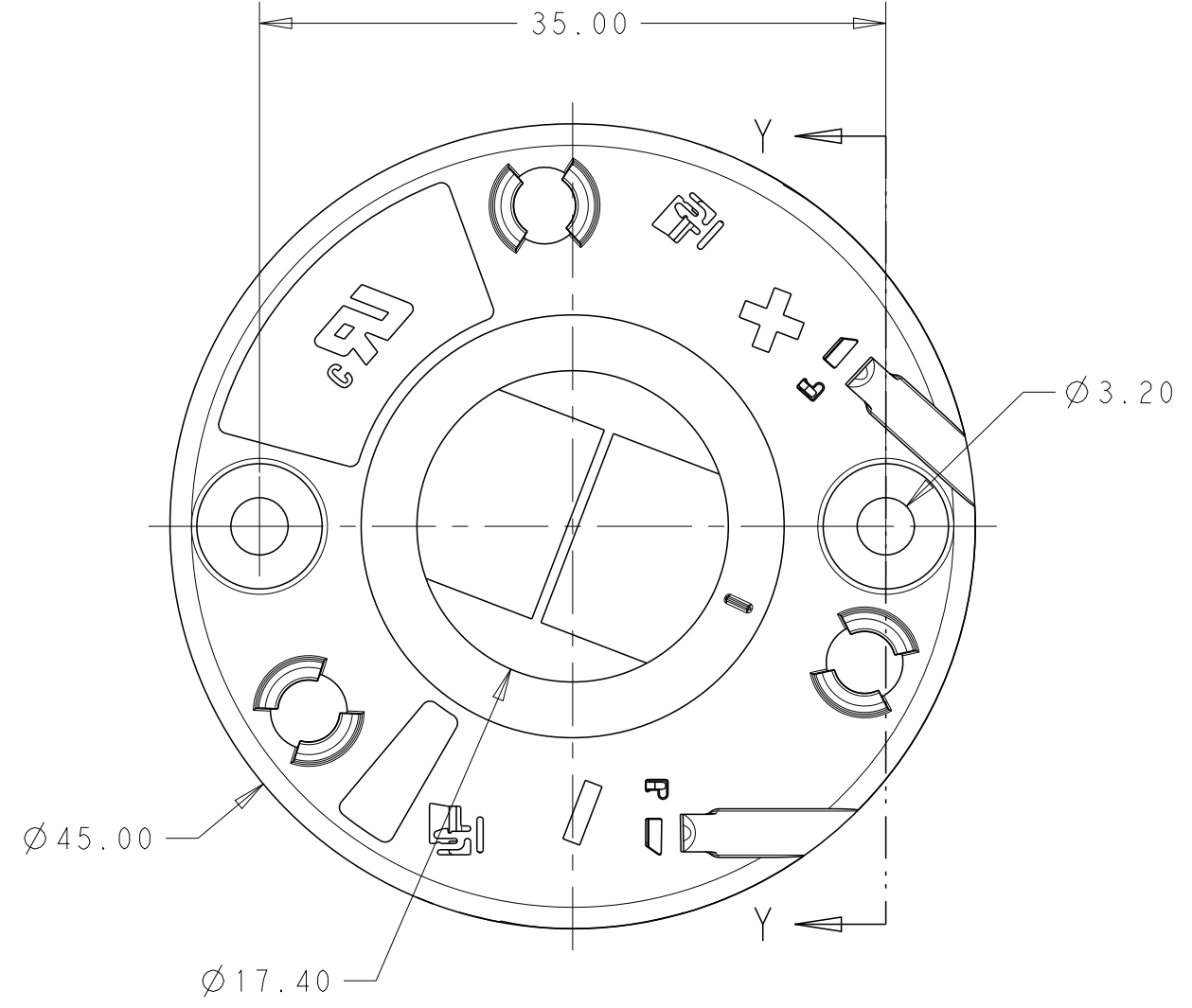
REVISIONS				
P	LTR	DESCRIPTION	DATE	APVD
-	-	SEE SHEET 1	-	-



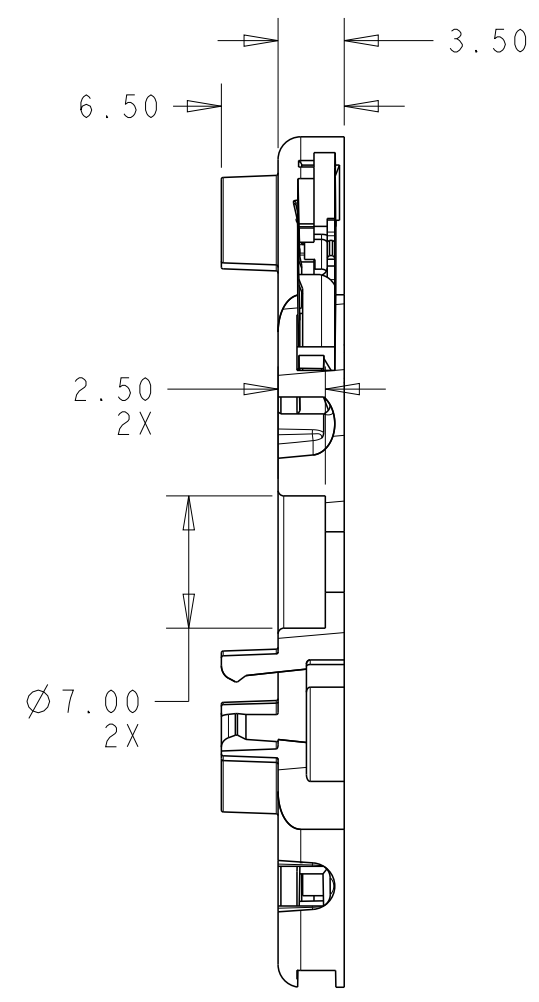
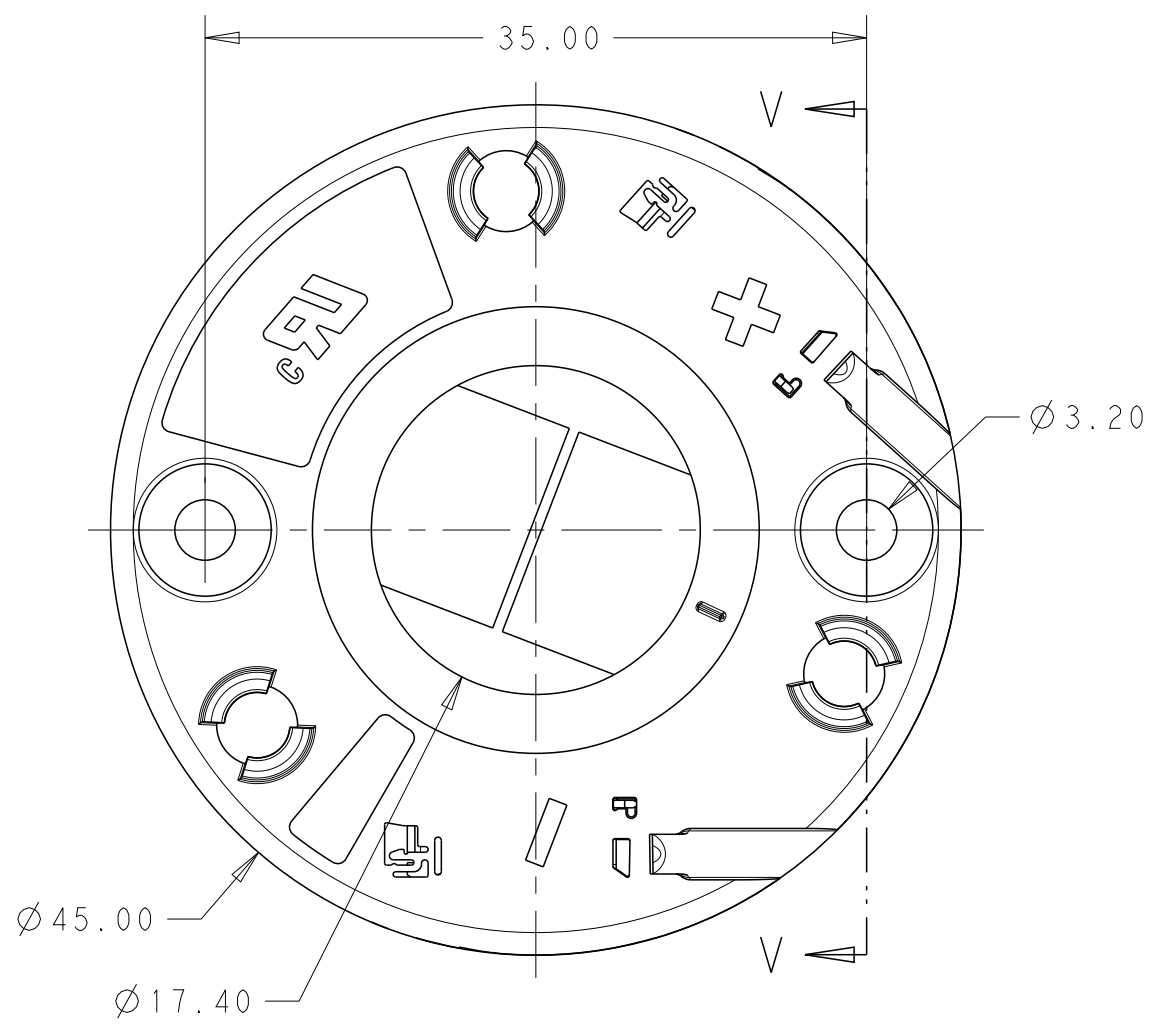
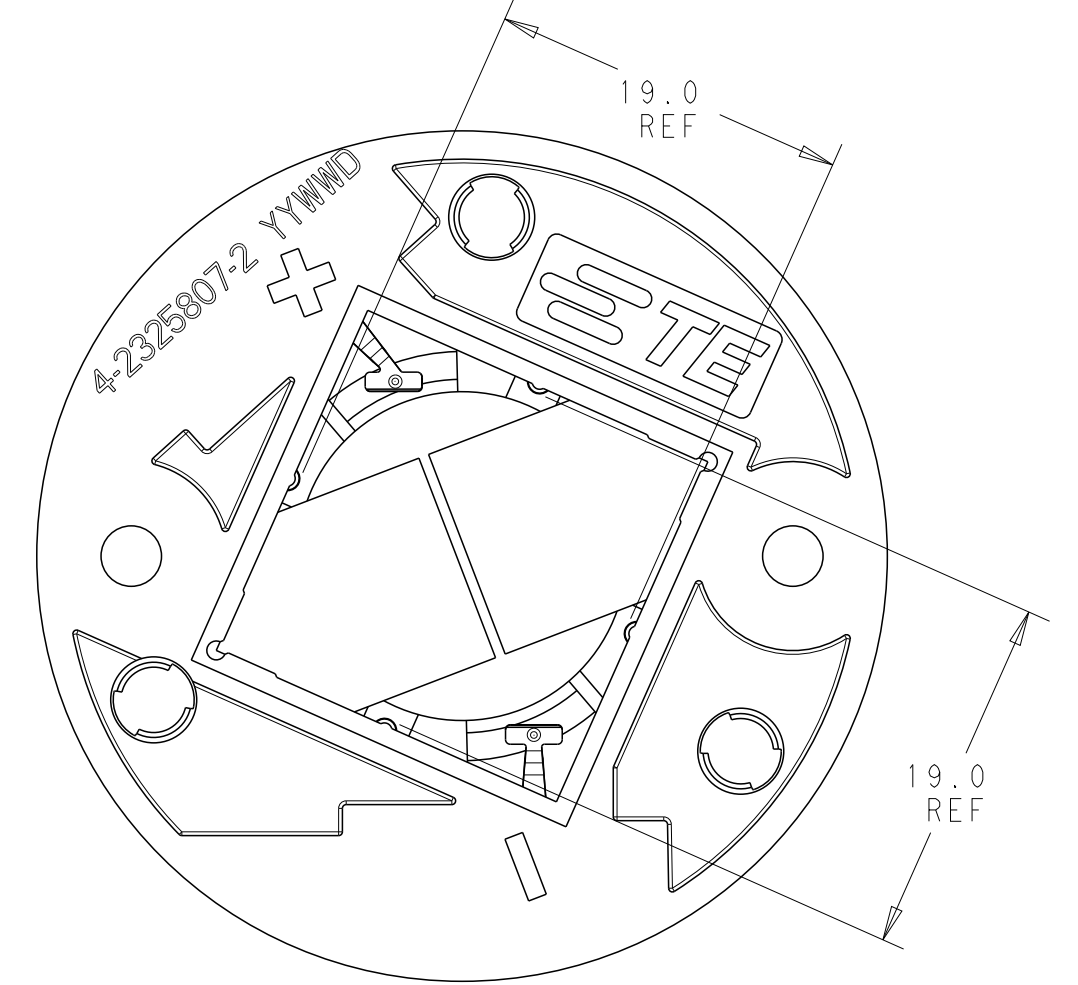
THIS DRAWING IS A CONTROLLED DOCUMENT.		DWN C. DAILY 18DEC2017	STE TE Connectivity	
		CHK J. LATORRE 18DEC2017		
DIMENSIONS: mm		TOLERANCES UNLESS OTHERWISE SPECIFIED:		APVD -
		0 PLC ±	NAME LED HOLDER, 19x19 LUMAWISE Z45 LED	
		1 PLC ±0.2	PRODUCT SPEC 108-133062	
		2 PLC ±0.13	APPLICATION SPEC 114-133107	
		3 PLC ±	WEIGHT -	
MATERIAL		4 PLC ±	SIZE A200779	CAGE CODE C-2325807
		ANGLES ±2°	DRAWING NO -	
		FINISH -	RESTRICTED TO -	
		-	CUSTOMER DRAWING	
		-	SCALE 3:1	SHEET 2 OF 4
		-	REV B4	

THIS DRAWING IS UNPUBLISHED. RELEASED FOR PUBLICATION 20
 © COPYRIGHT 20 BY - ALL RIGHTS RESERVED.

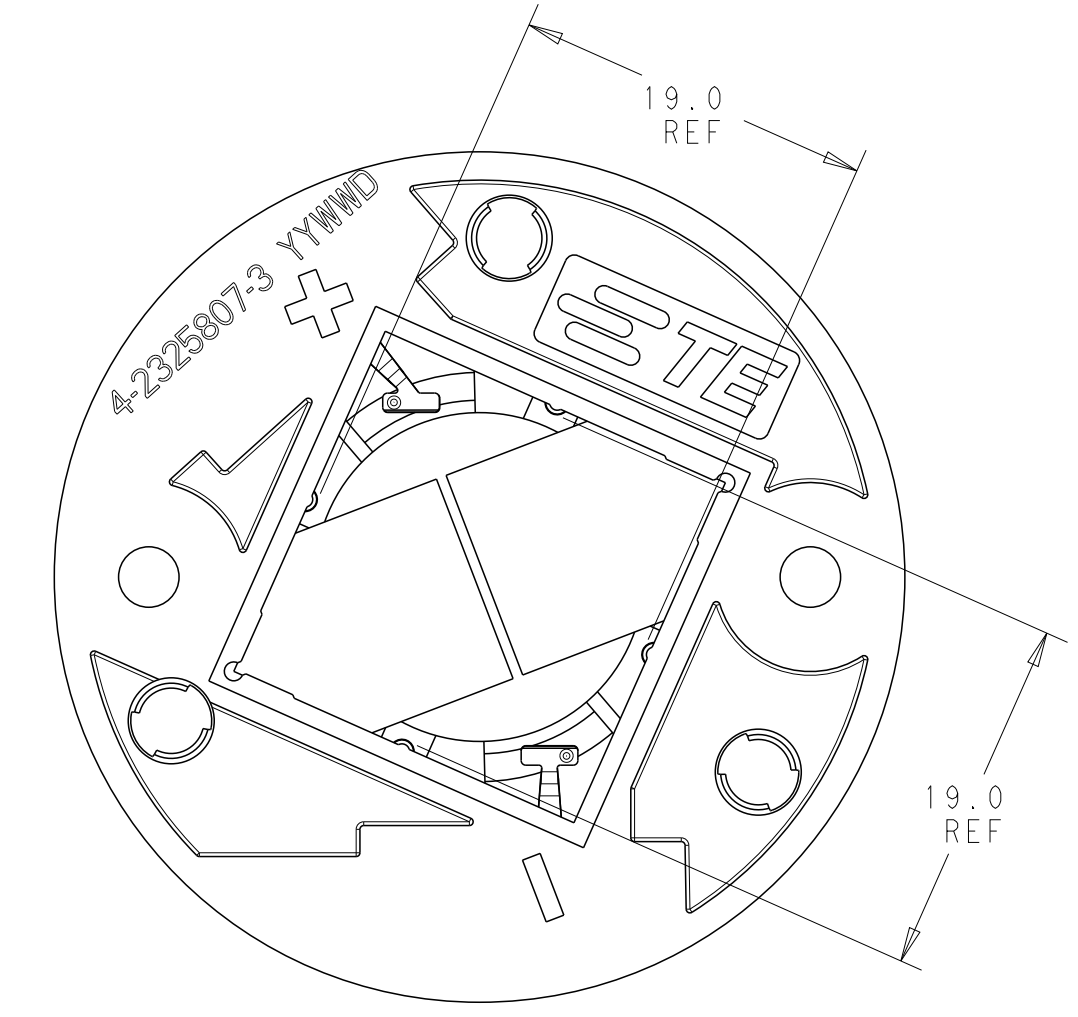
REVISIONS				
P	LTR	DESCRIPTION	DATE	APVD
-	-	SEE SHEET 1	-	-



SECTION Y-Y
4-2325807-2 SHOWN



SECTION V-V
4-2325807-3 SHOWN



THIS DRAWING IS A CONTROLLED DOCUMENT.		DWN C. DAILY 18DEC2017	STE TE Connectivity	
		CHK J. LATORRE 18DEC2017		
DIMENSIONS:	TOLERANCES UNLESS OTHERWISE SPECIFIED:	APVD -	NAME LED HOLDER, 19x19 LUMAWISE Z45 LED	
mm	0 PLC ± 1 PLC ±0.2 2 PLC ±0.13 3 PLC ± 4 PLC ±	PRODUCT SPEC 108-133062	SIZE -	
	ANGLES ±2°	APPLICATION SPEC 114-133107	CAGE CODE A200779	DRAWING NO C-2325807
MATERIAL	FINISH -	WEIGHT -	RESTRICTED TO -	
		CUSTOMER DRAWING	SCALE 2:1	SHEET 3 OF 4
			REV B4	