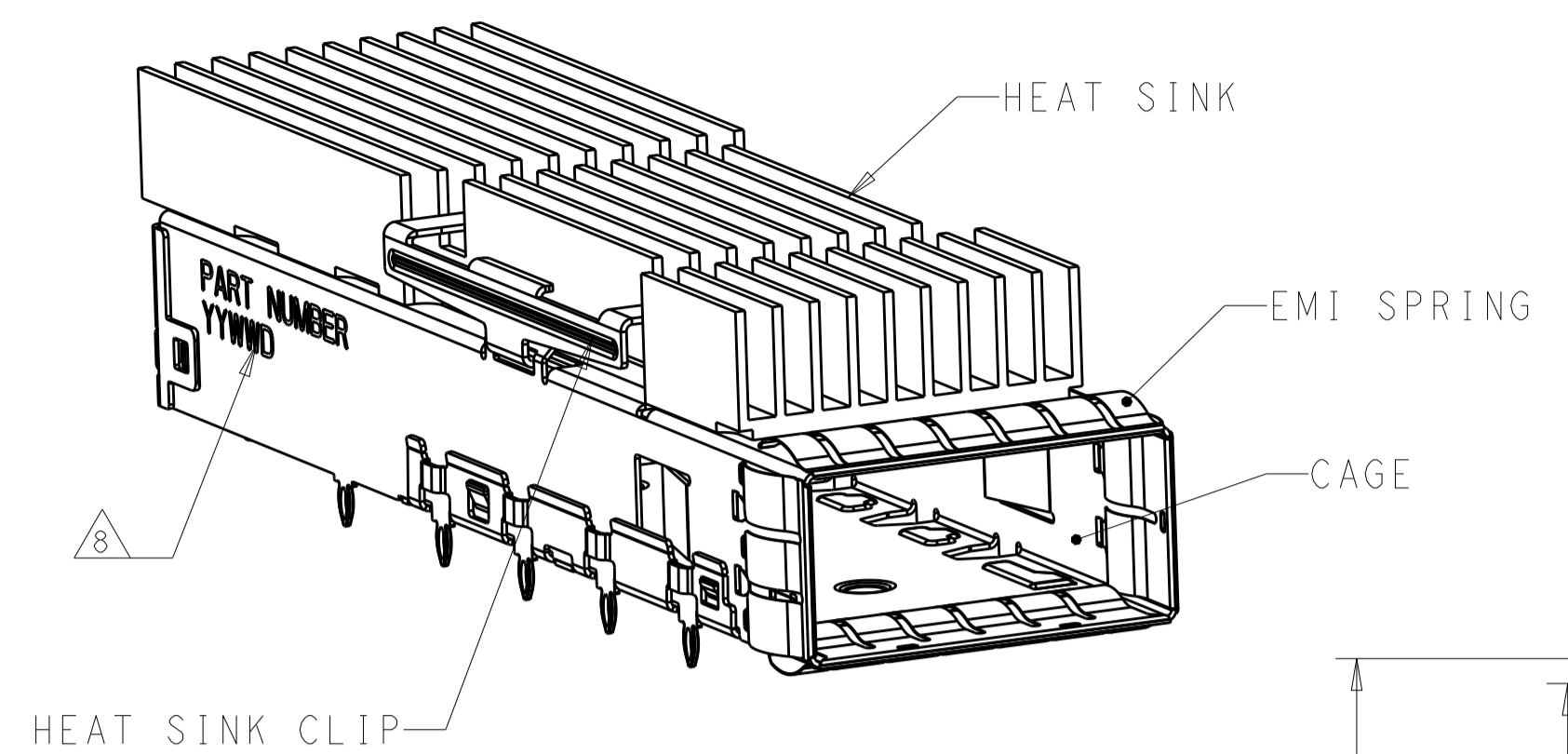
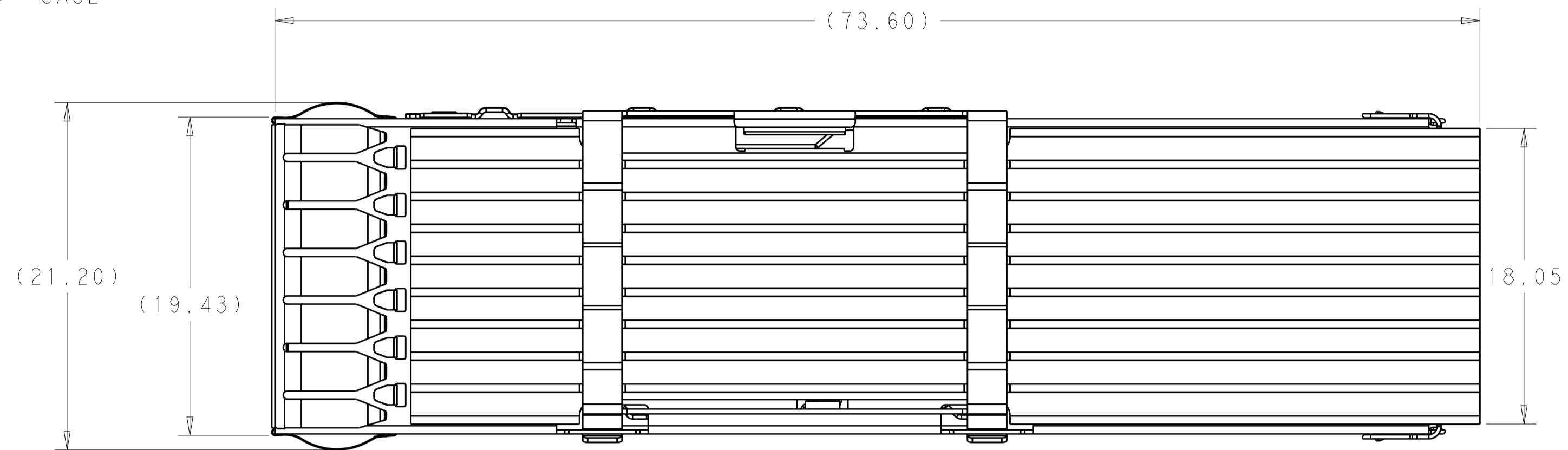


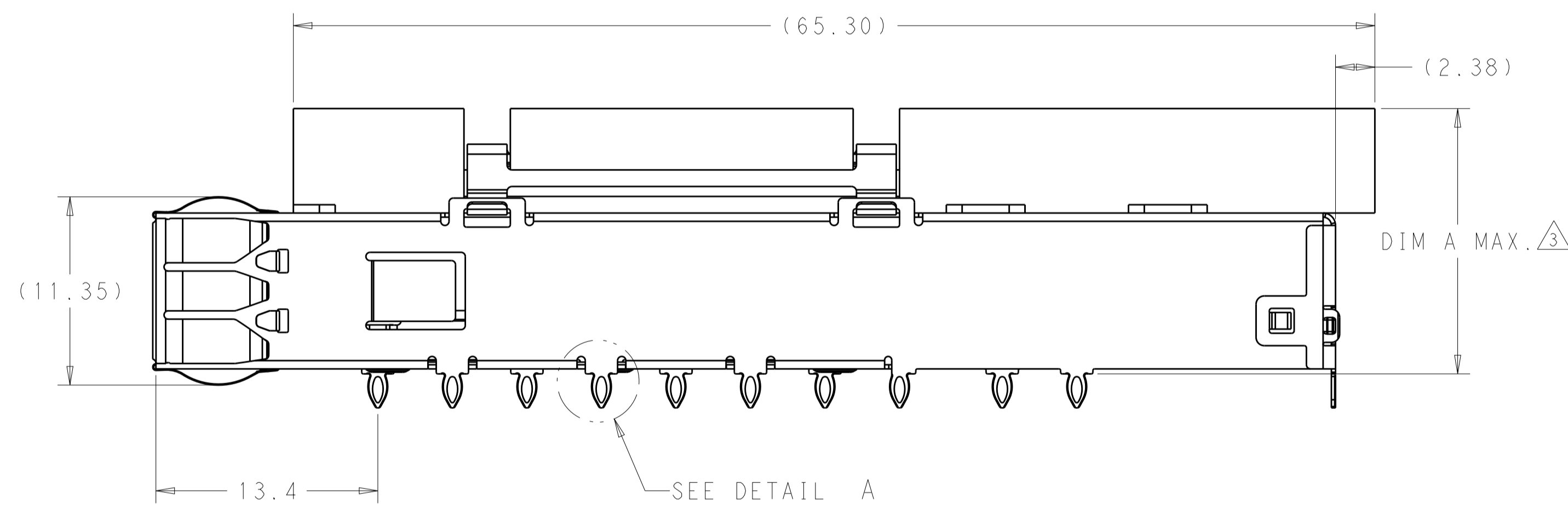
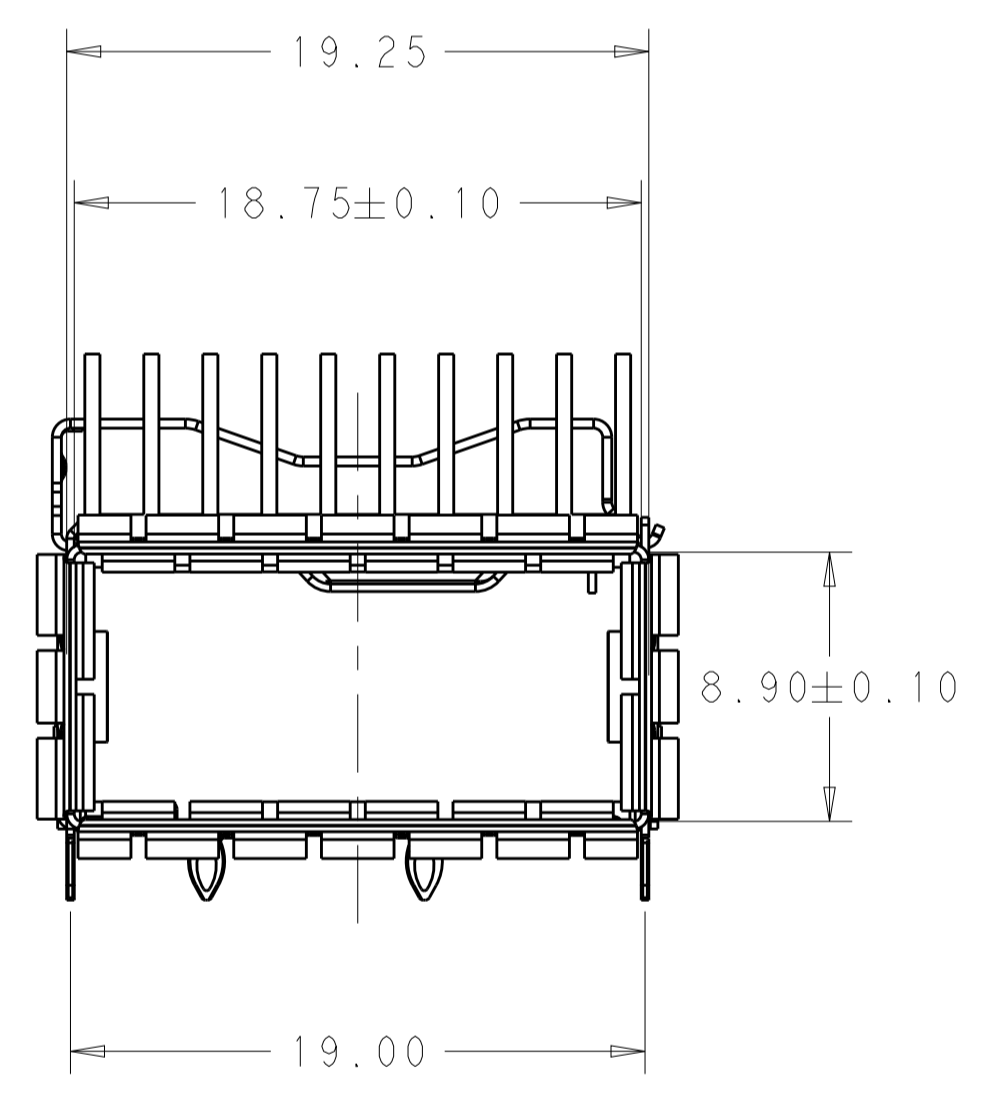
LOC		DIST		REVISIONS			
				REV	DATE	BY	APPV
		A		INITIAL RELEASE	09SEP2019	AJ	SH
		B		ADDED NEW DASH NUMBER 1-3/1-4	22OCT2019	AJ	SH



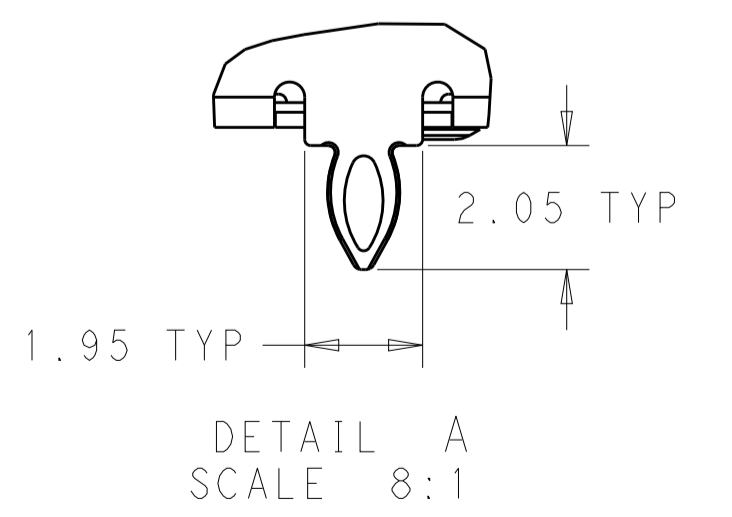
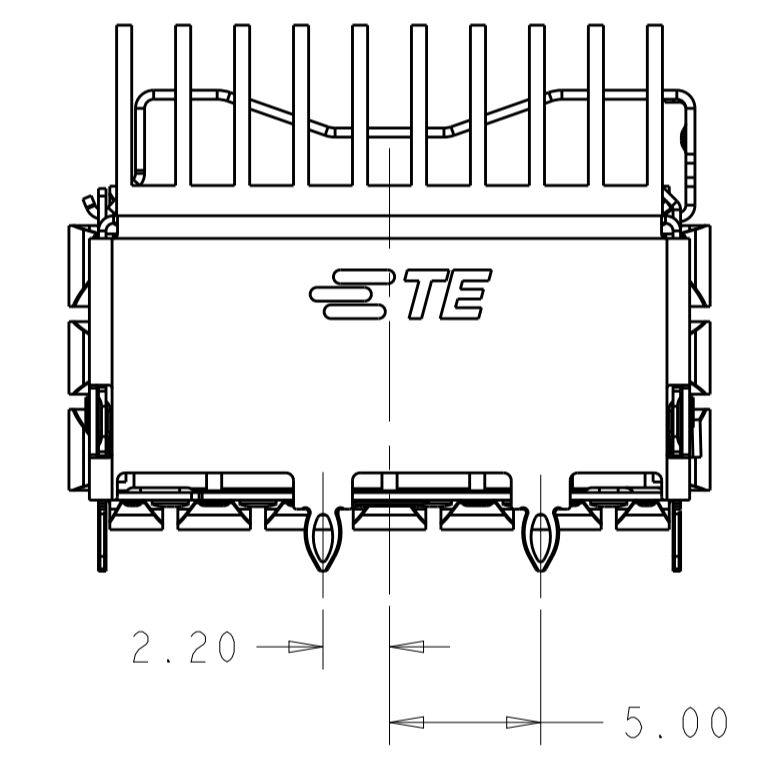
2327362-1 AS SHOWN
SCALE 3:1



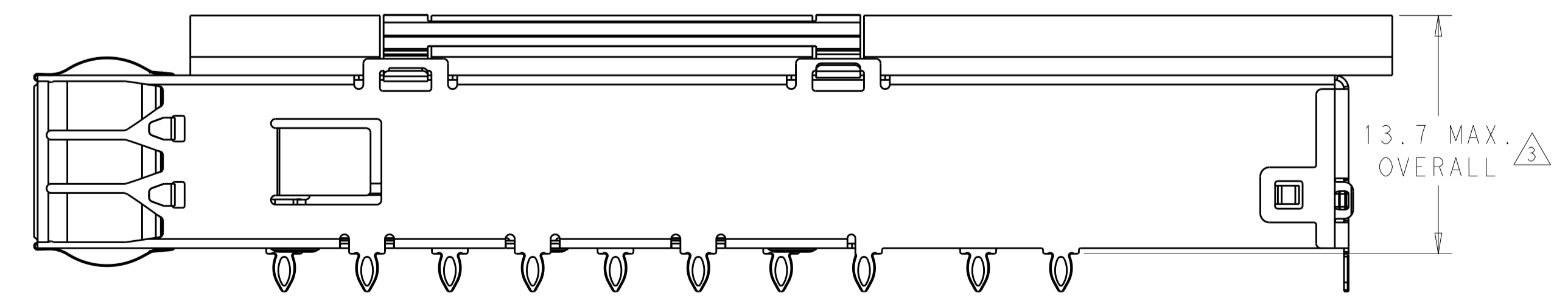
- MATERIAL:
CAGE MATERIAL : 0.25 THICK STAINLESS STEEL.
SPRING MATERIAL: COPPER ALLOY
CLIP MATERIAL: STAINLESS STEEL
HEAT SINK: ALUMINUM
- FINISH:
SPRING: NICKEL PLATING
HEAT SINK: NICKEL PLATING/BLACK ANODIZING
- DIMENSION APPLIES WITH MODULE INSTALLED IN THE CAGE TO TOP OF HEAT SINK.
- REFERENCE APPLICATION SPEC 114-60025 FOR RECOMMENDED DRILL HOLE DIAMETER AND PLATING THICKNESS.
- DATUM AND BASIC DIMENSIONS ESTABLISHED BY CUSTOMERS.
- MINIMUM PC BOARD THICKNESS : SINGLES SIDED: 1.57 MIN
DOUBLE SIDED: 3.00 MIN
- DATUM -A- IS TOP SURFACE OF THE HOST BOARD.
- DATE CODE (YYWW) MARKED APPROXIMATELY AS SHOWN
- MATES WITH QSFP DD MSA COMPATIBLE TRANSCEIVER.



2327362-1 AS SHOWN
SCALE 4:1



DETAIL A
SCALE 8:1



2327362-5 AS SHOWN
SCALE 4:1

NICKEL PLATING	22.4	2	1-2327362-6
NICKEL PLATING	25.7	2	1-2327362-4
BLACK ANODIZING	33.0	2	1-2327362-3
BLACK ANODIZING	15.85	2	1-2327362-2
BLACK ANODIZING	19.85	2	1-2327362-1
BLACK ANODIZING	15.85	0	1-2327362-0
BLACK ANODIZING	16.00	0	2327362-9
BLACK ANODIZING	14.7	0	2327362-8
BLACK ANODIZING	18.45	2	2327362-7
NICKEL PLATING	24.4	2	2327362-6
BLACK ANODIZING	13.7	2	2327362-5
NICKEL PLATING	25.7	2	2327362-4
BLACK ANODIZING	14.7	2	2327362-3
NICKEL PLATING	17.2	2	2327362-2
NICKEL PLATING	16.7	2	2327362-1
HEAT SINK FINISH	DIM A	# REAR PINS	PART NUMBER

THIS DRAWING IS A CONTROLLED DOCUMENT. DWN: ARTHUR JIN 07NOV2017
CHK: SEAN HAN 07NOV2017
APVD: SEAN HAN 07NOV2017

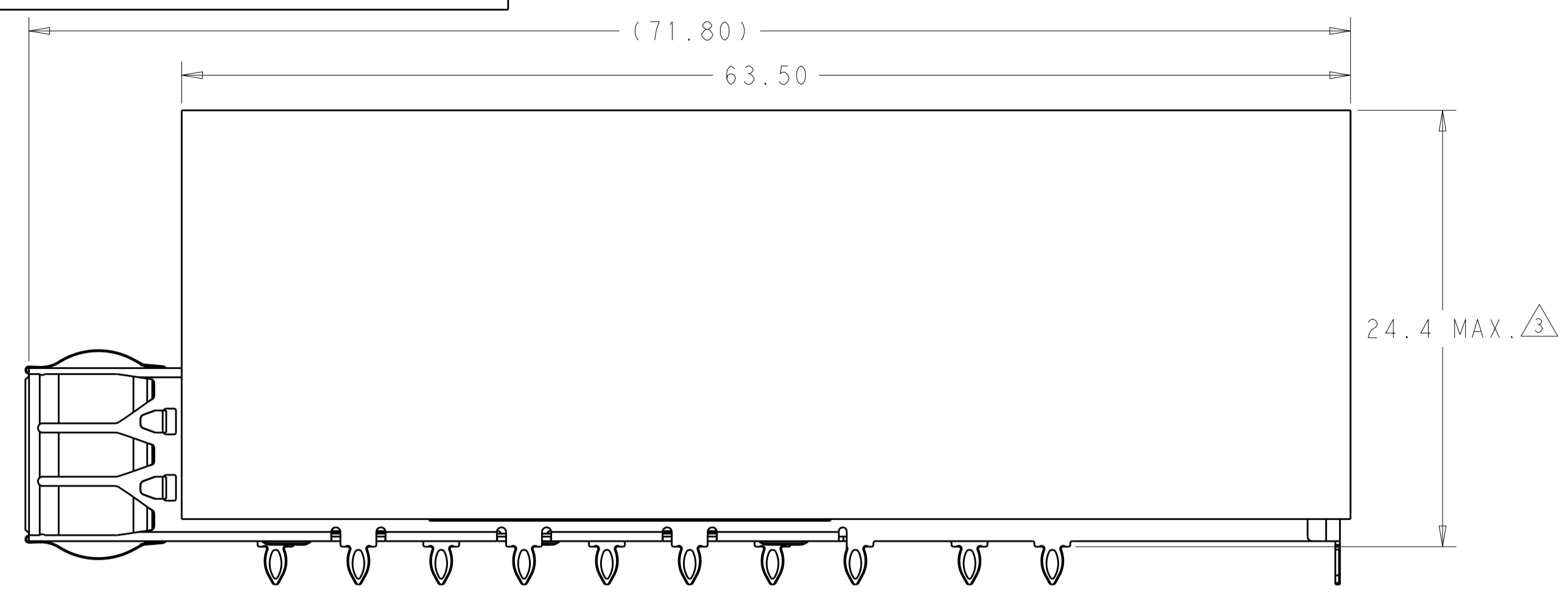
TE Connectivity

CAGE ASSEMBLY, QSFP-DD STANDARD WITH EMI SPRING FINGER

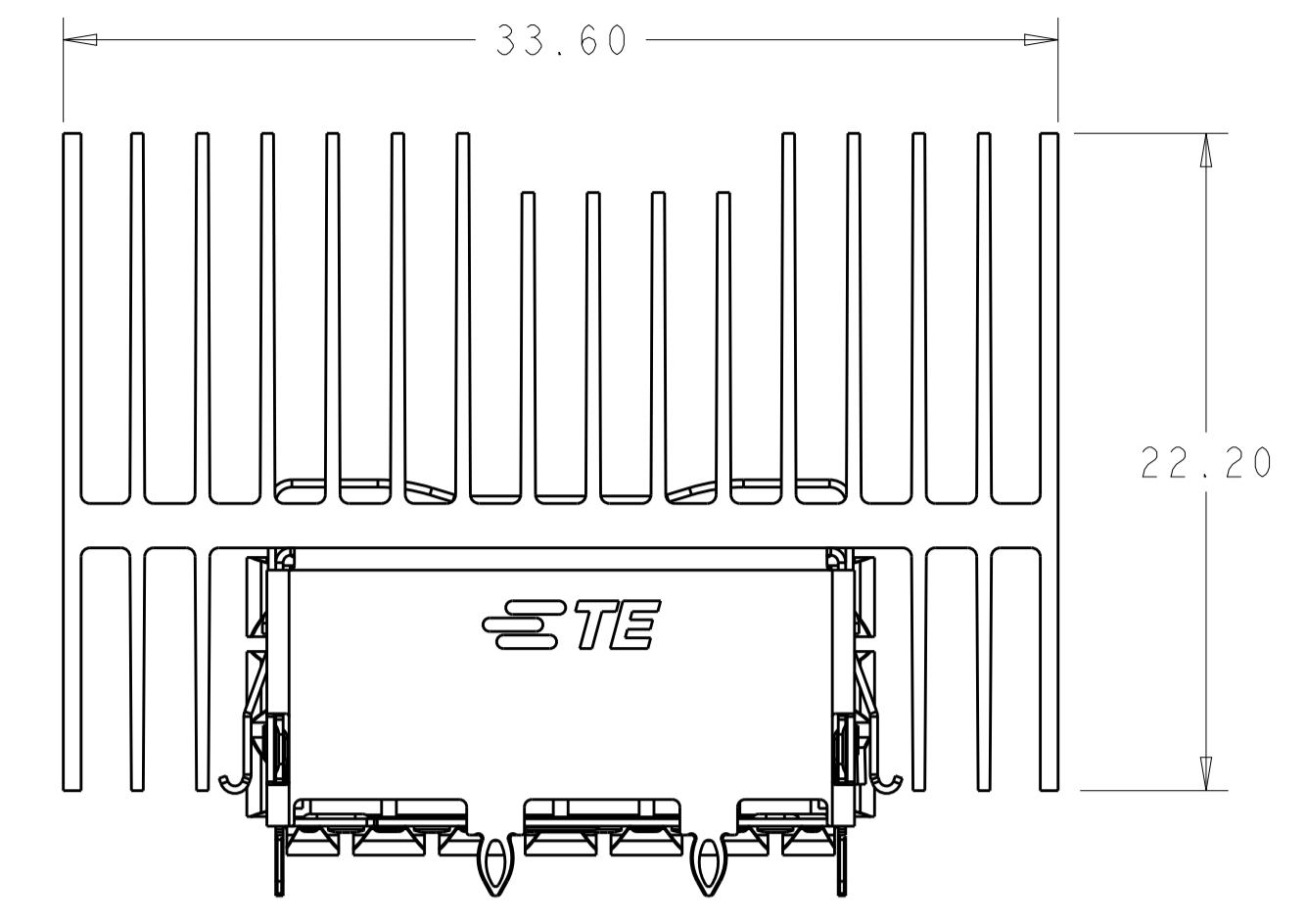
PRODUCT SPEC: 108-60122
APPLICATION SPEC: 114-60025

SIZE: A1
SCALE: 2:1
SHEET: 1 OF 8
REV: B

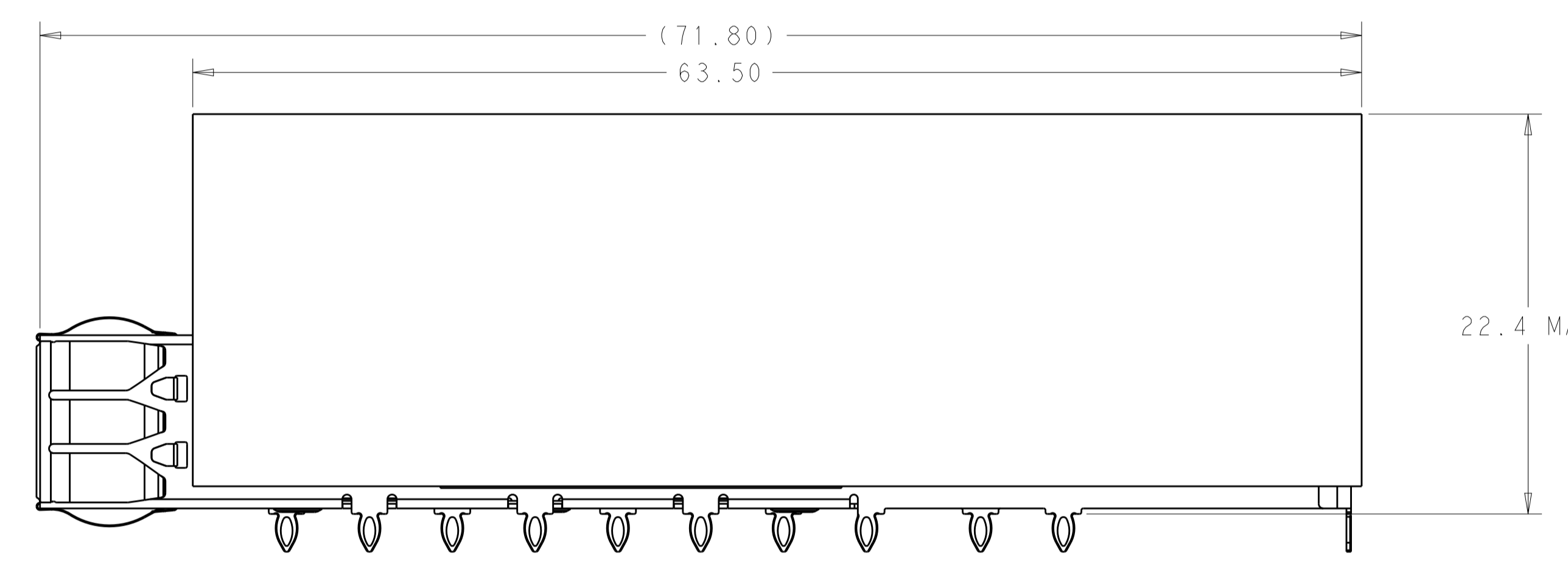
LOC		DIST		REVISIONS			
P	LTN	DESCRIPTION	DATE	DMN	APVD		
-	-	SEE SHEET 1	-	-	-		



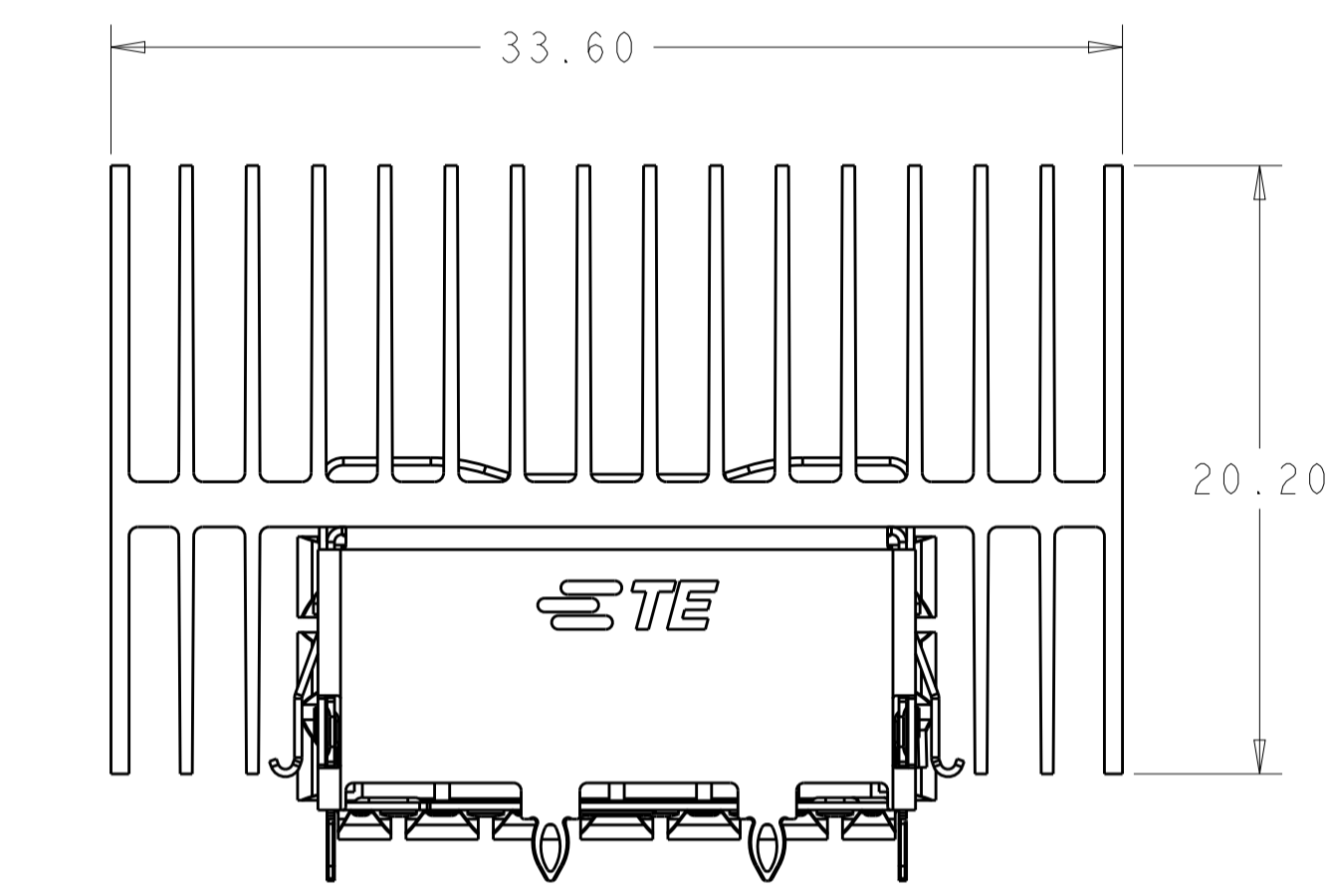
2327362-6 AS SHOWN



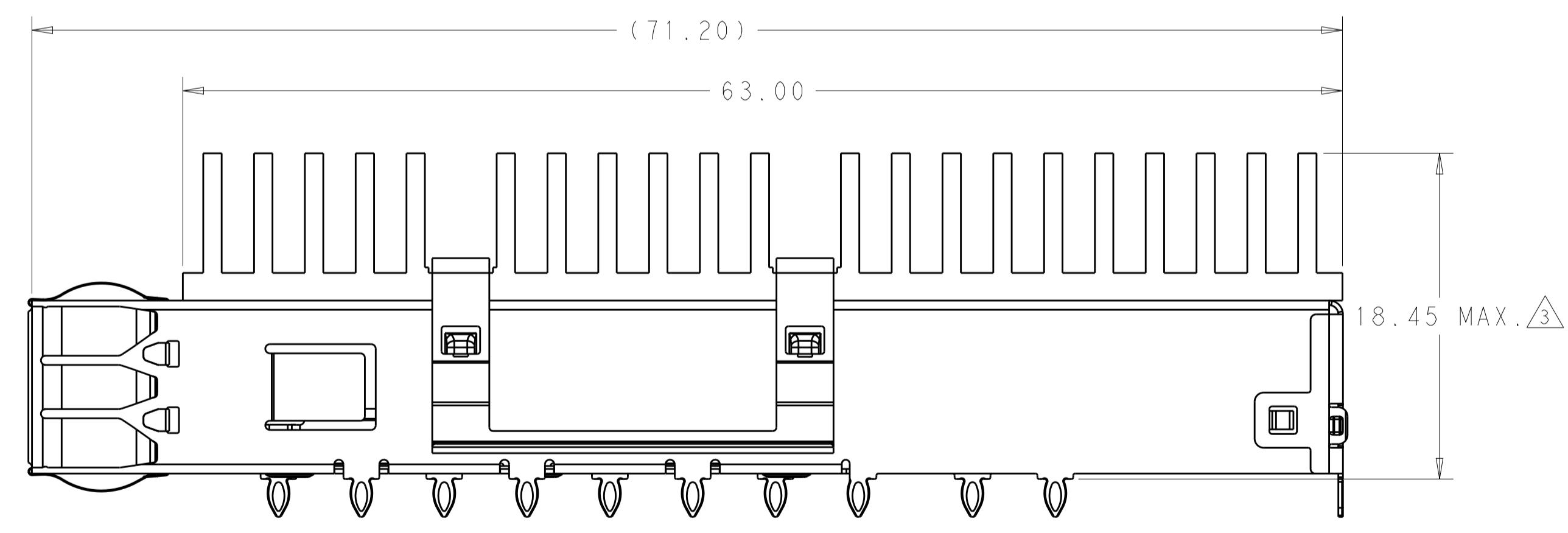
SCALE 4:1



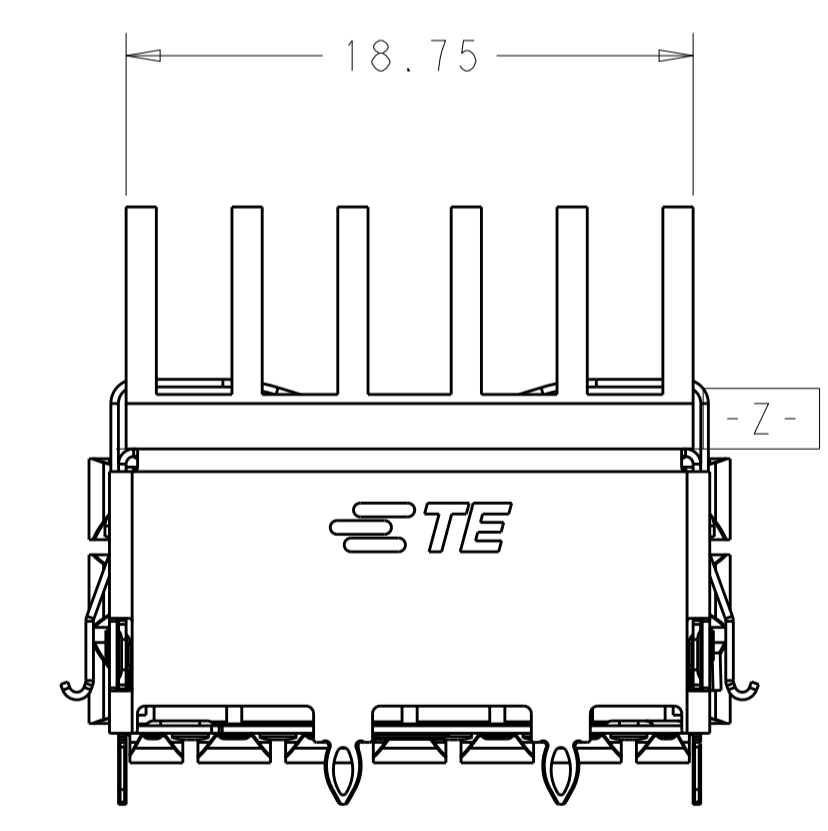
1-2327362-6 AS SHOWN



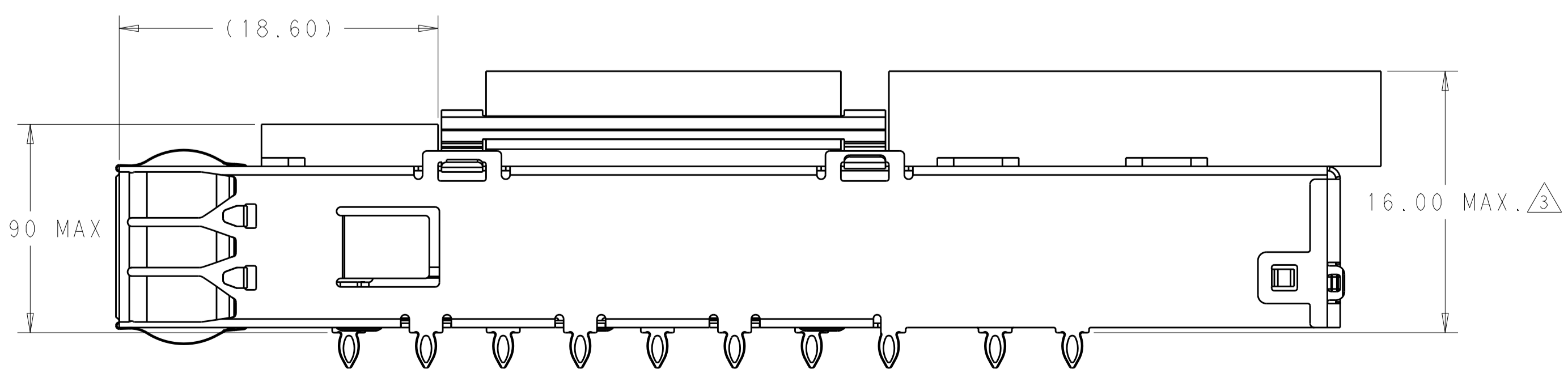
SCALE 4:1



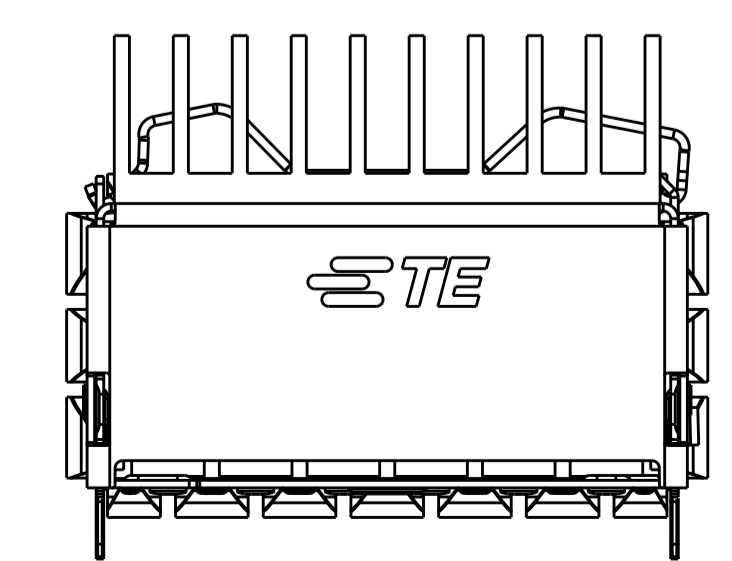
2327362-7 AS SHOWN
SCALE 4:1



-Z-

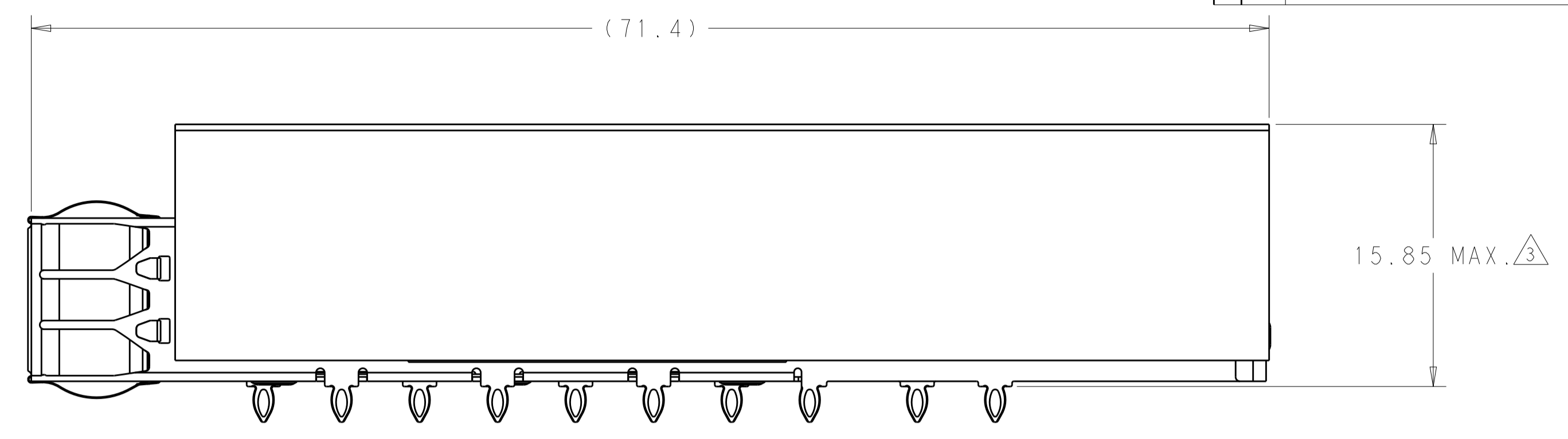
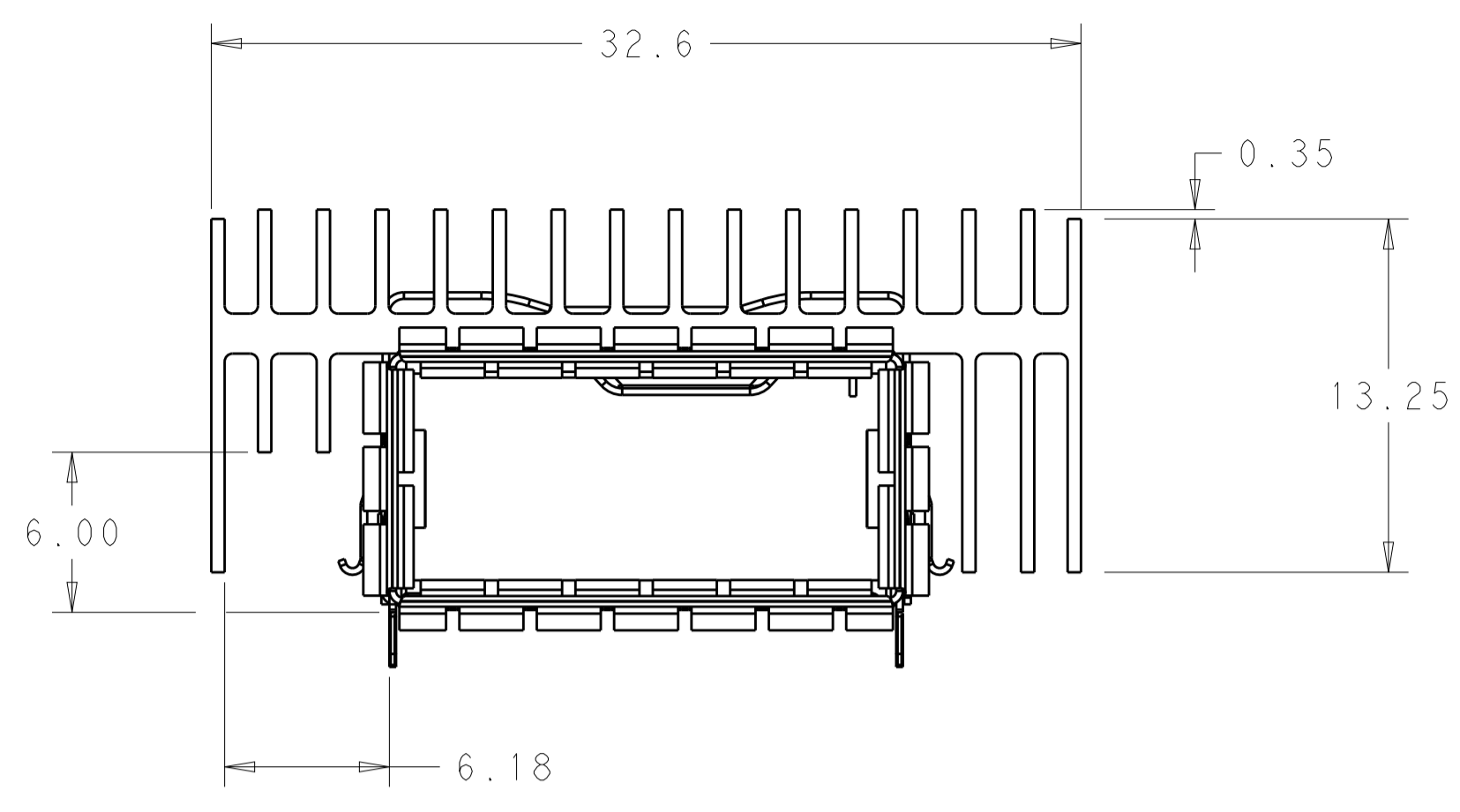


2327362-9 AS SHOWN
SCALE 4:1

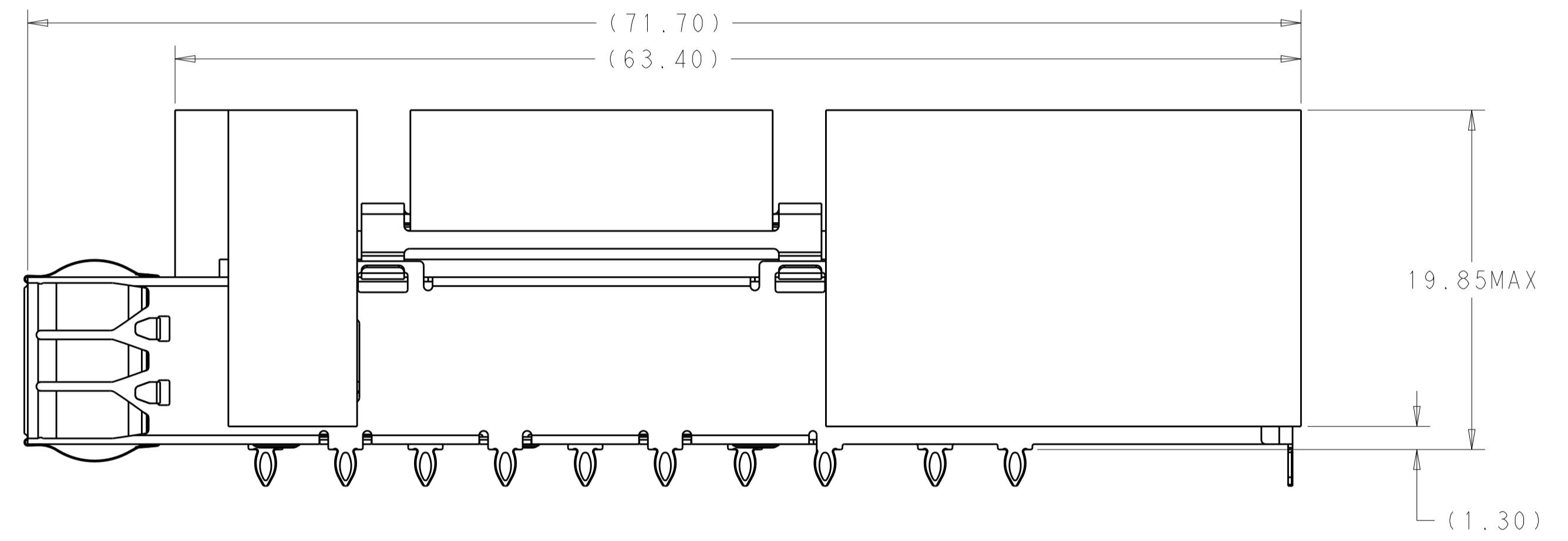
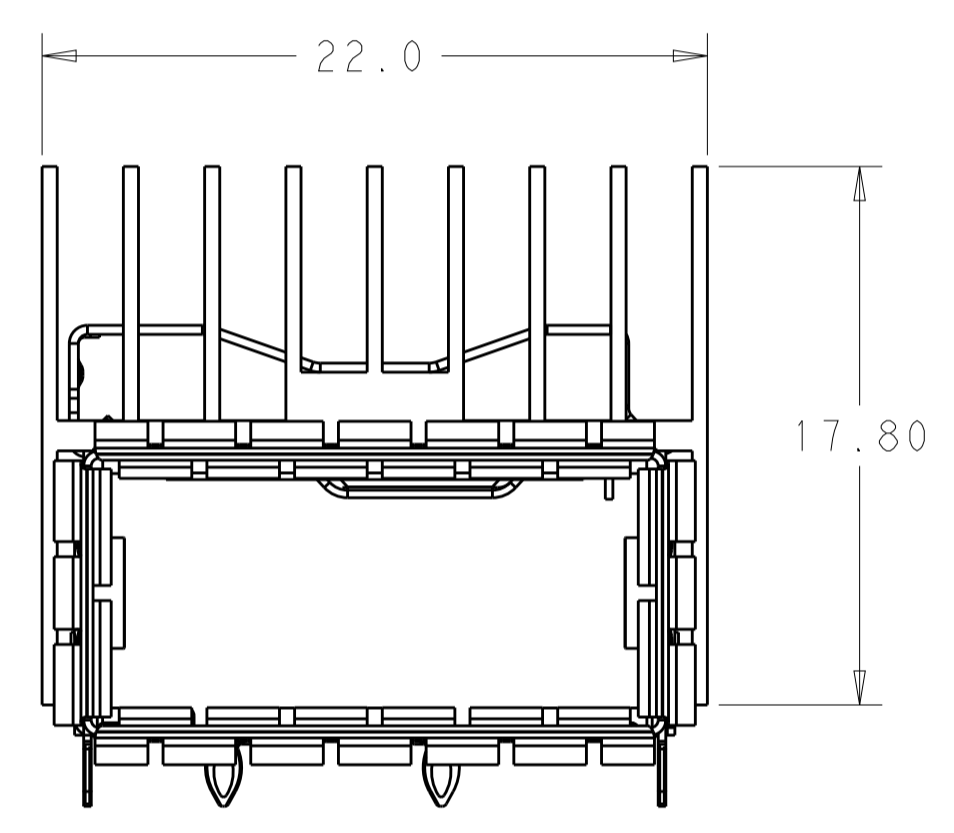


THIS DRAWING IS A CONTROLLED DOCUMENT.		DMN: ARTHUR JLN 07NOV2017	TE Connectivity
DIMENSIONS: mm		CHK: SEAN HAN 07NOV2017	
TOLERANCES UNLESS OTHERWISE SPECIFIED:		APVD: SEAN HAN 07NOV2017	NAME: CAGE ASSEMBLY, QSFP-DD STANDARD WITH EMI SPRING FINGER
0 PLC ±0.25 1 PLC ±0.25 2 PLC ±0.20 3 PLC ±0.10 4 PLC ± ANGLES ±°		PRODUCT SPEC: 108-60122 APPLICATION SPEC: 114-60025	
MATERIAL: -		FINISH: -	SIZE: A1 CAGE CODE: - DRAWING NO: C=2327362 RESTRICTED TO: -
CUSTOMER DRAWING		SCALE: 2:1	SHEET: 2 OF 8 REV: B

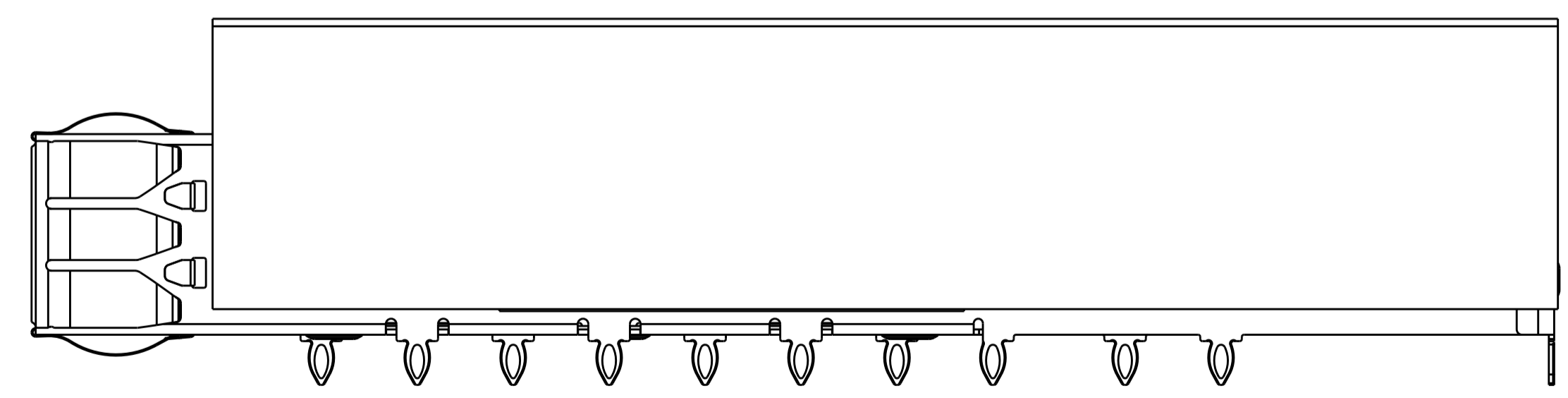
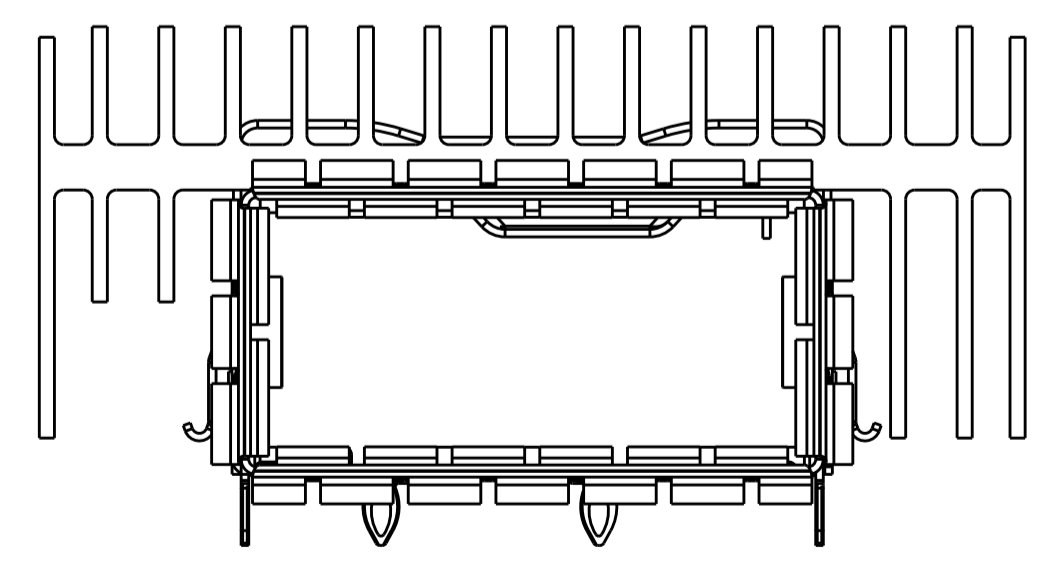
LOC		DIST		REVISIONS			
				REV	DATE	BY	APPV
-	-	-	-	1	SEE SHEET 1	-	-



1-2327362-0 AS SHOWN
SCALE 4:1



1-2327362-1 AS SHOWN
SCALE 4:1

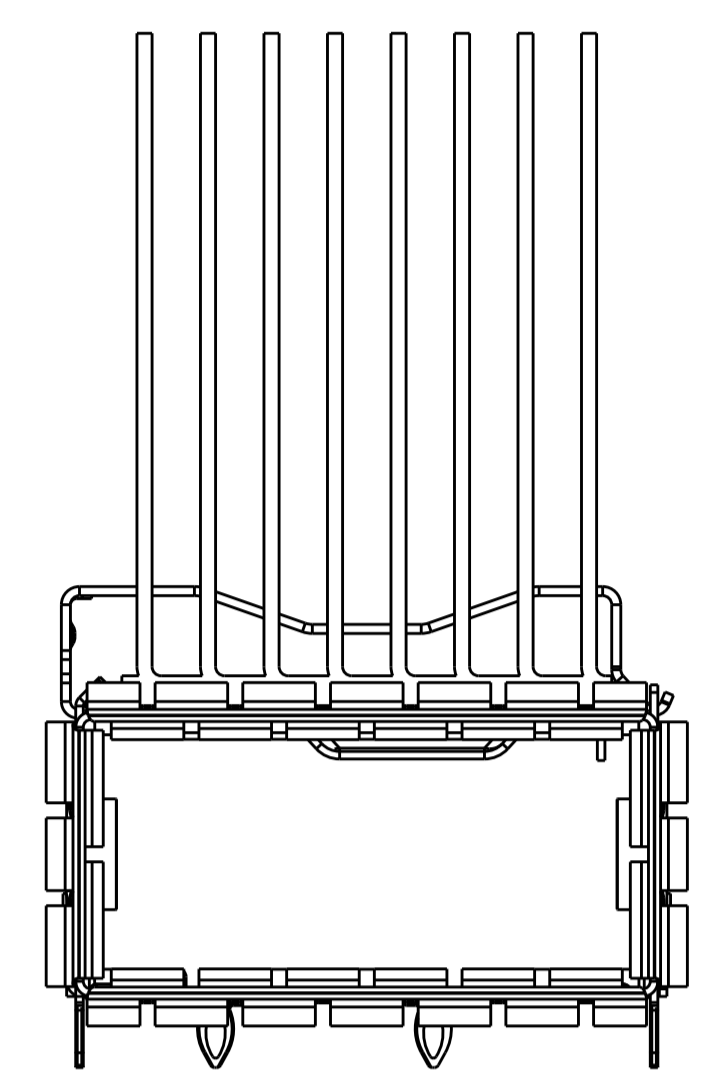


1-2327362-2 IS SAME AS 1-2327362-0
EXCEPT WITH 2 REAR PINS

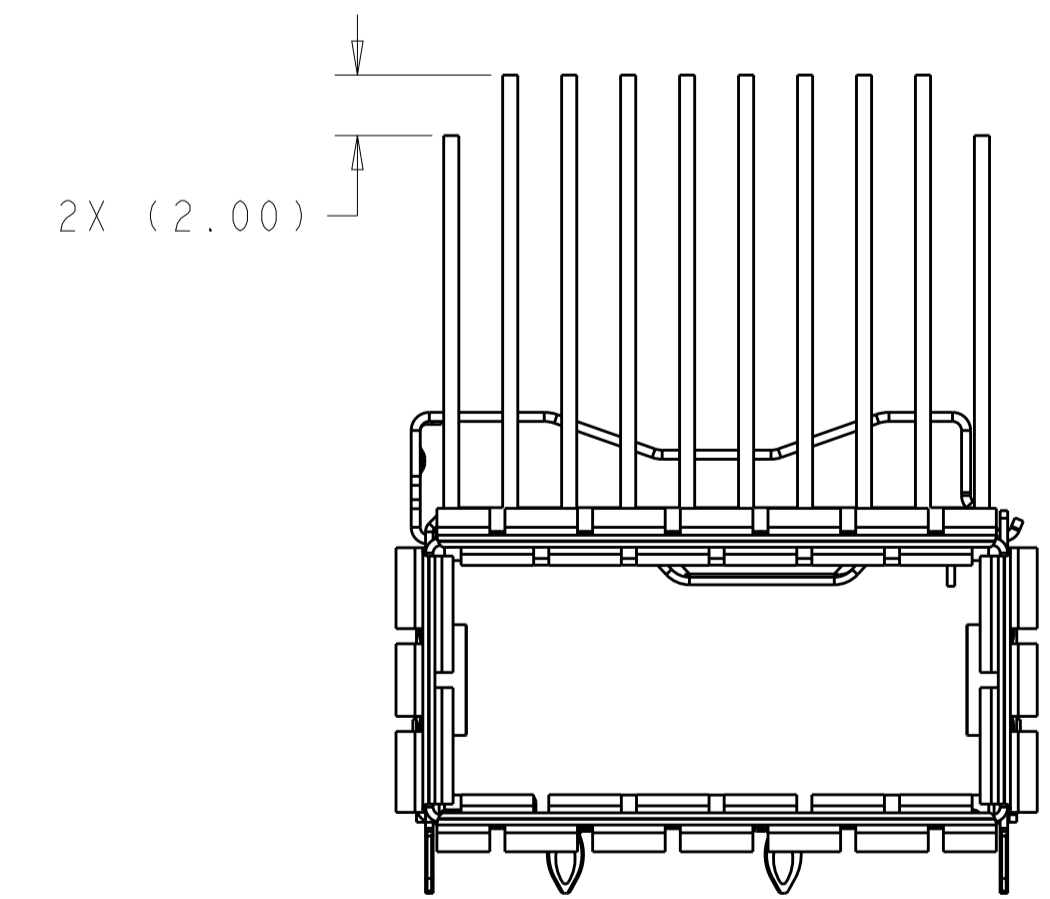
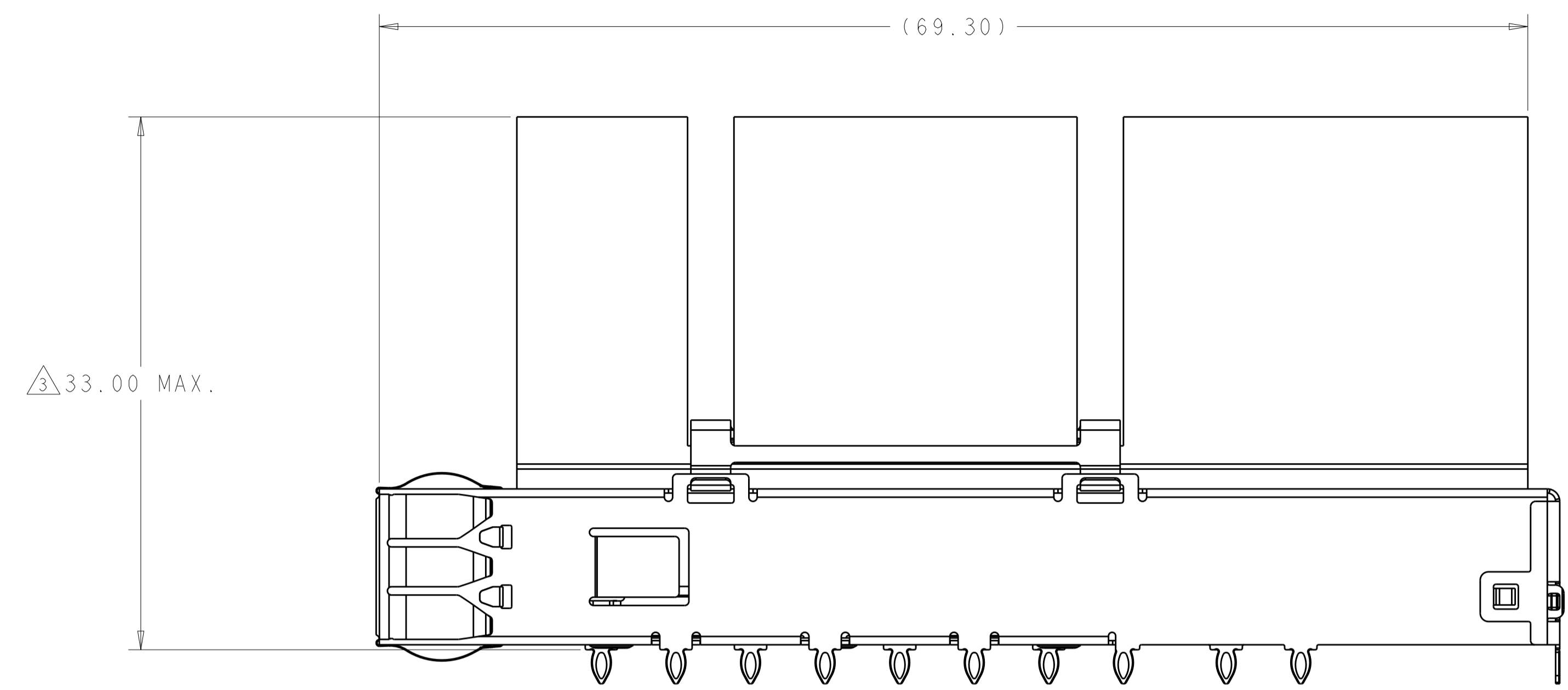
1-2327362-2 AS SHOWN
SCALE 4:1

THIS DRAWING IS A CONTROLLED DOCUMENT.		OWN: ARTHUR JLN 07NOV2017	TE Connectivity NAME: CAGE ASSEMBLY, QSFP-DD STANDARD WITH EMI SPRING FINGER
DIMENSIONS:		CHK: SEAN HAN 07NOV2017	
TOLERANCES UNLESS OTHERWISE SPECIFIED:		APPV: SEAN HAN 07NOV2017	
mm 0 PLC ±0.25 1 PLC ±0.25 2 PLC ±0.20 3 PLC ±0.10 4 PLC ± ANGLES ±°		PRODUCT SPEC: 108-60122 APPLICATION SPEC: 114-60025 WEIGHT: - FINISH: -	
MATERIAL: -		RESTRICTED TO: A1	SIZE: CAGE CODE DRAWING NO: C=2327362 SCALE: 2:1 SHEET 3 OF 8 REV B

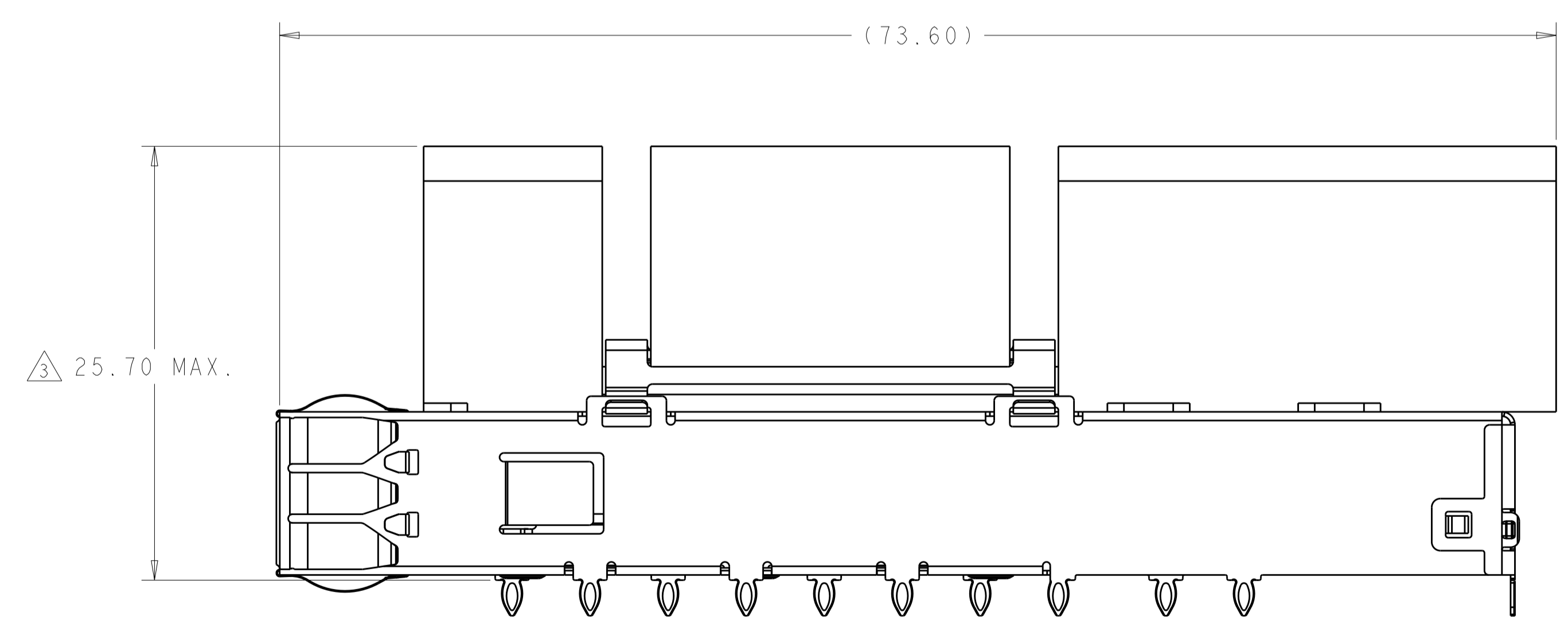
LOC		DIST		REVISIONS			
P	LTN	DESCRIPTION	DATE	DMN	APVD		
-	-	SEE SHEET 1	-	-	-		



1-2327362-3 AS SHOWN
SCALE 4:1

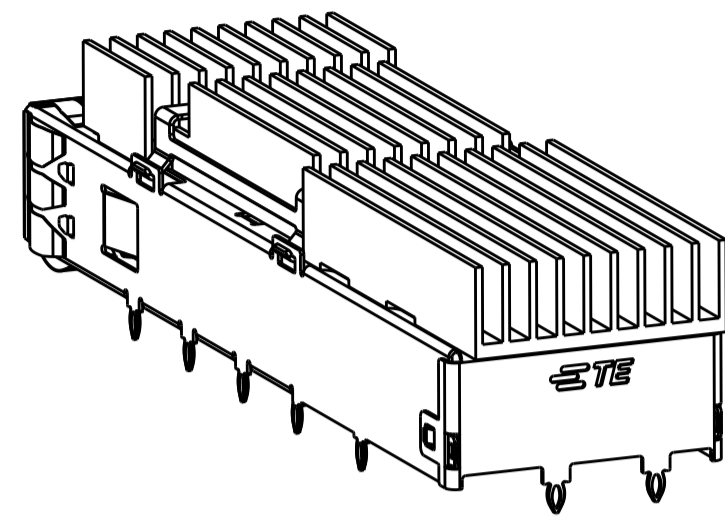


1-2327362-4 AS SHOWN
SCALE 4:1

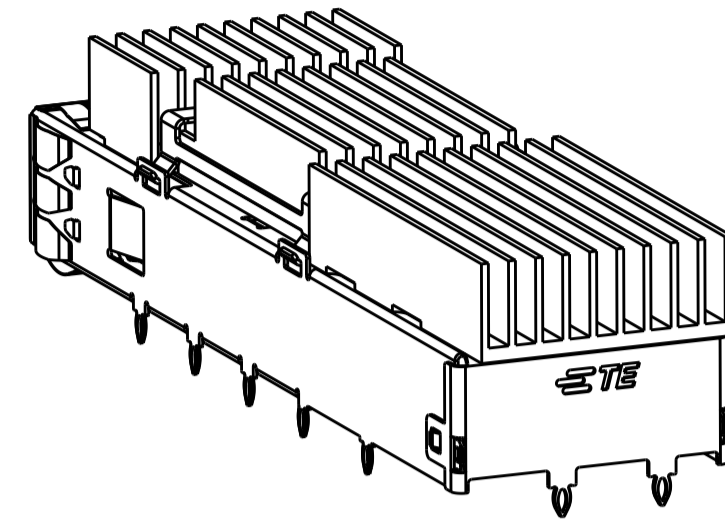


THIS DRAWING IS A CONTROLLED DOCUMENT.		DMN: ARTHUR_JLN 07NOV2017	TE Connectivity
DIMENSIONS: mm		CHK: SEAN_HAN 07NOV2017	
TOLERANCES UNLESS OTHERWISE SPECIFIED:		APVD: SEAN_HAN 07NOV2017	NAME: CAGE ASSEMBLY, QSFP-DD STANDARD WITH EMI SPRING FINGER
0 PLC ±0.25 1 PLC ±0.25 2 PLC ±0.25 3 PLC ±0.10 4 PLC ± ANGLES ±°		PRODUCT SPEC: 108-60122 APPLICATION SPEC: 114-60025	
MATERIAL: -		FINISH: -	SIZE: A1 CAGE CODE: C=2327362 DRAWING NO: - RESTRICTED TO: -
CUSTOMER DRAWING		SCALE: 2:1	SHEET: 4 OF 8 REV: B

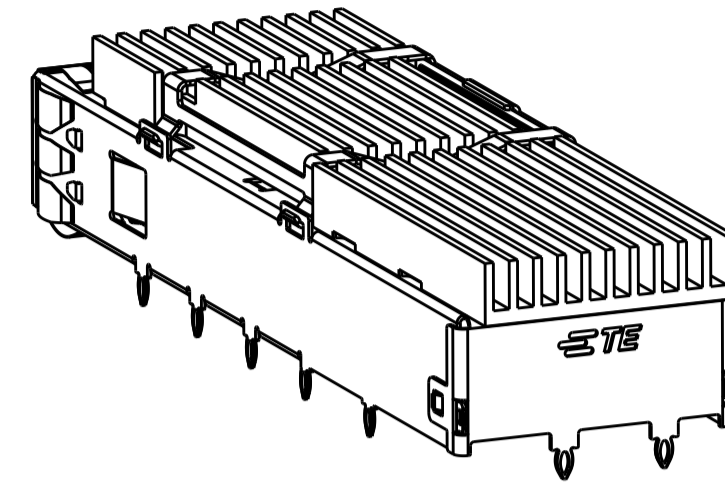
REVISONS		DATE	OWN	APVD
LOC	DIST	DESCRIPTION		
-	-	SEE SHEET 1	-	-



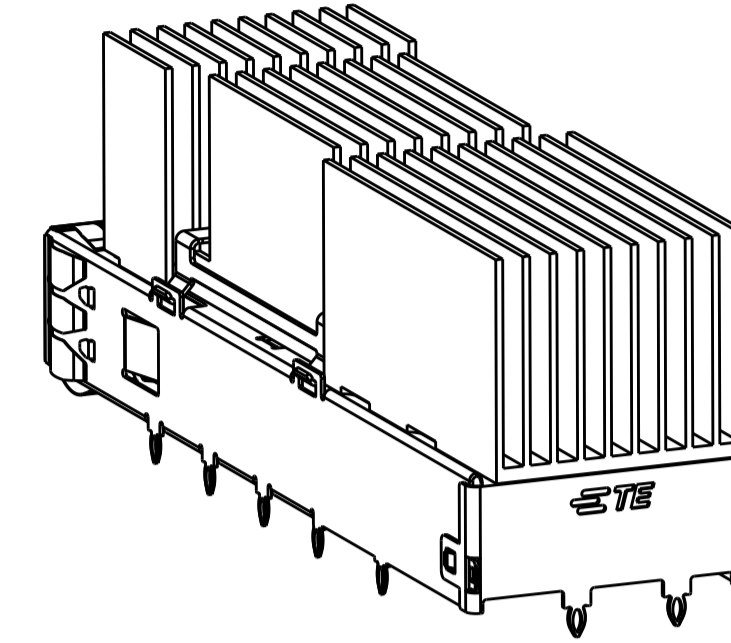
2327362-1 AS SHOWN
SCALE 2:1



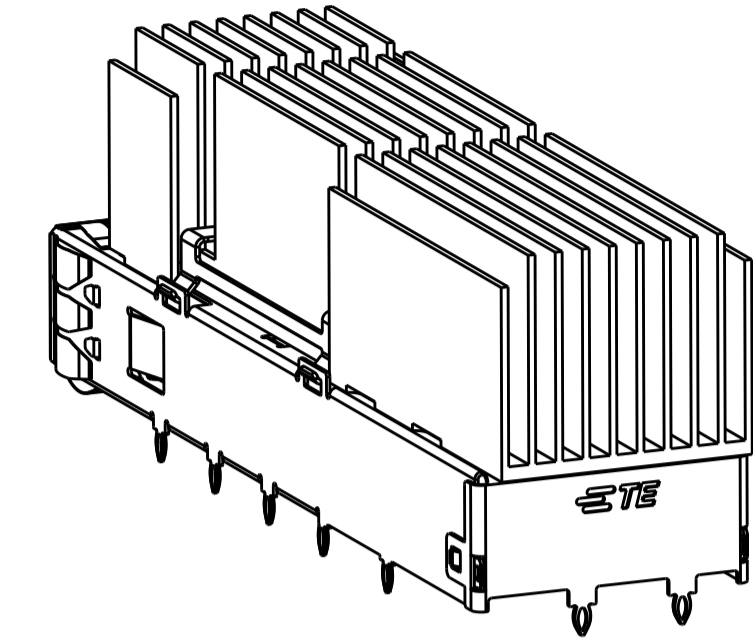
2327362-2 AS SHOWN
SCALE 2:1



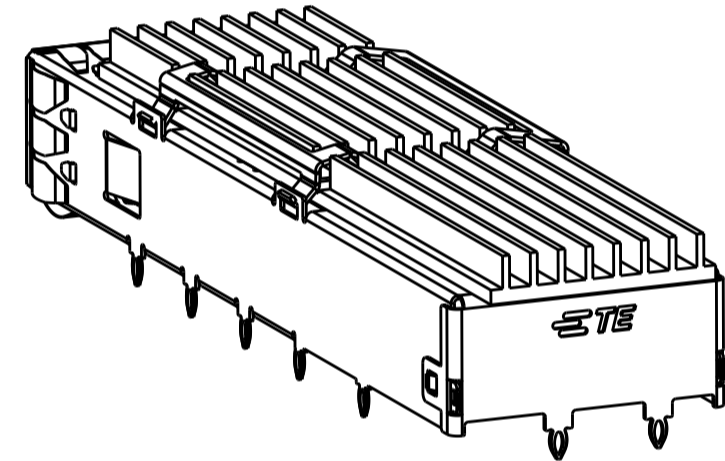
2327362-3 AS SHOWN
SCALE 2:1



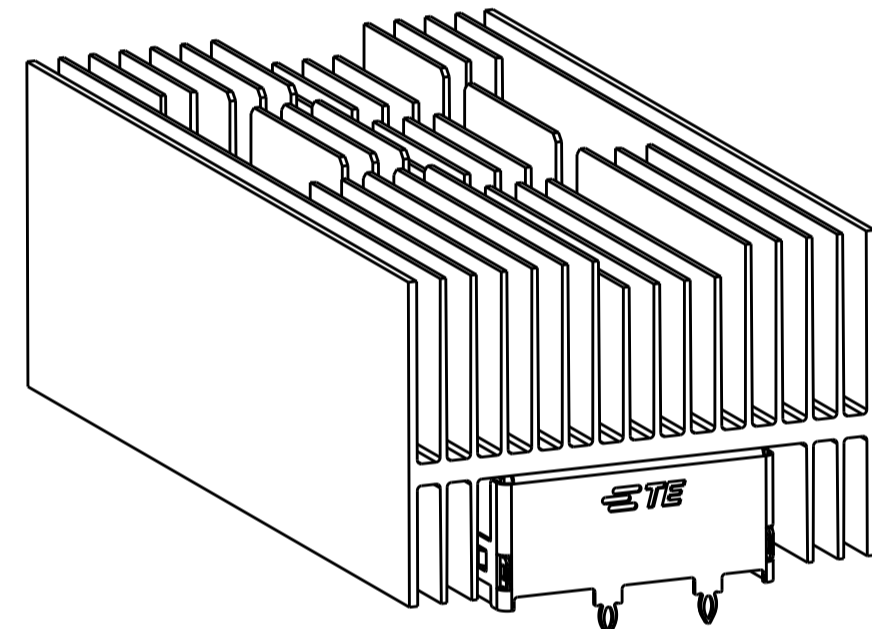
2327362-4 AS SHOWN
SCALE 2:1



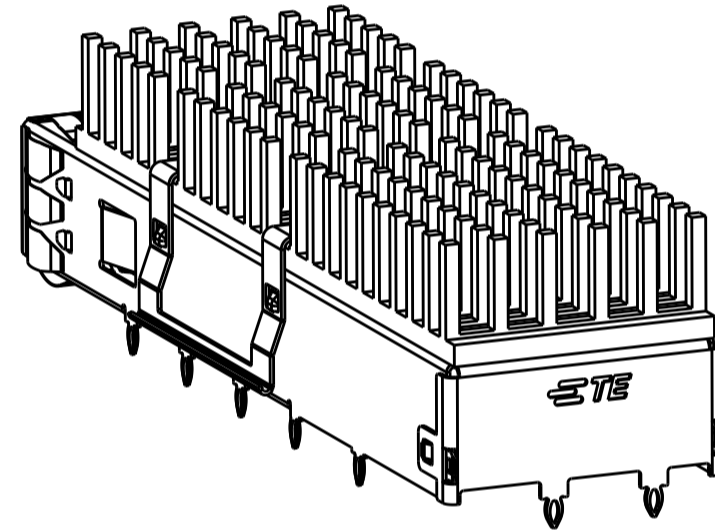
1-2327362-4 AS SHOWN
SCALE 2:1



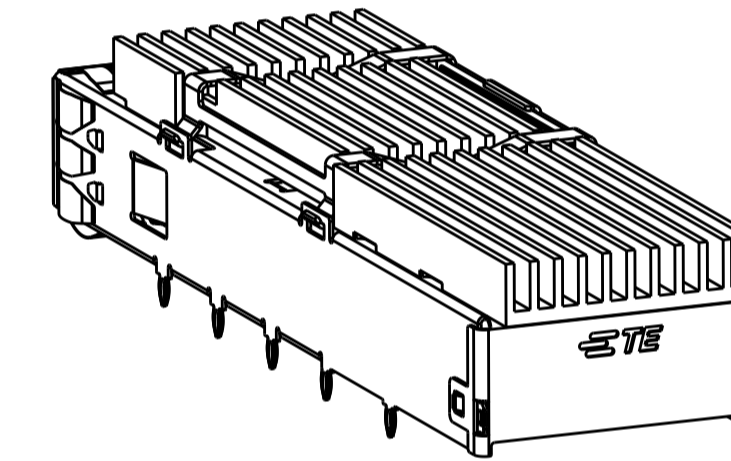
2327362-5 AS SHOWN
SCALE 2:1



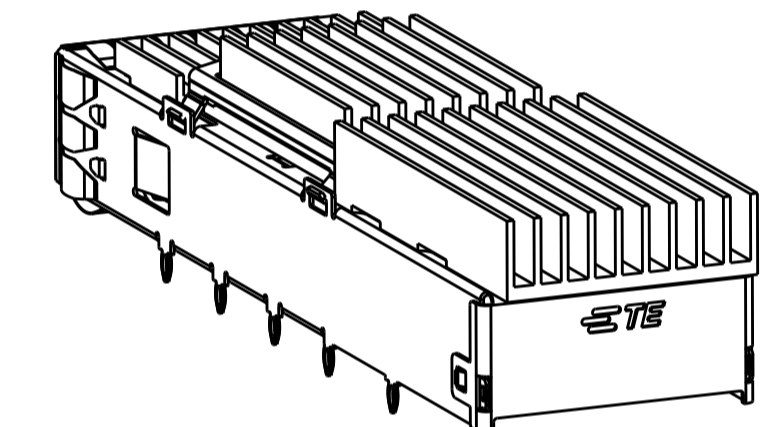
2327362-6 AS SHOWN
SCALE 2:1



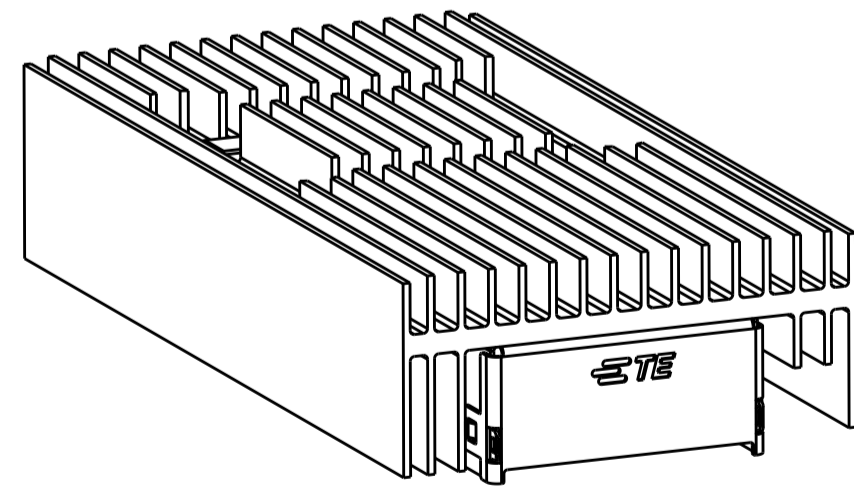
2327362-7 AS SHOWN
SCALE 2:1



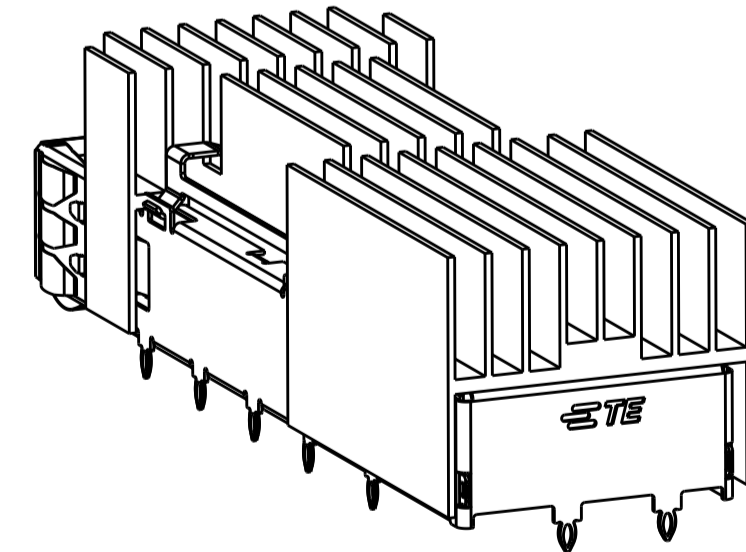
2327362-8 AS SHOWN
SAME AS -3 EXCEPT W/O REAR PINS
SCALE 2:1



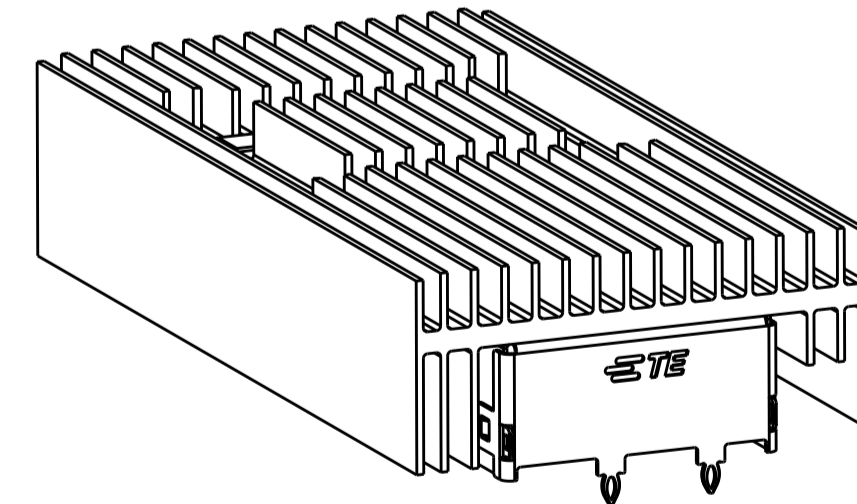
2327362-9 AS SHOWN
SCALE 2:1



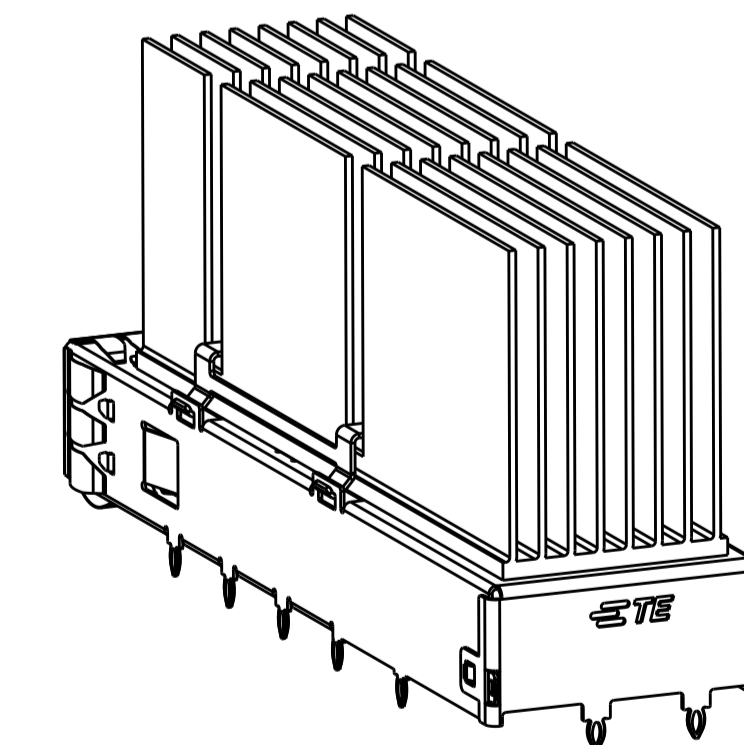
1-2327362-0 AS SHOWN
SCALE 2:1



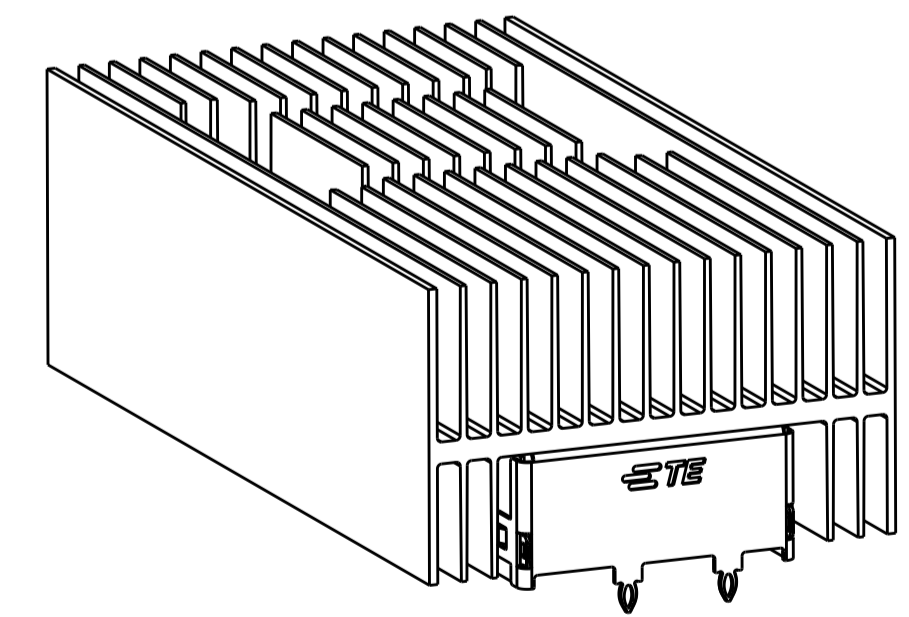
1-2327362-1
SCALE 2:1



1-2327362-2 AS SHOWN
SCALE 2:1



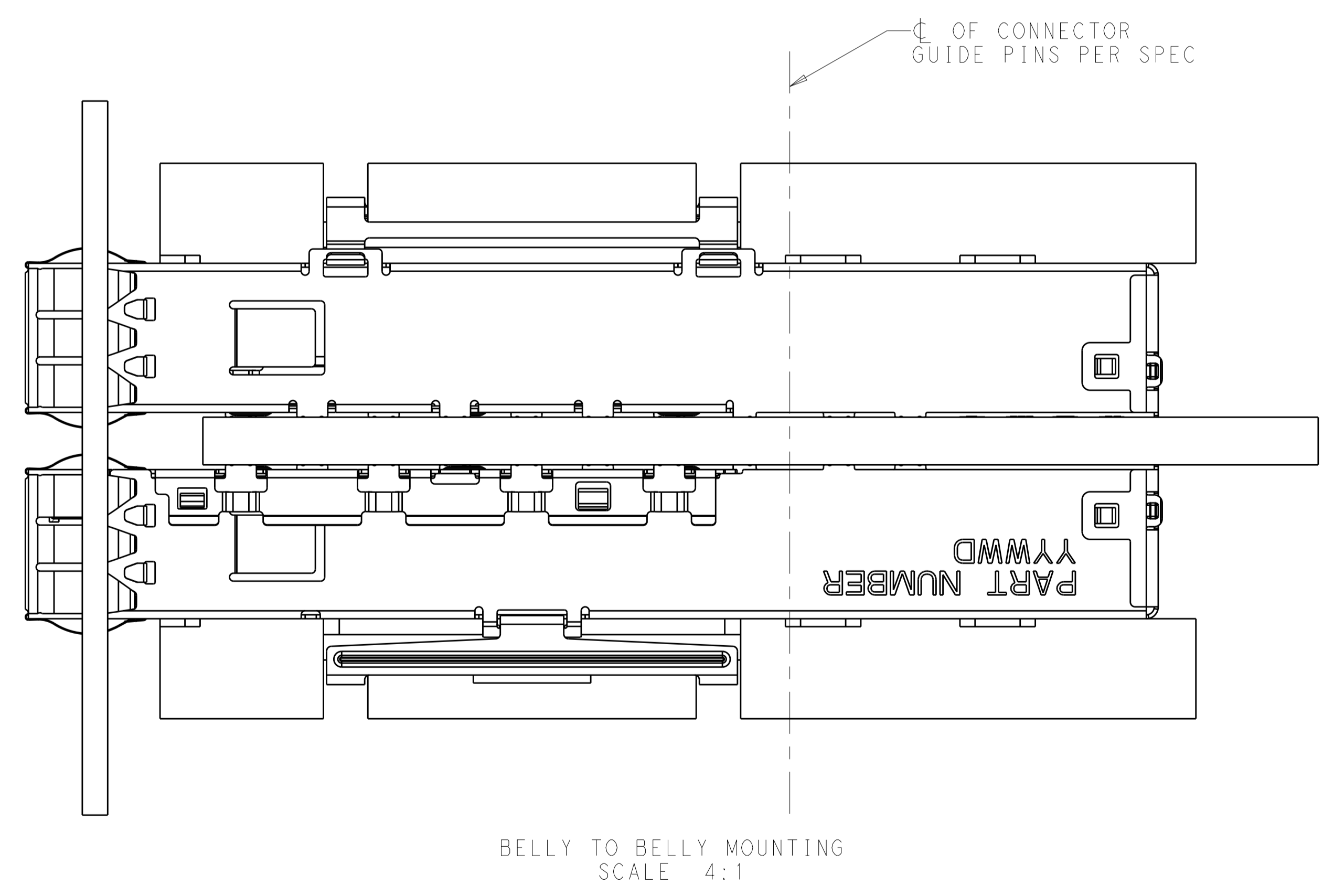
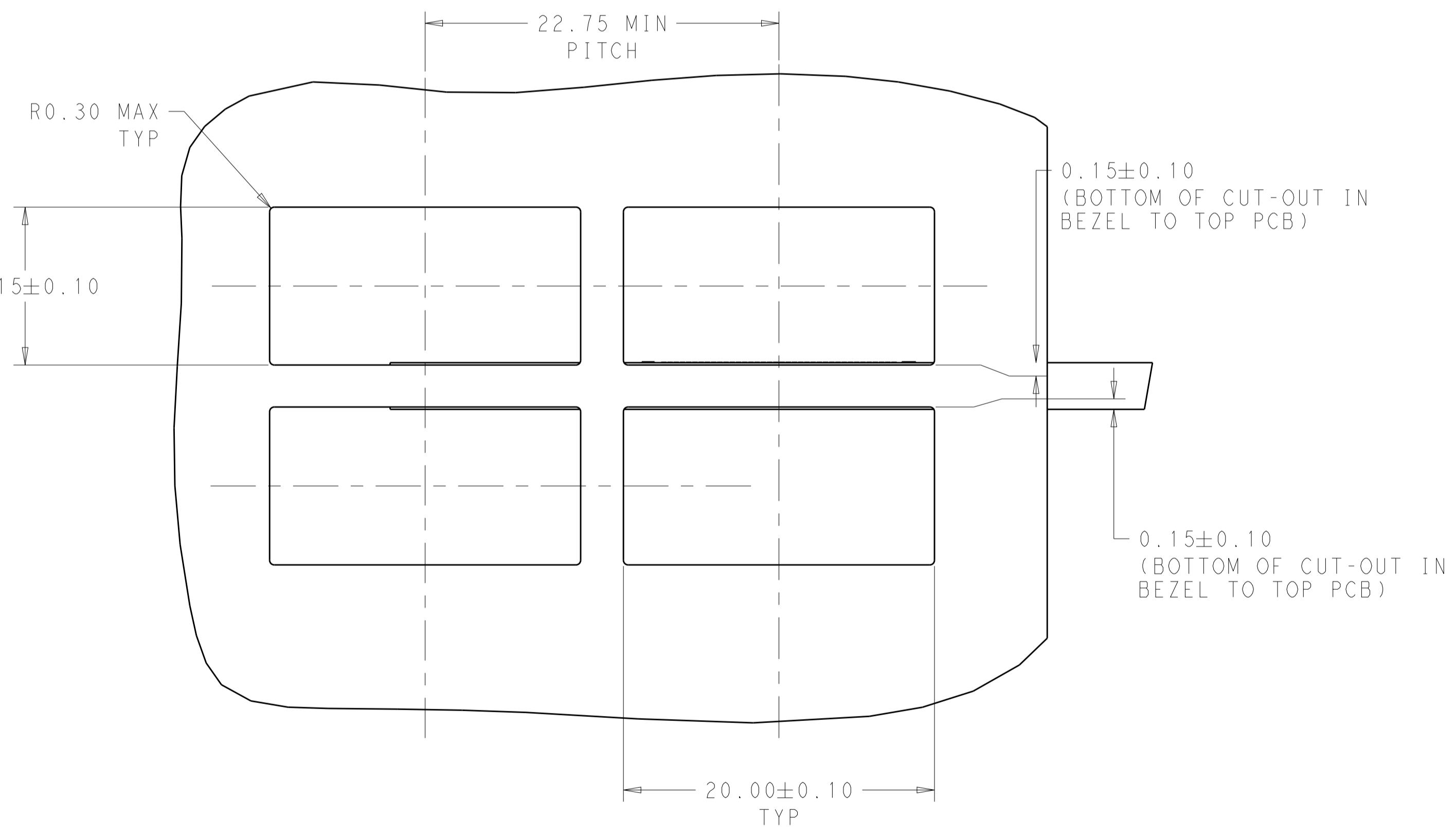
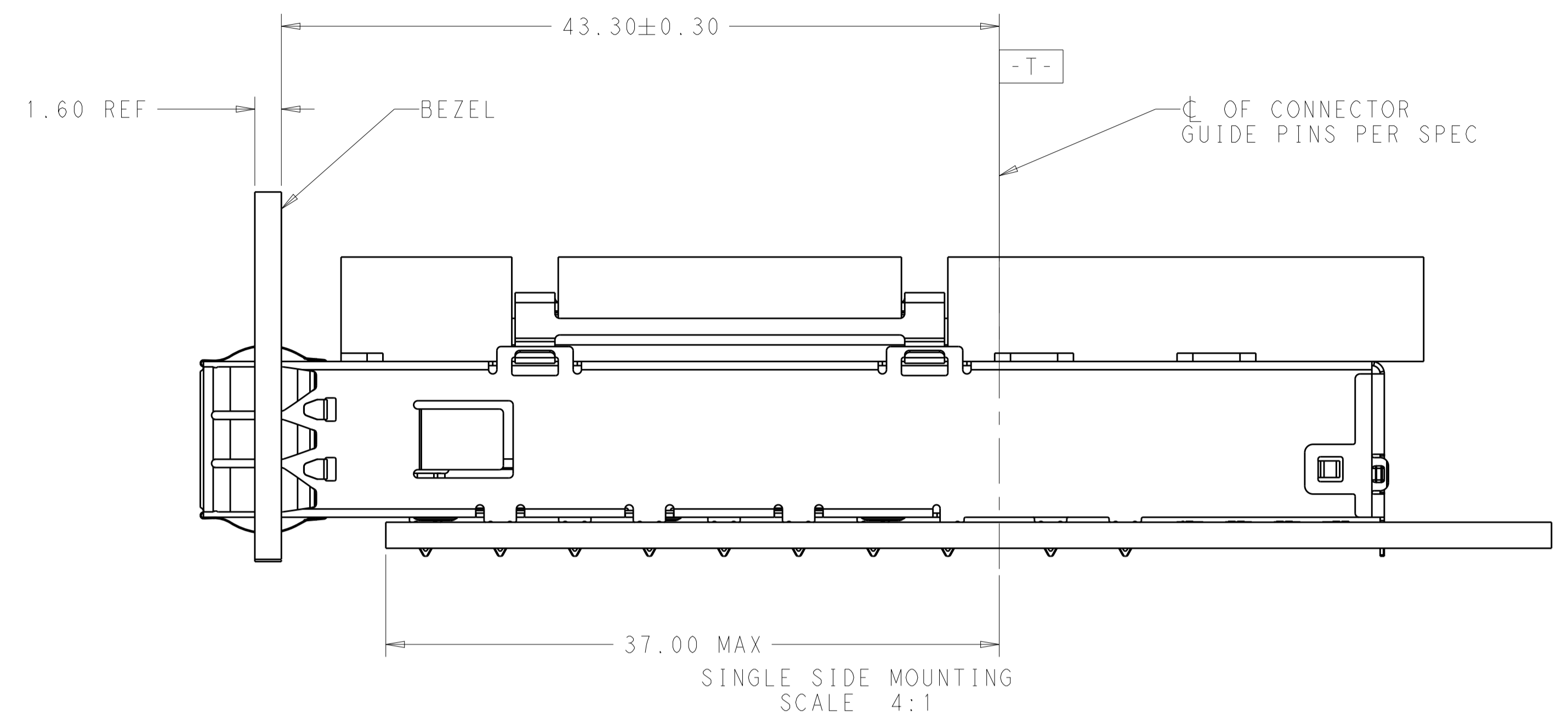
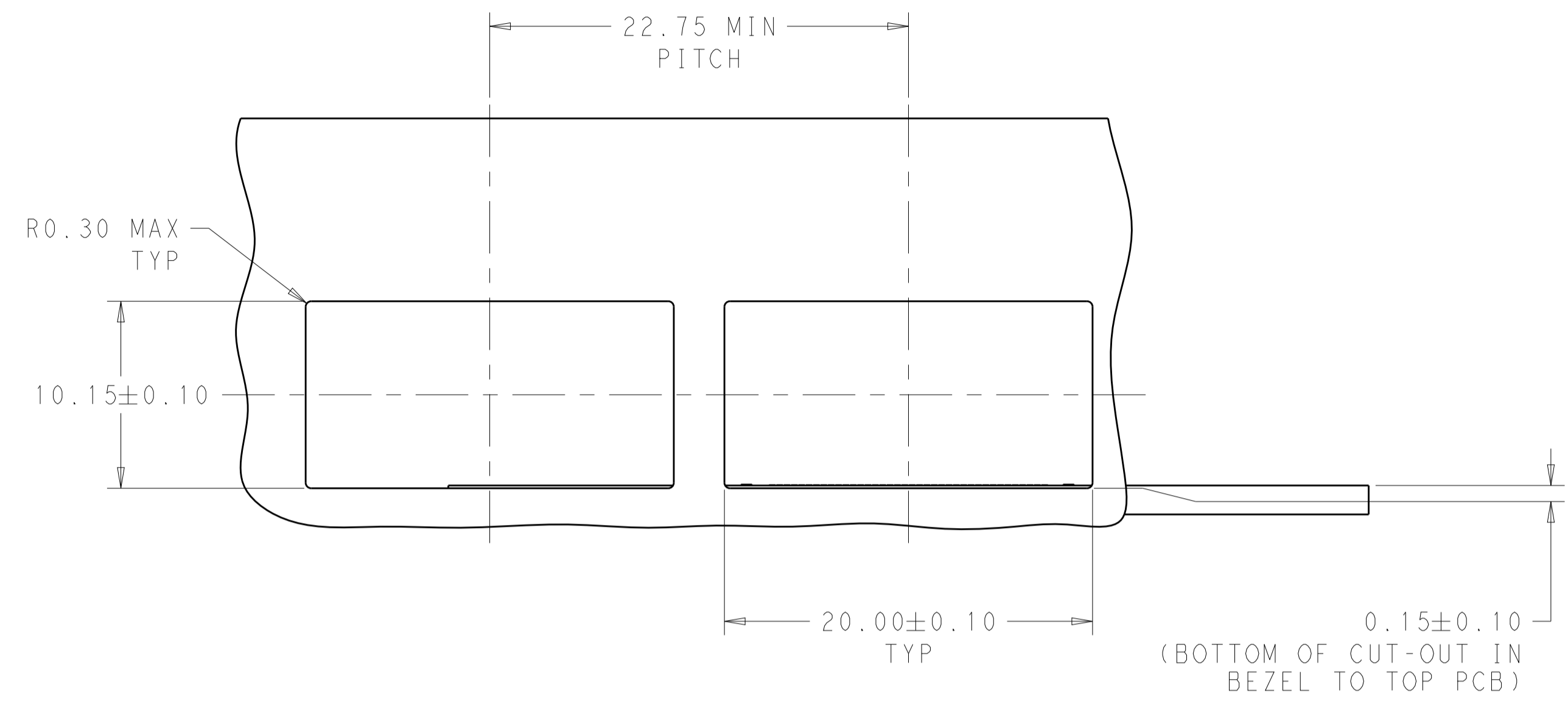
1-2327362-3 AS SHOWN
SCALE 2:1



1-2327362-6
SCALE 2:1

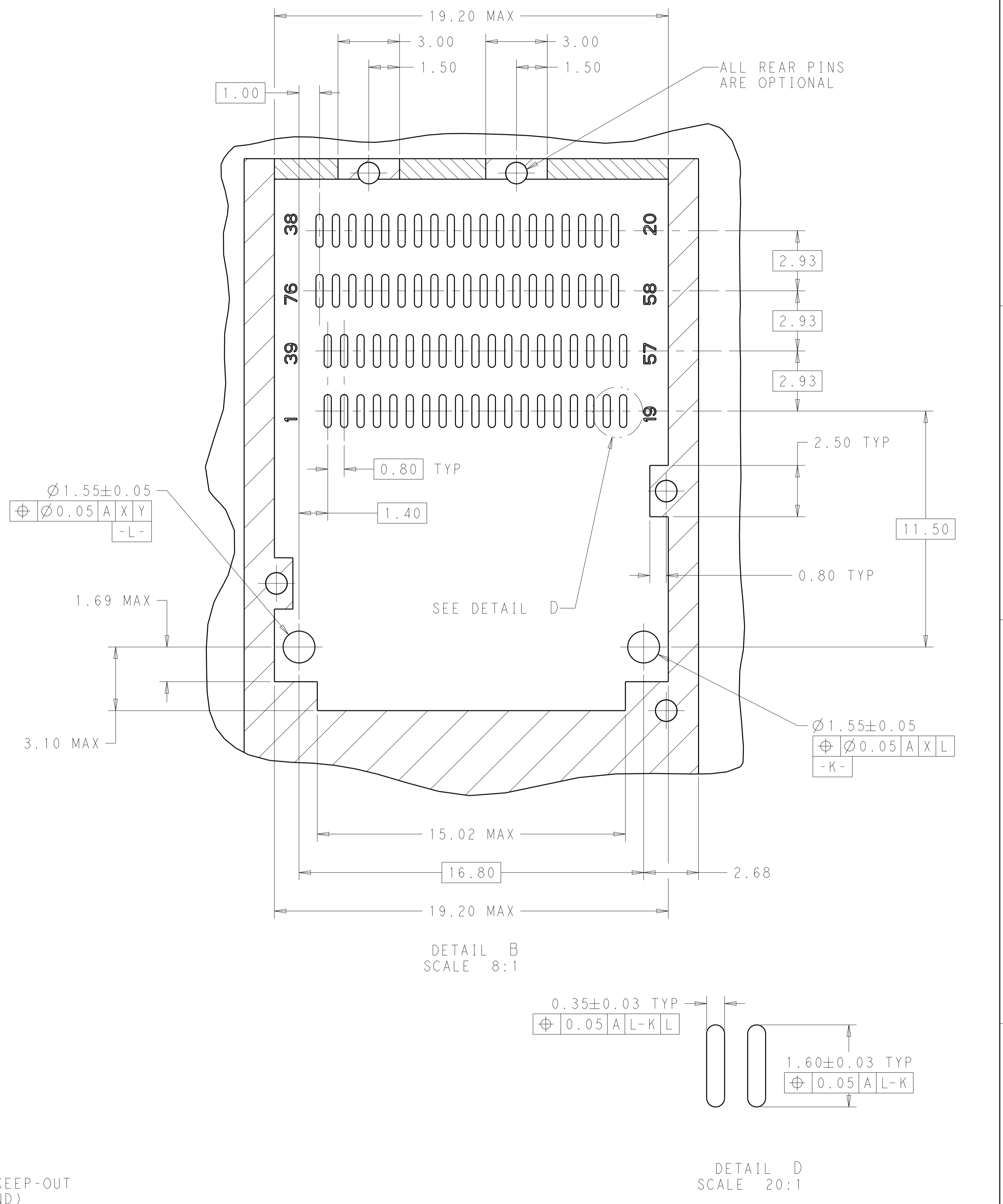
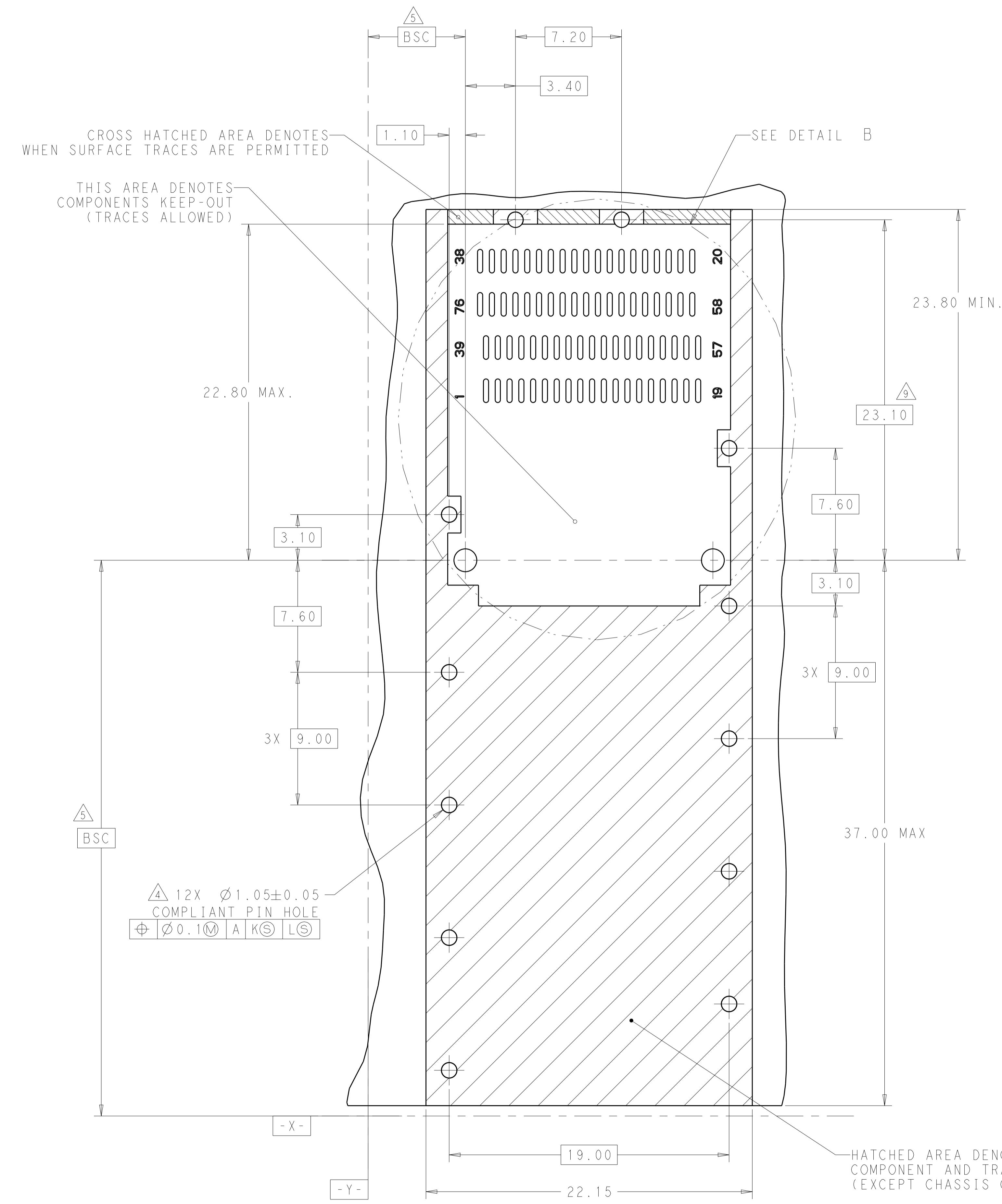
THIS DRAWING IS A CONTROLLED DOCUMENT.		OWN: ARTHUR JIN 07NOV2017	TE Connectivity
DIMENSIONS: mm		CHK: SEAN HAN 07NOV2017	
TOLERANCES UNLESS OTHERWISE SPECIFIED:		APVD: SEAN HAN 07NOV2017	CAGE ASSEMBLY, QSFP-DD STANDARD WITH EMI SPRING FINGER
0 PLC ±0.25 1 PLC ±0.25 2 PLC ±0.25 3 PLC ±0.10 4 PLC ±0.10 ANGLES ±°		NAME: 108-60122 PRODUCT SPEC: APPLICATION SPEC SIZE: 114-60025 WEIGHT:	
MATERIAL: FINISH:		RESTRICTED TO: A1	SCALE: 2:1 SHEET 5 OF 8 REV B
		CUSTOMER DRAWING	

LOC		DIST		REVISIONS			
				DESCRIPTION	DATE	DWN	APVD
-	-	-	-	SEE SHEET 1	-	-	-



THIS DRAWING IS A CONTROLLED DOCUMENT.		DWN: ARTHUR JLN 07NOV2017	TE Connectivity
DIMENSIONS: mm		CHK: SEAN HAN 07NOV2017	
TOLERANCES UNLESS OTHERWISE SPECIFIED:		APVD: SEAN HAN 07NOV2017	NAME: CAGE ASSEMBLY, QSFP-DD STANDARD WITH EMI SPRING FINGER
0 PLC ±0.25	1 PLC ±0.25	PRODUCT SPEC: 108-60122	SIZE: A1
2 PLC ±0.20	3 PLC ±0.10	APPLICATION SPEC: 114-60025	CAGE CODE: 2327362
4 PLC ±	ANGLES ±	WEIGHT: -	RESTRICTED TO: -
MATERIAL: -	FINISH: -	CUSTOMER DRAWING	SCALE: 2:1 SHEET 6 OF 8 REV B

LOC	DIST	REV	DATE	BY	APPV
-	-	1	-	-	-
REVISIONS			DATE	BY	APPV
DESCRIPTION					
SEE SHEET 1					



RECOMMENDED PCB LAYOUT
 SINGLE TYPE OF 2 REAR HOLES OF LEGS
 PCB TOLERANCE: ±0.05
 SCALE 6:1

DETAIL B
 SCALE 8:1

DETAIL D
 SCALE 20:1

THIS DRAWING IS A CONTROLLED DOCUMENT.		DWN: ARTHUR JLN 07NOV2017		TE Connectivity	
DIMENSIONS: mm		CHK: SEAN HAN 07NOV2017			
TOLERANCES UNLESS OTHERWISE SPECIFIED:		APPV: SEAN HAN 07NOV2017		NAME: CAGE ASSEMBLY, QSFP-DD STANDARD WITH EMI SPRING FINGER	
0 PLC ±0.25		PRODUCT SPEC: 108-60122		SIZE: A1	
1 PLC ±0.25		APPLICATION SPEC: 114-60025		SCALE: 2:1	
2 PLC ±0.20		WEIGHT: -		SHEET 7 OF 8	
3 PLC ±0.10		CUSTOMER DRAWING		REV B	
4 PLC ±0.10		SCALE: 2:1		REV B	
ANGLES: ±°		SCALE: 2:1		REV B	
FINISH: -		SCALE: 2:1		REV B	