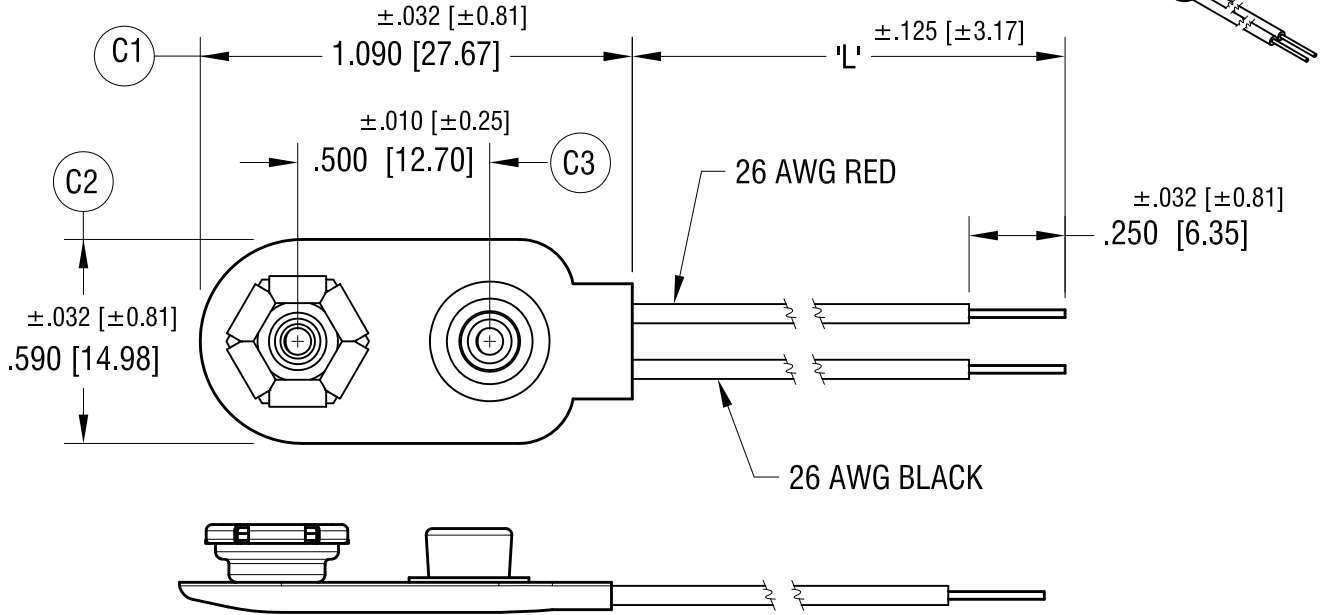


THIS DOCUMENT IS THE PROPERTY OF KEYSTONE ELECTRONICS CORP. AND SHALL NOT BE REPRODUCED, DISTRIBUTED OR USED AS A BASIS FOR MANUFACTURE WITHOUT PRIOR WRITTEN PERMISSION FROM KEYSTONE ELECTRONICS CORP.

**ACTUAL SIZE**



**NOTE:**

1. WIRE: 26 AWG, 1007 UL/CSA APPROVED
2. CONTACTS: BRASS, NICKEL PLATE
3. INSULATION : VINYL .012 [0.30] MINIMUM THICKNESS
4. RED WIRE CONNECTED TO FEMALE CONTACT;  
BLACK WIRE CONNECTED TO MALE CONTACT.

PART NO.	'L' DIM.
232	4.000 [101.60]
233	6.000 [152.40]
234	8.000 [203.20]

8.11.21	(C3) WAS .500±.005 (C2) AWS .531±.015 ECN 21-082 (C1) WAS 1.125±.032	B
2.09.21	INSULATION WAS PVC CHANGE AS PER ECN 21-017	A
DATE	DESCRIPTION	REV.

**KEYSTONE ELECTRONICS CORP.**  
www.keyelco.com • NEW HYDE PARK, NY 11040 • Tel (516) 328-7500

PART NAME  
**ECONOMY '9' VOLT BATTERY STRAP**

MATERIAL  
**AS NOTED**

FINISH <b>AS NOTED</b>	DRN BY	BOONE	DATE	4.25.95
	APP'D		SCALE	2X

TOLERANCES	INCH	[MM]	CODE	DWG NO.
DECIMAL	± .015	[± 0.38 ]	C	<b>232-234</b>
ANGULAR	± 1°			

UNLESS OTHERWISE SPECIFIED