



HDMI 2.0 CONNECTORS

MIL-DTL-38999 Series III Type Connectors



233-360 Panel mount couplers with accessory threads

N



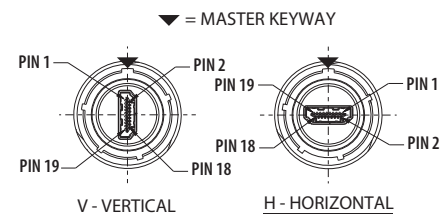
| Part Number Development | | | | | | |
|-------------------------------------|---|----|----|-----|---|---|
| Sample Part Number | 233-360 | NF | 00 | -17 | N | H |
| Basic Number | 233-360 | | | | | |
| Finish | See Material and Finish table | | | | | |
| Connector Style ¹ | See Connector Style table | | | | | |
| Shell Size | 17 | | | | | |
| Alternate Key Position ¹ | A, B, C, D, E, N = Normal per MIL-DTL-38999 | | | | | |
| HDMI Orientation | H = Horizontal V = Vertical | | | | | |
| Shrink Boot | T = Part No. 770-028 (Omit for None) | | | | | |

| Material and Finish | |
|---------------------|------------------------------|
| NF | Aluminum/Cadmium, Olive Drab |
| ME | Aluminum/Electroless Nickel |
| MT | Aluminum/Nickel PTFE |
| ZR | Aluminum/Black Zinc-Nickel |
| AB | Marine Bronze |
| XM | Composite/Electroless Nickel |

Additional material / finish options available consult factory

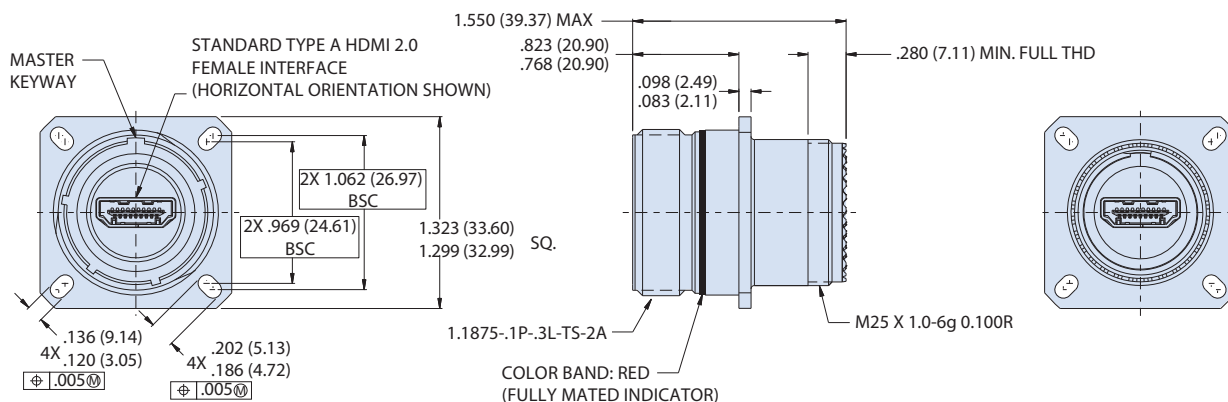
| Connector Style | |
|-----------------|---|
| 00 | Wall mount receptacle with slotted holes |
| D0 | Wall mount receptacle with thru-holes |
| CM | Wall mount receptacle with metric clinch nuts |
| CS | Wall mount receptacle with standard clinch nuts |
| 07 | Rear panel mount, jam nut receptacle |
| 05 | Inline receptacle |

HDMI 2 FEMALE ORIENTATION OPTIONS (PARTIAL FRONT VIEWS SHOWN)



All external dimensions, features, etc. compliant with D38999/20, /24, &/26. Consult factory for additional information.

00 - WALL MOUNT RECEPTACLE WITH SLOTTED THRU-HOLES



NOTES

- See Section A for alternate key/keyway positions and panel cutout dimensions
- Meets IP67 in unmated condition, IP68 mated
- HDMI Type A female port, front and back
- Front panel mount only
- Material and Finish
 - Shell, jam nut: see material finish table
 - Seals: silicone based elastomer
 - Hardware: stainless steel/passivated
- HDMI:
 - Housing: thermoplastic/NA
- Shell: copper alloy nickel plated
- Terminal: copper alloy/gold plated
- HDMI performance: design meets HDMI 2.0 protocol requirement including 18Gbps of bandwidth and supports 4K resolution and 60Hz



HDMI 2.0 CONNECTORS

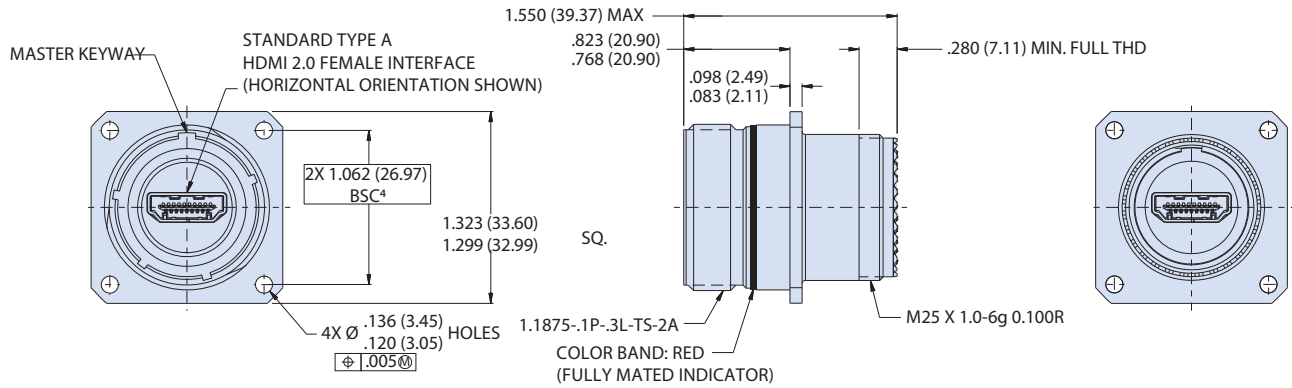
MIL-DTL-38999 Series III Type Connectors



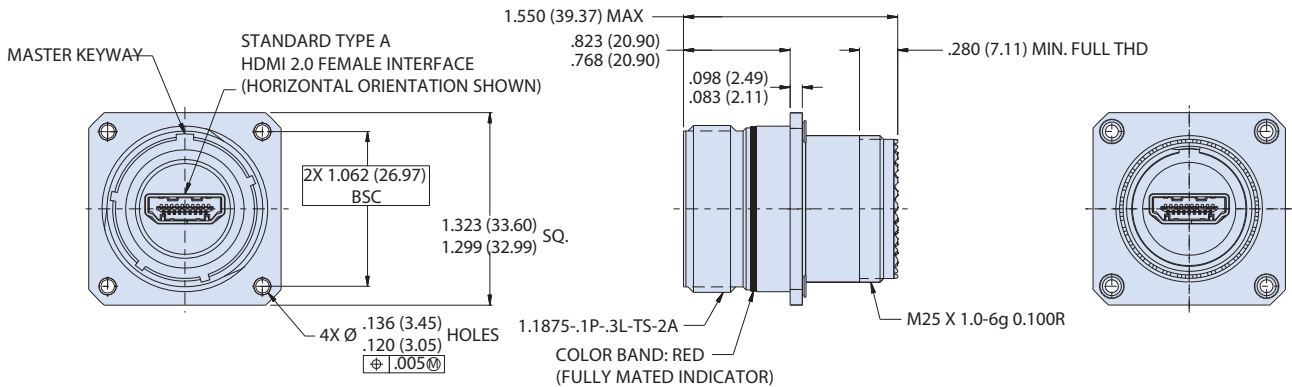
233-360 Panel mount couplers with accessory threads



DO - WALL MOUNT RECEPTACLE WITH ROUND THRU-HOLES



CM - WALL MOUNT RECEPTACLE WITH METRIC CLINCH NUTS



CS - WALL MOUNT RECEPTACLE WITH STANDARD CLINCH NUTS

