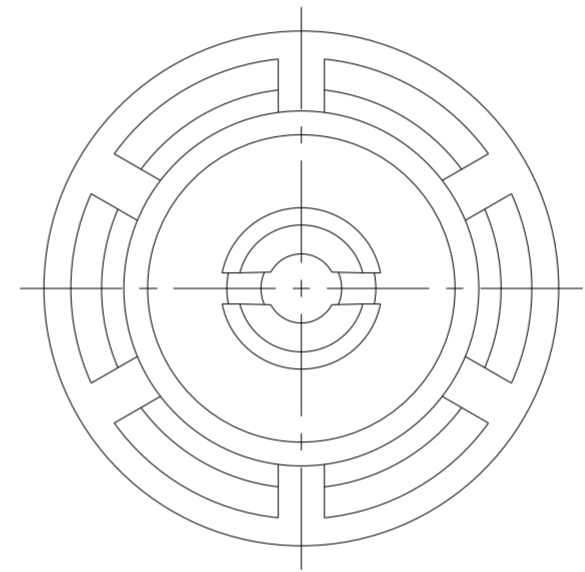
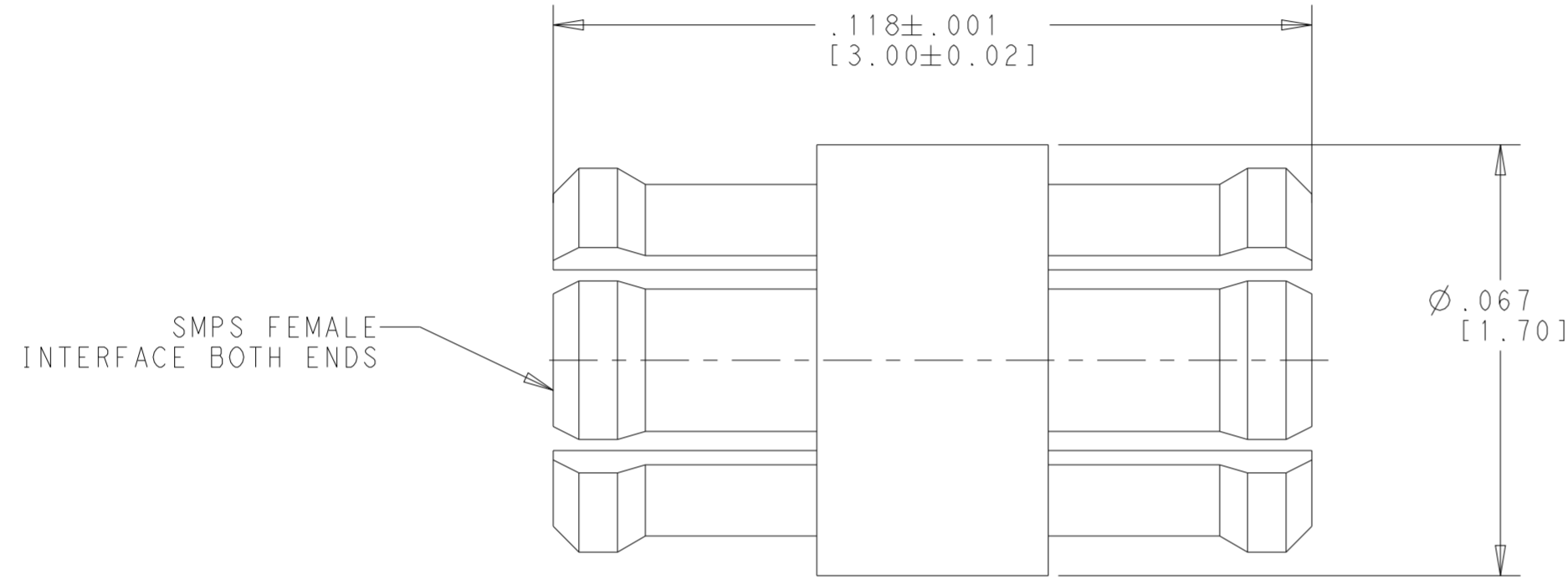


THIS DRAWING IS UNPUBLISHED. RELEASED FOR PUBLICATION 20
 © COPYRIGHT 20 BY - ALL RIGHTS RESERVED.

REVISIONS				
P	LTR	DESCRIPTION	DATE	APVD
A		INITIAL RELEASE	23AUG2021	KM FB



- 1 MATERIAL:
BODY AND CENTER CONTACT: COPPER ALLOY
INSULATOR: TEFLON (PTFE)
- 2 FINISH: BODY AND CENTER CONTACT: GOLD PLATE OVER NICKEL

2313630-1
PART NUMBER

THIS DRAWING IS A CONTROLLED DOCUMENT.		DWN K. MILLER 20 JUL 2018	TE Connectivity	
DIMENSIONS: INCHES [mm]		CHK F. BLASICK 20 JUL 2018		
TOLERANCES UNLESS OTHERWISE SPECIFIED: 0 PLC ± 1 PLC ± 2 PLC ± 3 PLC ± 4 PLC ± ANGLES ± FINISH		APVD -	NAME ADAPTER, SMPS, BULLET JACK TO JACK	
MATERIAL 1		PRODUCT SPEC -	APPLICATION SPEC -	RESTRICTED TO -
		WEIGHT -	SIZE A2	CAGE CODE 00779
		CUSTOMER DRAWING	DRAWING NO C-2331630	SCALE 40:1 SHEET 1 OF 1 REV A