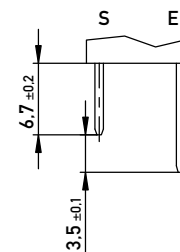
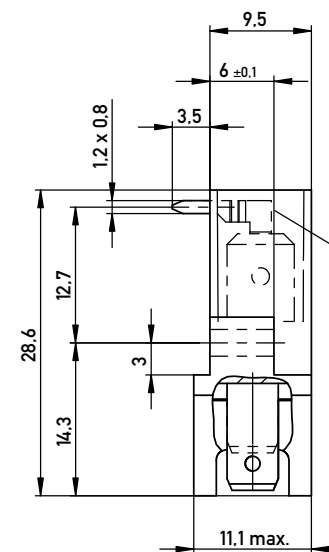
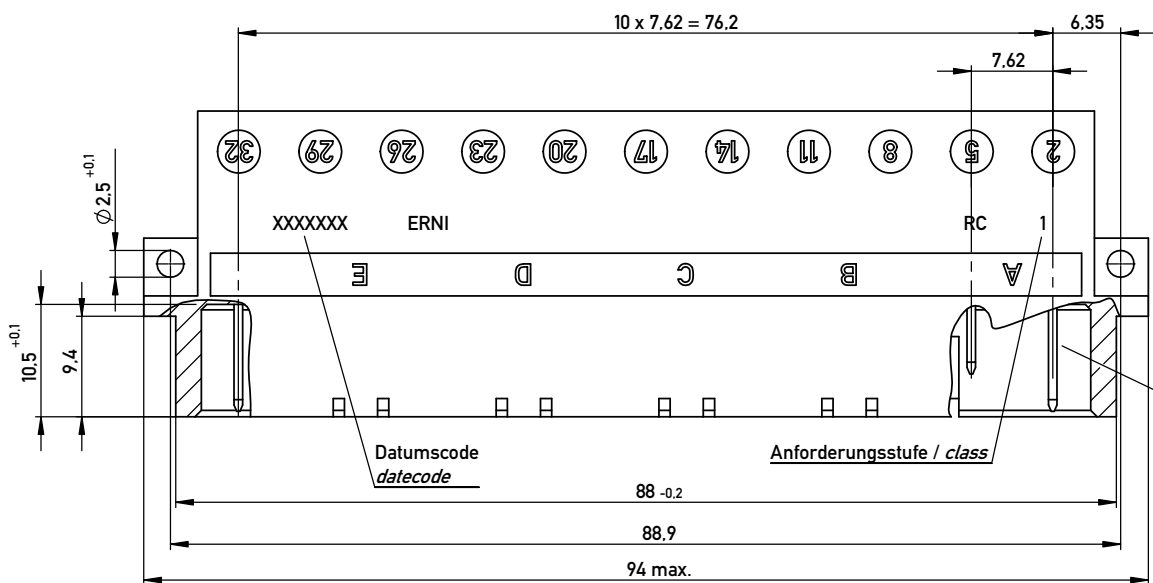


Stecklänge / mating length



E = early mate, late break / voreilend

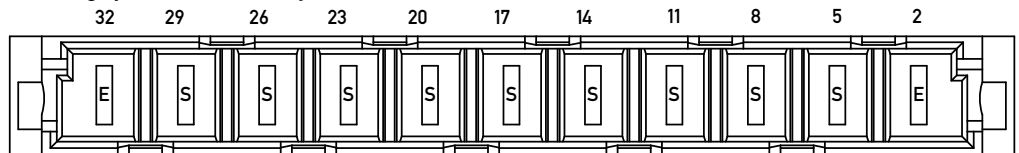
S = standard



abrechenbar
breakable

Stecklänge
mating length

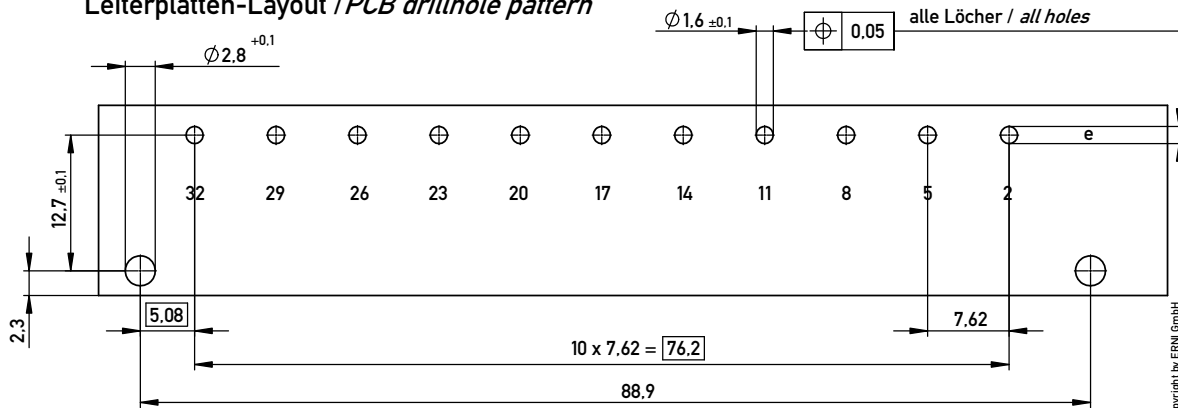
Bestückungsplan / contact layout



Lötanschluss 0.8 x 1.2 mm / solder terminal 0.8 x 1.2 mm
Anforderungsstufe 1 = 500 Steckzyklen / performance class 1 = 500 mating cycles
Bauart 3 / type 3

Fehlende Masse und Angaben nach DIN EN 60603-2 /
Missing information and dimensions according to DIN EN 60603-2

Leiterplatten-Layout / PCB drillhole pattern



Copyright by ERNI GmbH.
Proprietary notice pursuant to ISO 9006 to be observed.

Information:		Tolerances	Scale	2:1
All rights reserved. Only for Information. To ensure that this is the latest version of this drawing, please contact one of the ERNI companies before using.		All Dimensions in mm	Designation	
Subject to modification without prior notice. Drawing will not be updated.			Messerleiste H11 Löt Male Connector H11 Solder	
www.ERNI.com		233235		I
b	31.07.2015	Class		A3
Index	Date	STVH1		