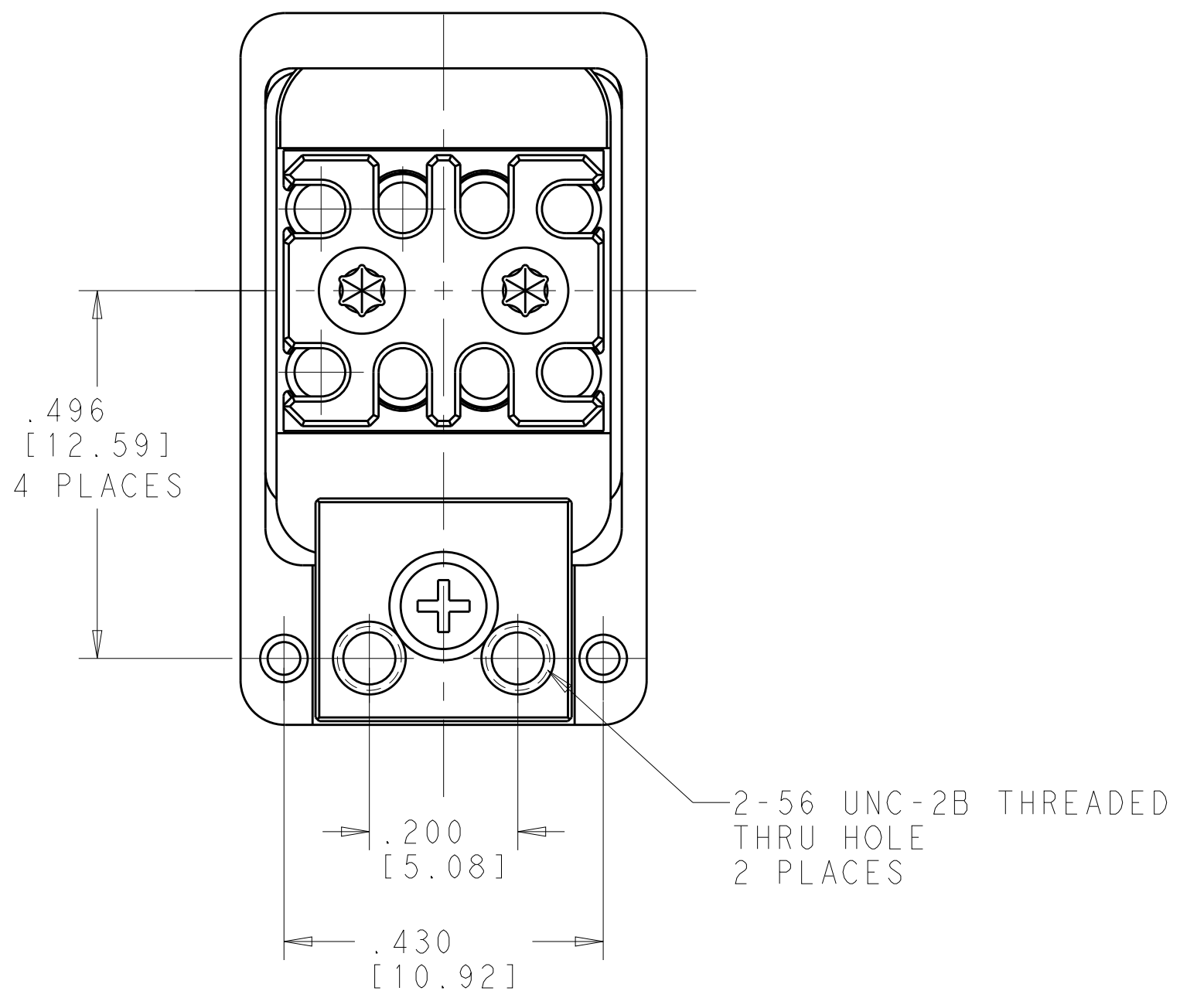
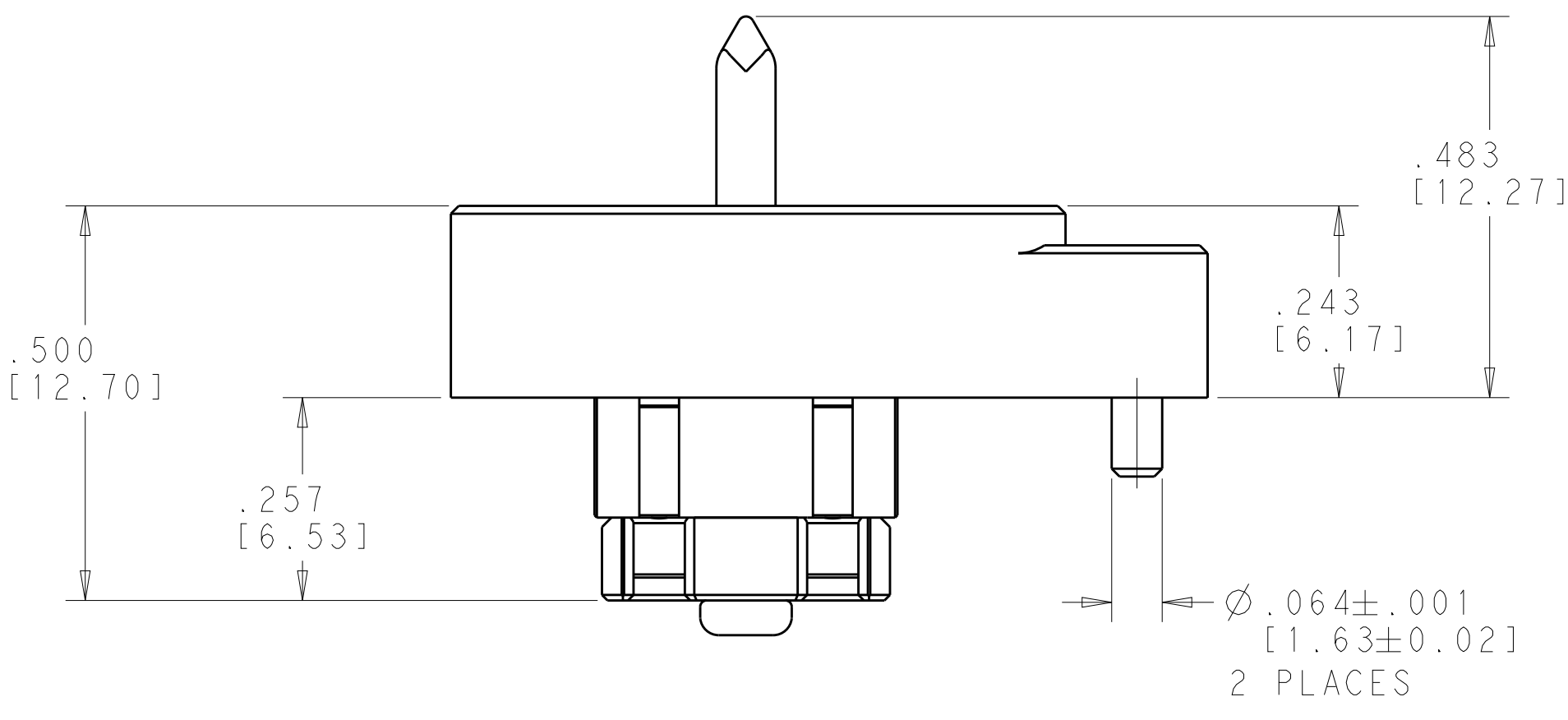
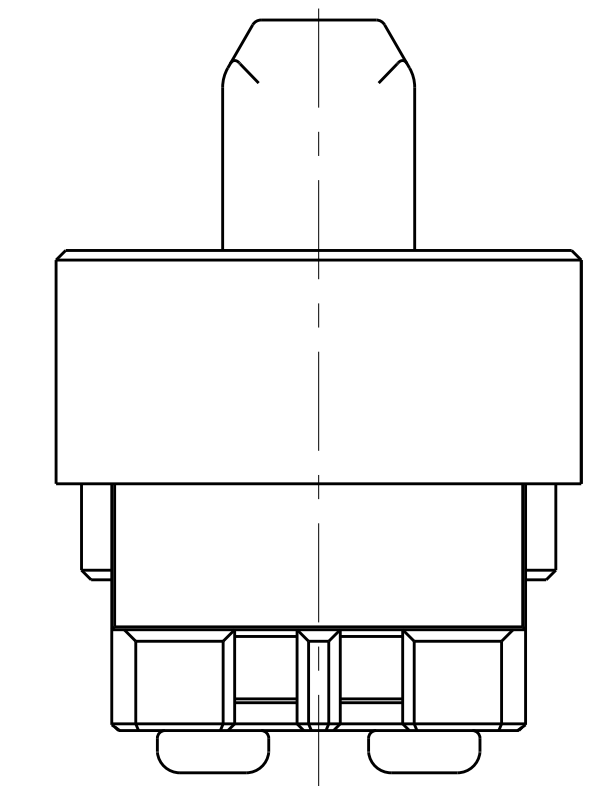
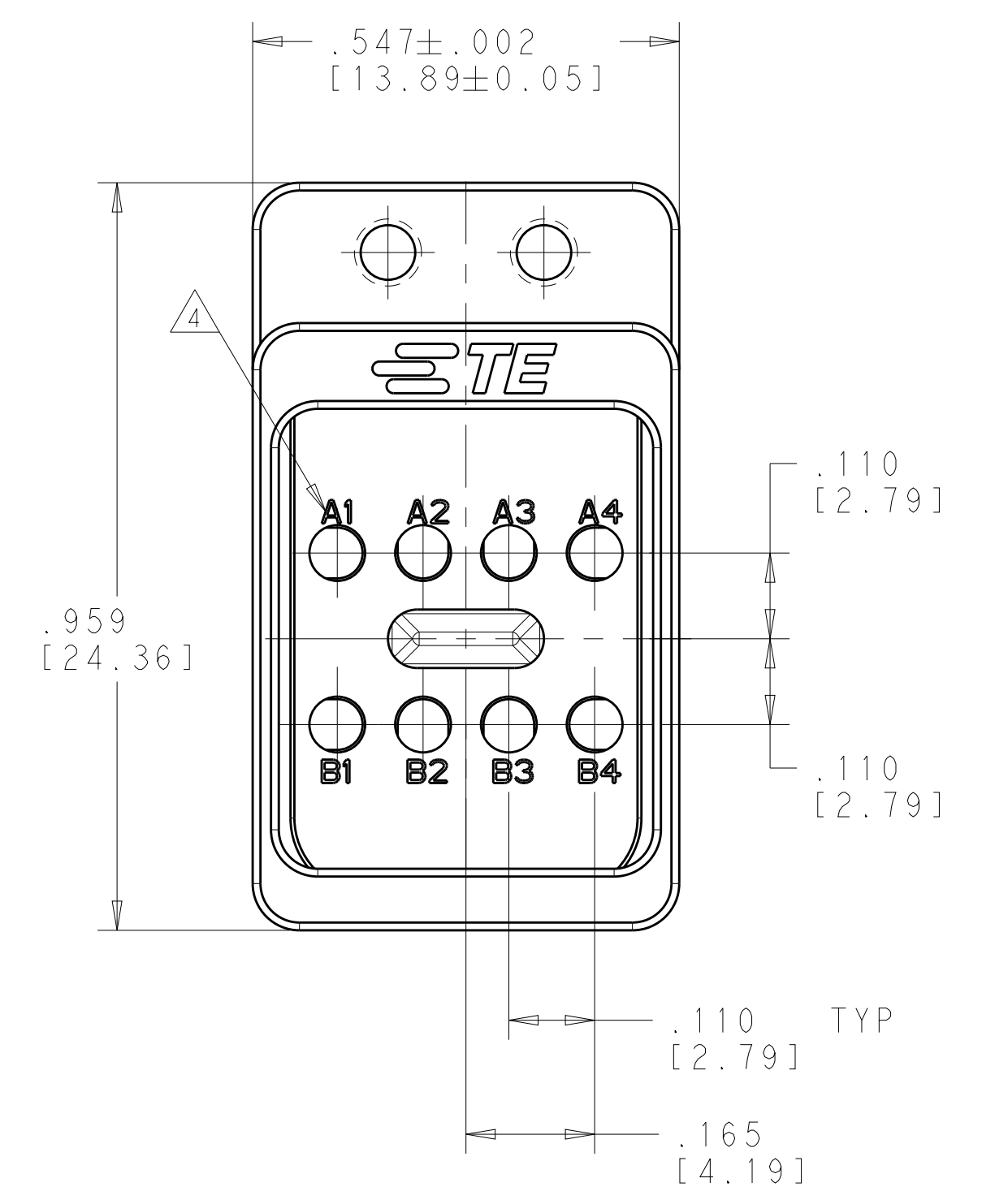
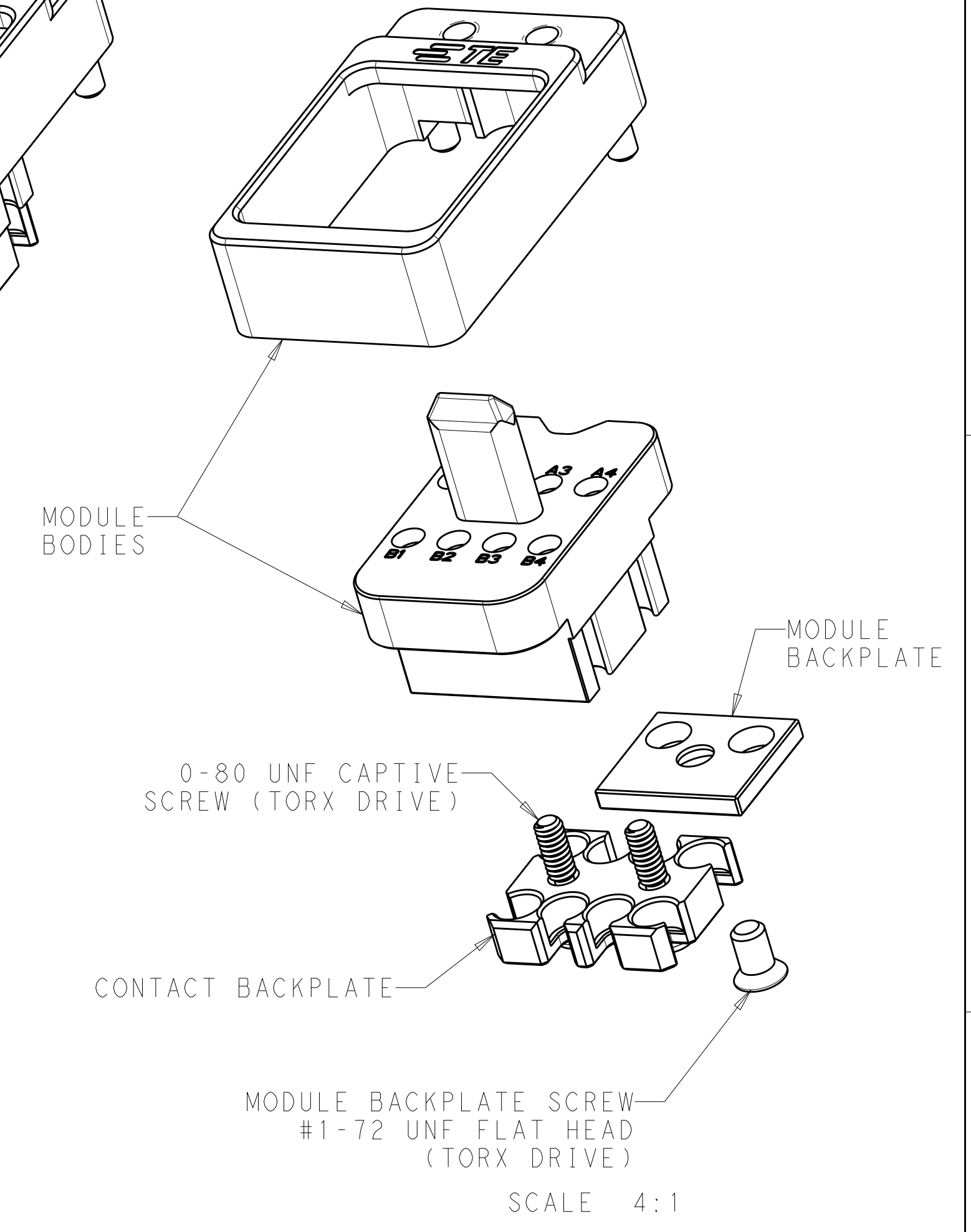
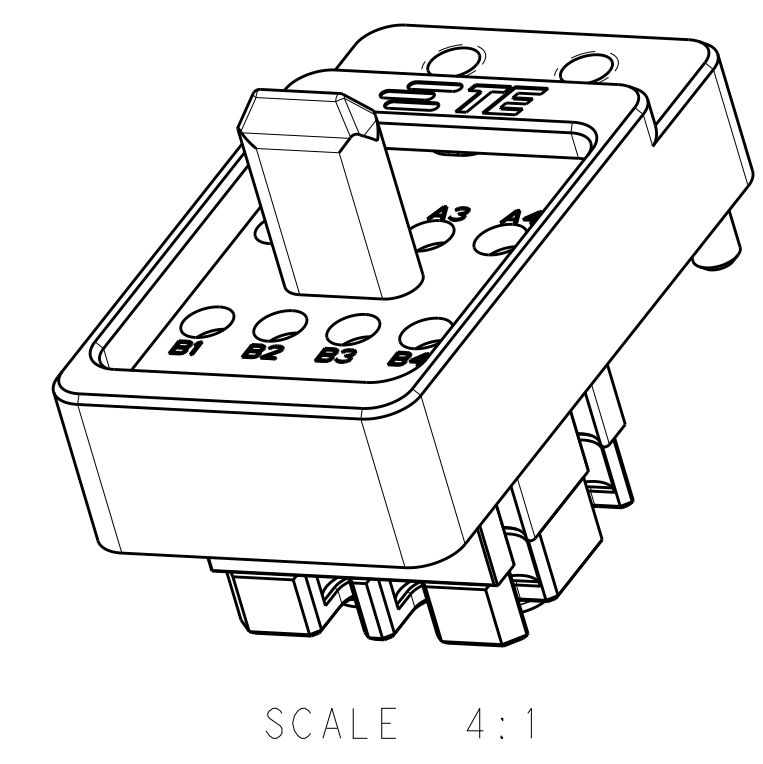


REVISIONS				
P.	LTN.	DESCRIPTION	DATE	APVD.
B		REV PER ECO 19-016099	10-22-19	CT FB



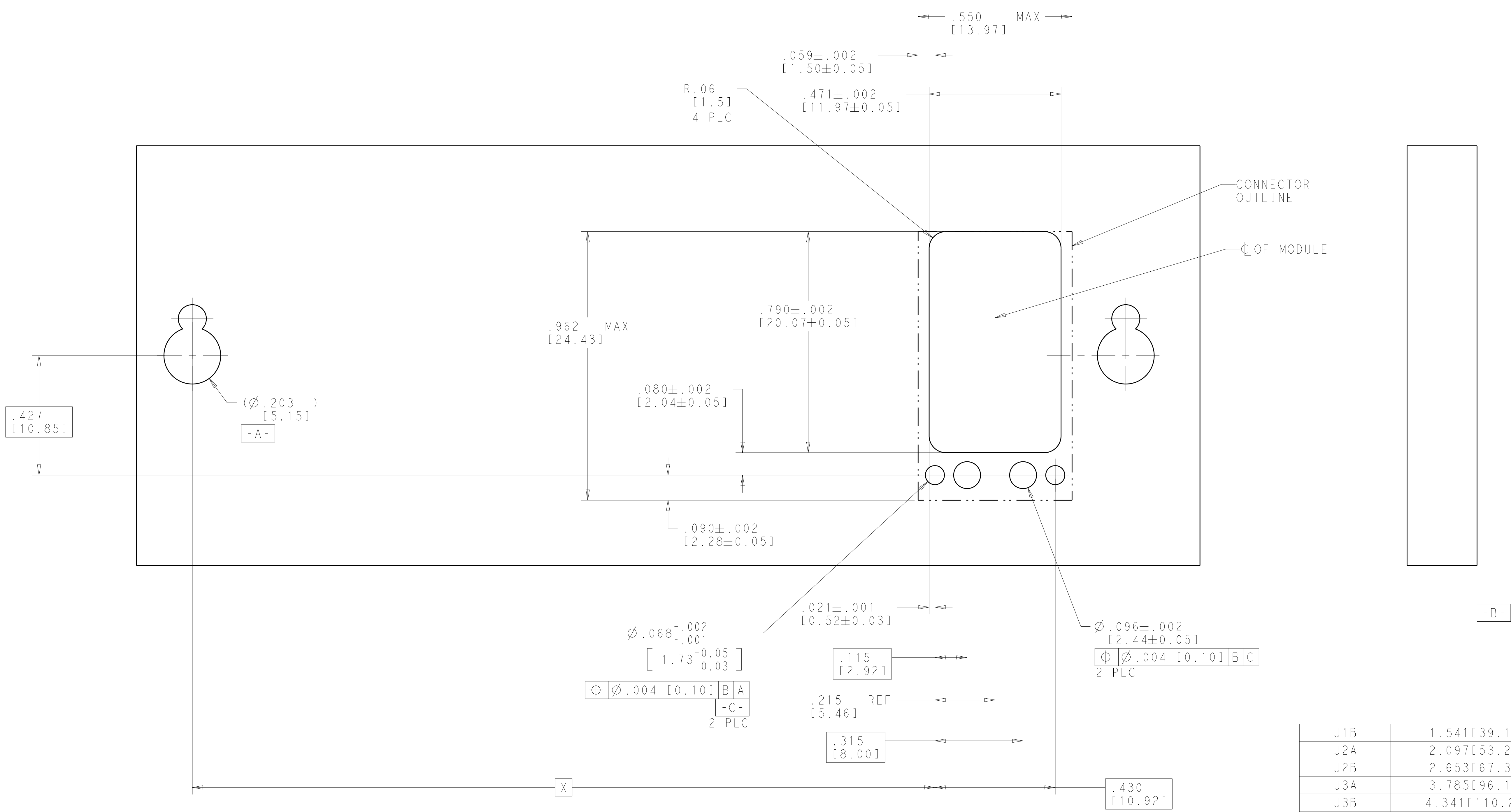
- 1 MATERIAL:
MODULE BODIES AND BACKPLATES - SEE TABLE
SCREWS - 300 SERIES STAINLESS STEEL
- 2 FINISH:
MODULE BODIES - SEE TABLE
SCREWS - PASSIVATED
- 3. SHIPPED IN KIT FORM. CONTACT BACKPLATE SCREWS TO BE ASSEMBLED TO CONTACT BACKPLATE. MODULE BODIES TO BE ASSEMBLED TOGETHER WITH MODULE BACKPLATE AND MODULE BACKPLATE SCREW.
- 4 CIRCUIT IDENTIFICATION MARKING
- 5. DESIGNED TO BE USED WITH CONTACTS 2302345-1



CLEAR CHROMATE CONVERSION COATING	ALUMINUM ALLOY 7075	2332627-2
PASSIVATED	STAINLESS STEEL PER UNS S30300	2332627-1
MODULE FINISH 2	MODULE MATERIAL 1	PART NUMBER

THIS DRAWING IS A CONTROLLED DOCUMENT.		OWN K. MILLER 16MAY2018	NAME 8 POSITION NanoRF MODULE P.C.B. MOUNT - BACKPLANE VITA 67.3 FOOTPRINT COMPATIBLE	
DIMENSIONS: INCHES/mm		CHK K. DOWNHOWER 16MAY2018	RESTRICTED TO	
TOLERANCES UNLESS OTHERWISE SPECIFIED:		APVD K. DOWNHOWER 16MAY2018	SCALE 5:1 SHEET 1 OF 2 REV B	
0 PLC ±	1 PLC ±	PRODUCT SPEC	A100779C=2332627	
2 PLC ±	3 PLC ±	APPLICATION SPEC		
4 PLC ±	ANGLES ±	408-163016		
MATERIAL 1	FINISH 2	WEIGHT		
CUSTOMER DRAWING				

REVISIONS				
P.	LTN.	DESCRIPTION	DATE	APVD.
-	-	SEE SHEET 1	-	-



REF PCB LAYOUT - SEE VITA 67.3 FIGURE 6.1.5.2-1

J1B	1.541[39.15]
J2A	2.097[53.27]
J2B	2.653[67.39]
J3A	3.785[96.14]
J3B	4.341[110.26]
J4A	4.919[124.94]
J4B	5.475[139.06]
J5A	6.053[153.74]
J5B	6.609[167.86]
J6A	7.187[182.54]
J6B	7.743[196.66]
POSITION	DIM "X"

THIS DRAWING IS A CONTROLLED DOCUMENT.		DWN: J. MILLER 16MAY2018 CHK: K. DOWHOWER 16MAY2018 APVD: K. DOWHOWER 16MAY2018	TE Connectivity NAME: 8 POSITION NanoRF MODULE P.C.B. MOUNT - BACKPLANE VITA 67.3 FOOTPRINT COMPATIBLE
DIMENSIONS: INCHES/mm 	TOLERANCES UNLESS OTHERWISE SPECIFIED: 0 PLC ± 1 PLC ± 2 PLC ± 3 PLC ±.005[0.13] 4 PLC ± ANGLES ±	PRODUCT SPEC: 108-163006 APPLICATION SPEC: 408-163016 WEIGHT: - CUSTOMER DRAWING	