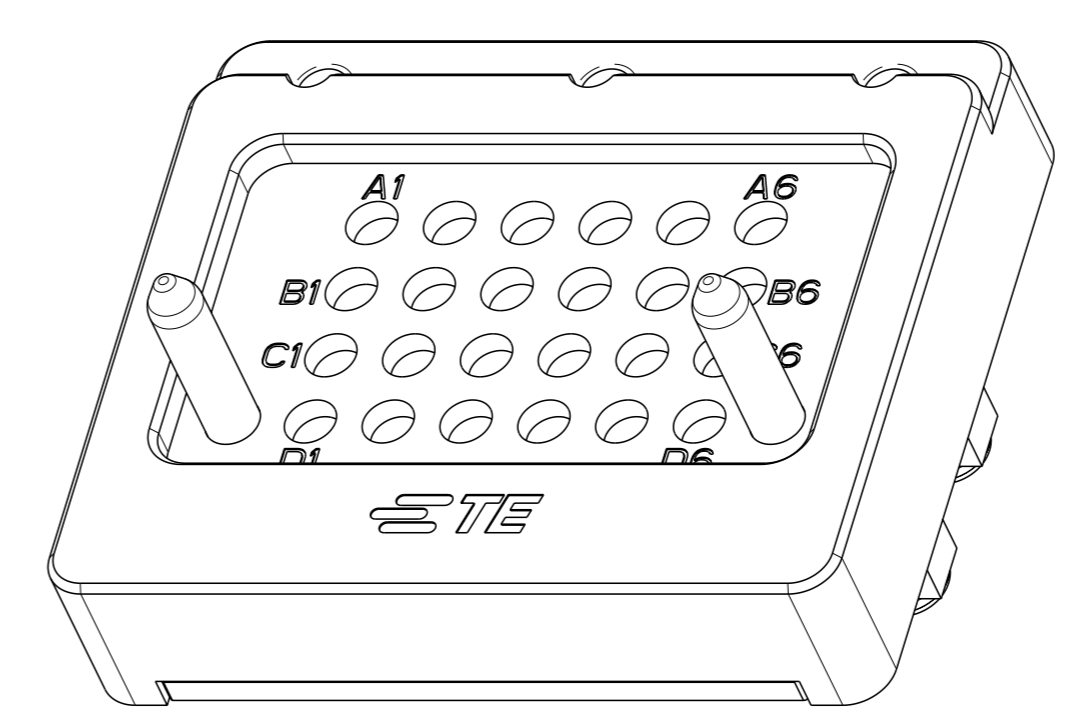
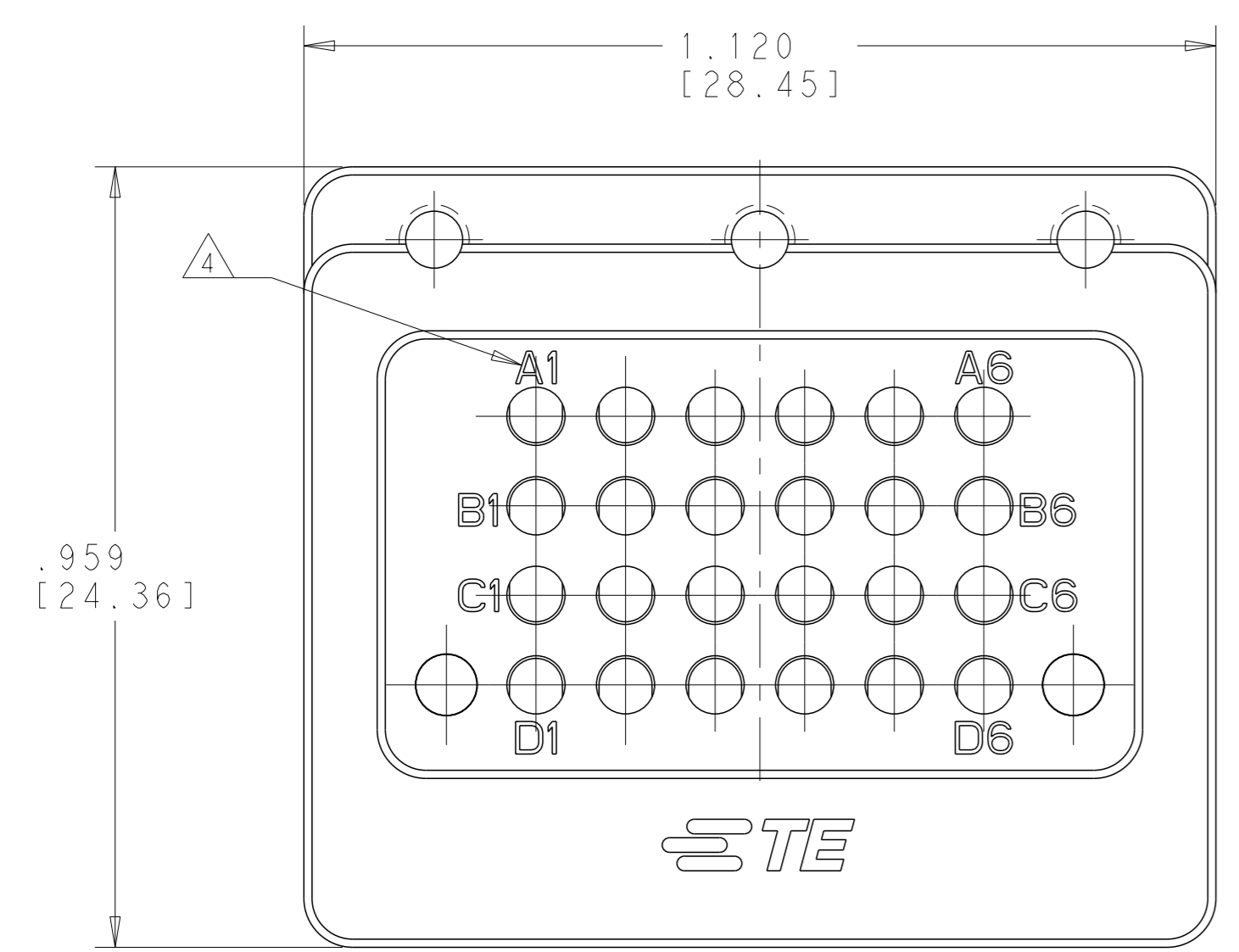
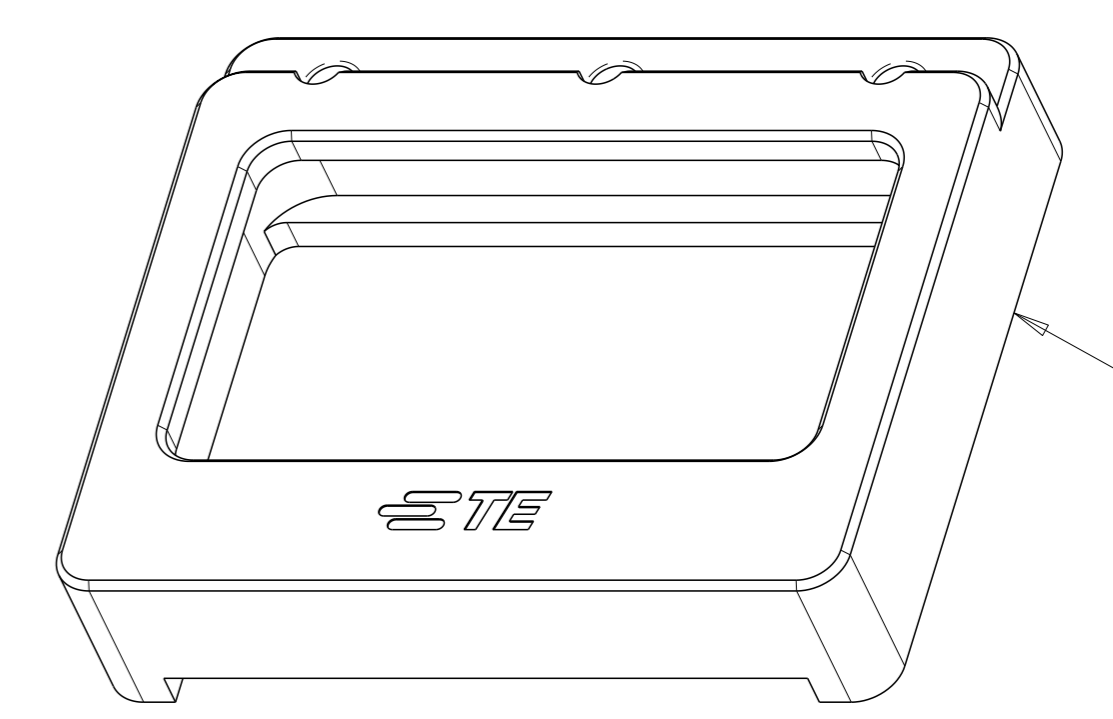


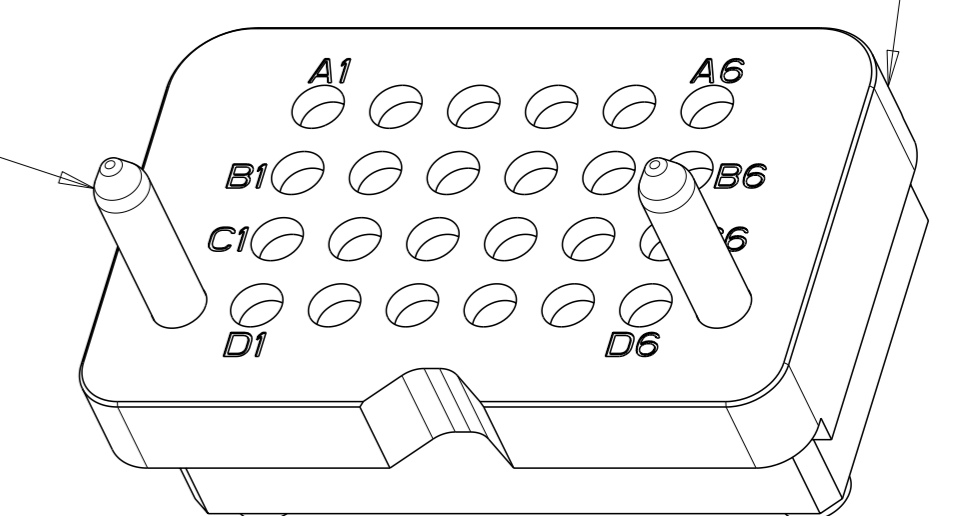
LOC		DIST		REVISIONS			
P	LYR	DESCRIPTION	DATE	OWN	APVD		
A		RELEASED PER ECN 21-105002	6-14-21	CT	FB		



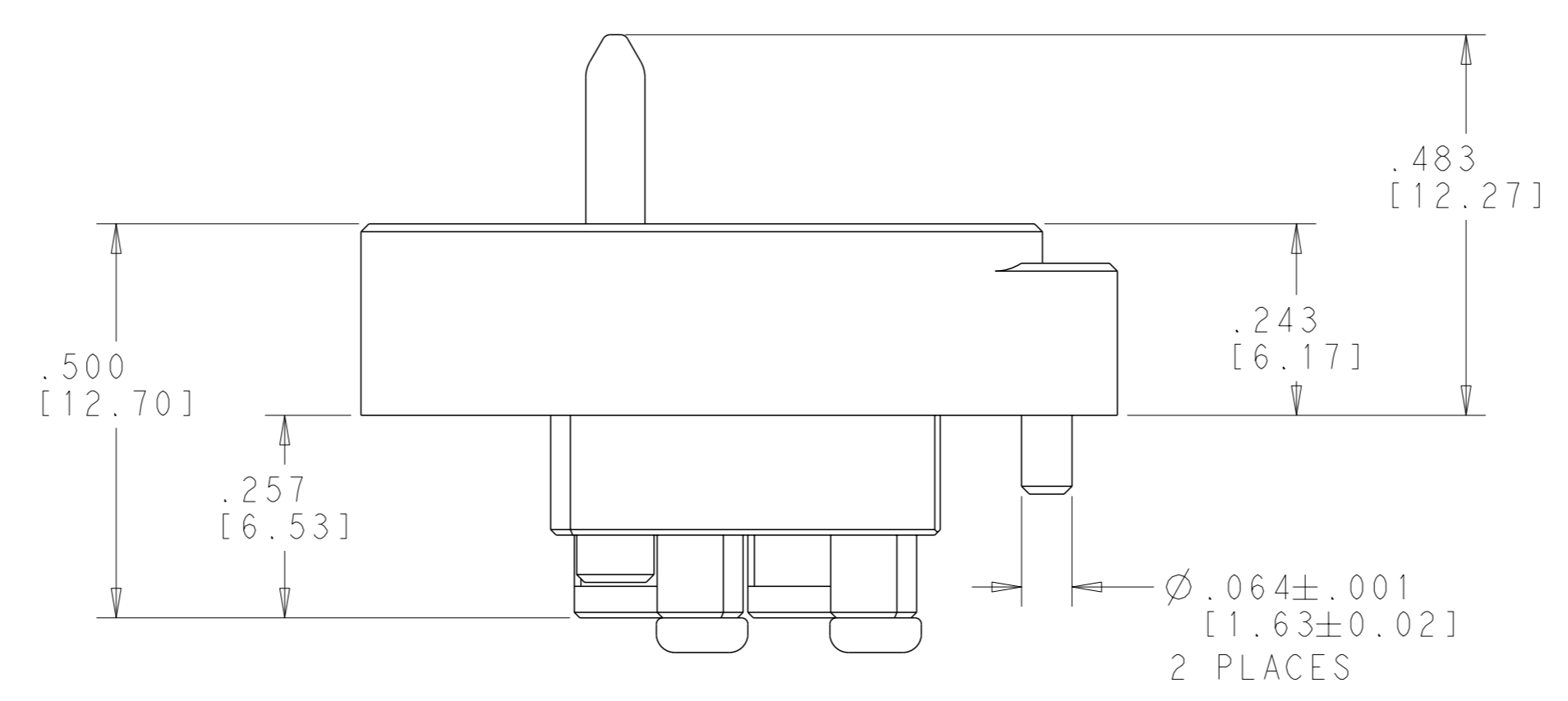
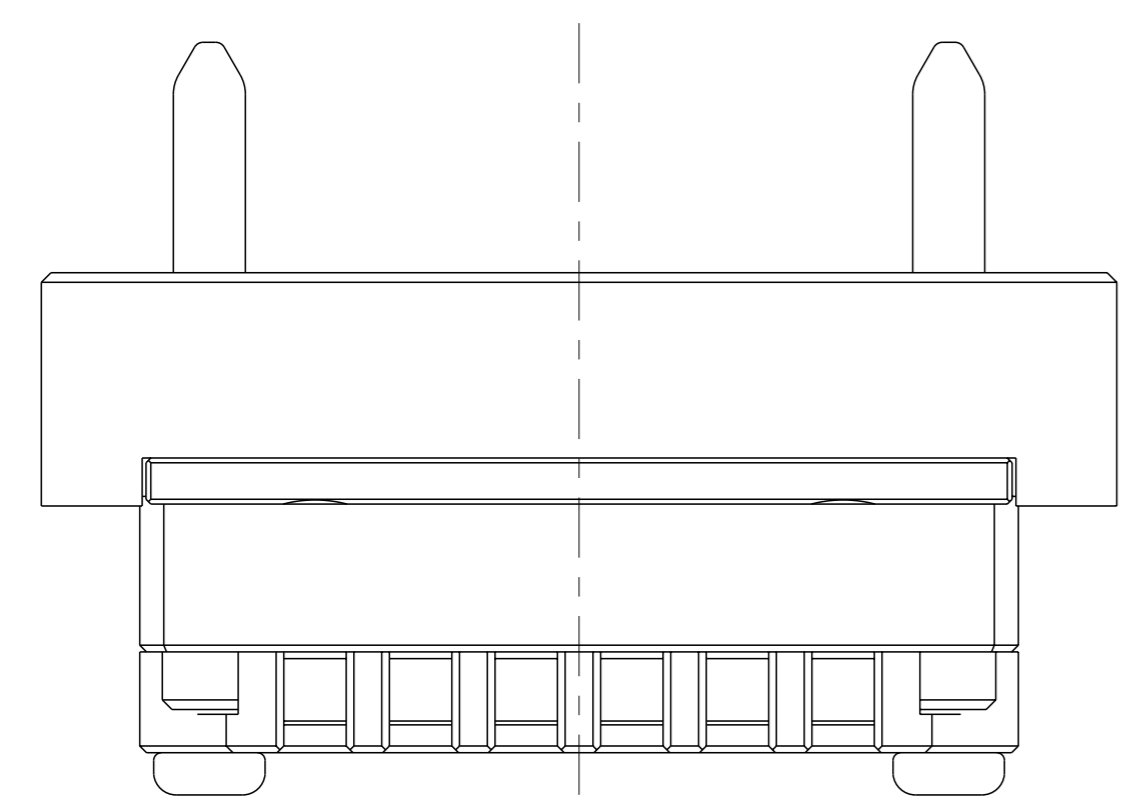
SCALE 4:1



MODULE BODIES



GUIDE PINS



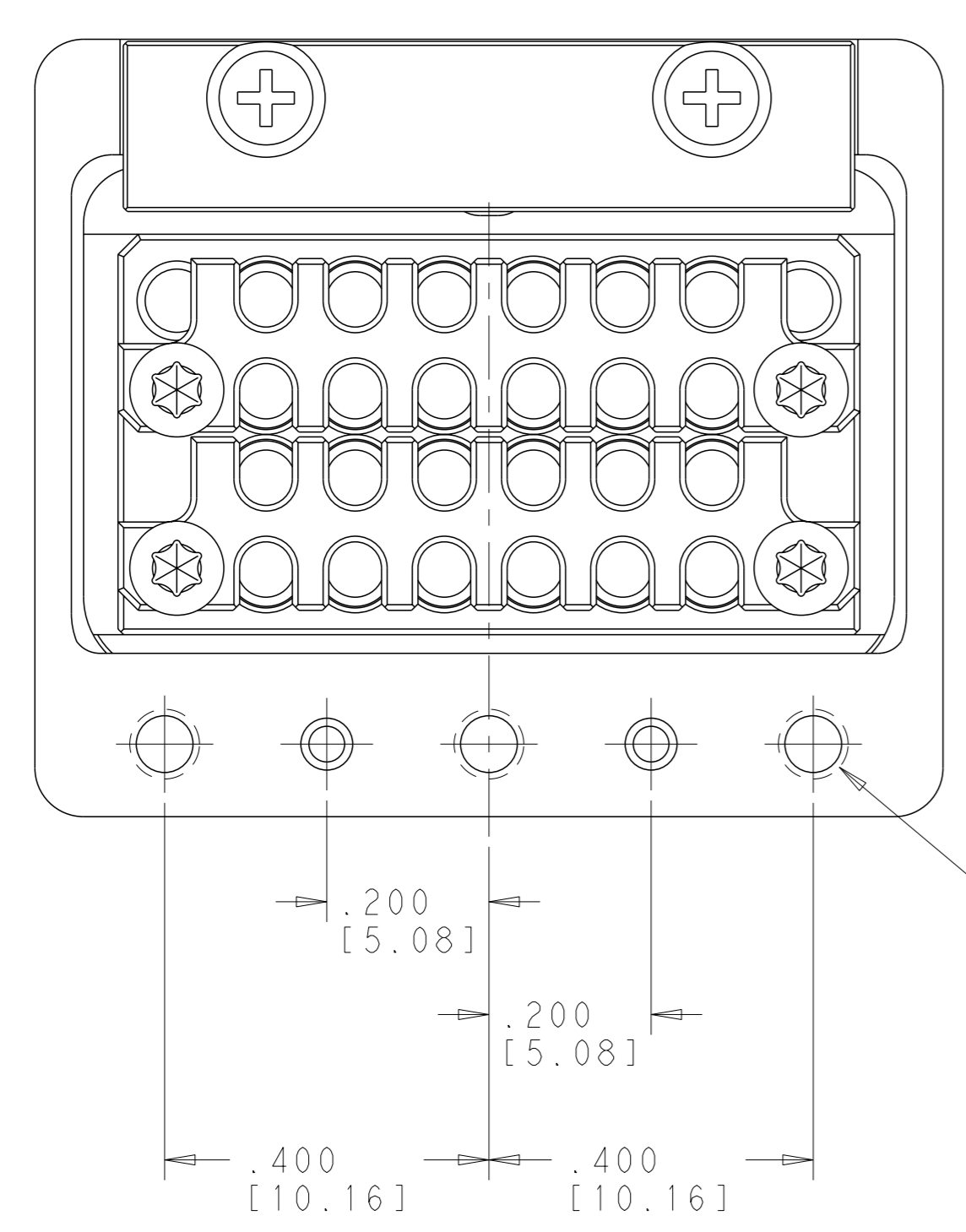
0-80 UNF CAPTIVE SCREW (TORX DRIVE)

CONTACT BACKPLATE

MODULE BACKPLATE

MODULE BACKPLATE SCREW #1-72 UNF FLAT HEAD (PHILLIPS DRIVE)

SCALE 4:1



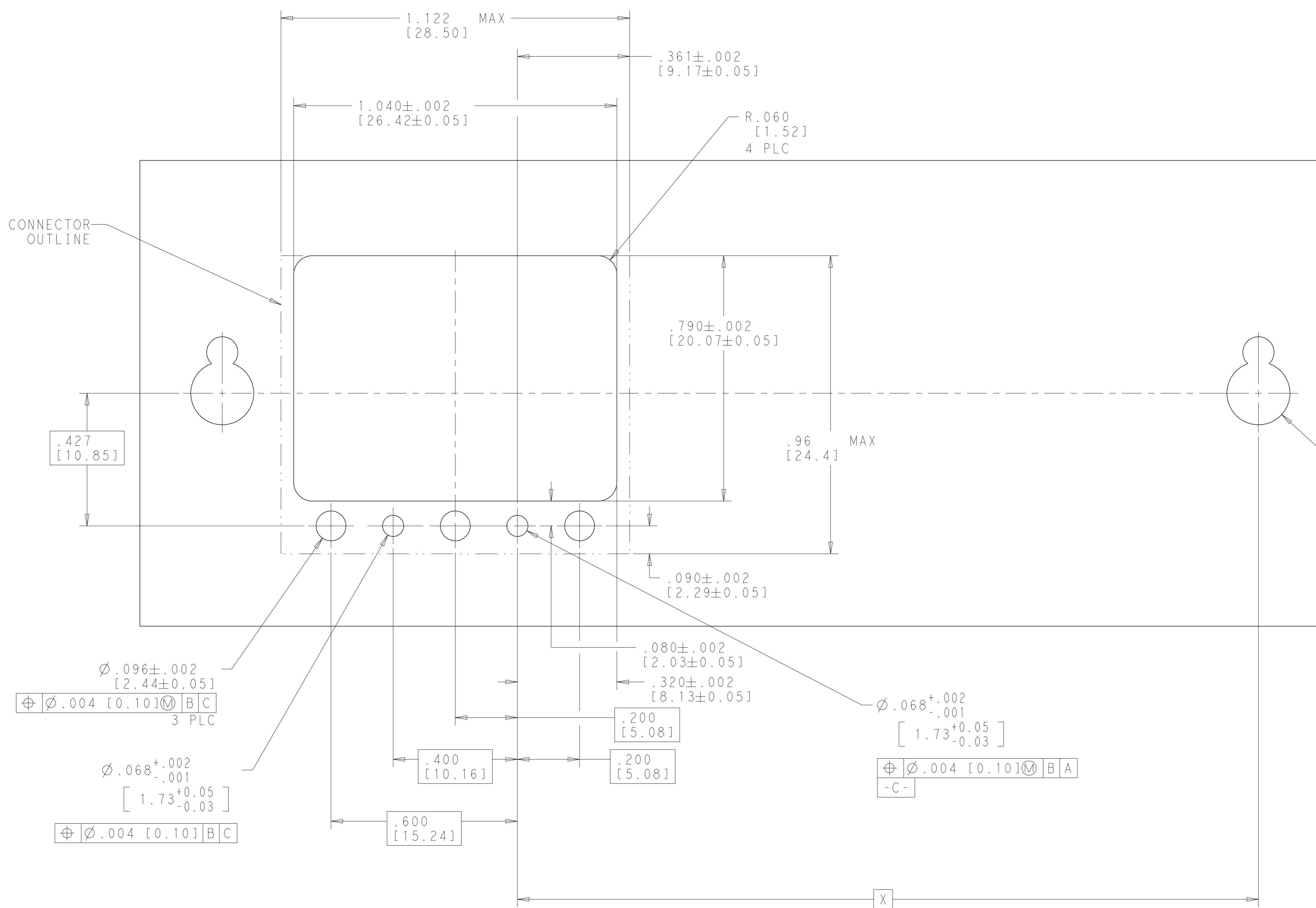
- △ MATERIAL:
MODULE BODIES AND BACKPLATES - SEE TABLE
GUIDE PIN - STAINLESS STEEL, PER UNS S30300
SCREWS - 300 SERIES STAINLESS STEEL
- △ FINISH:
MODULE BODIES - SEE TABLE
SCREWS AND GUIDE PIN - PASSIVATED
- 3. SHIPPED IN KIT FORM. CONTACT BACKPLATE SCREWS TO BE ASSEMBLED TO CONTACT BACKPLATE. MODULE BODIES TO BE ASSEMBLED TOGETHER WITH MODULE BACKPLATE AND MODULE BACKPLATE SCREW.
- △ CIRCUIT IDENTIFICATION MARKING

CLEAR CHROMATE CONVERSION COATING	ALUMINUM ALLOY 7075	2332709-2
PASSIVATED	STAINLESS STEEL PER UNS S30300	2332709-1
MODULE FINISH △2	MODULE MATERIAL △1	PART NUMBER

THIS DRAWING IS A CONTROLLED DOCUMENT. DWG: K. MILLER 20 JUN 2018. CHK: F. BLASICK 23 JUL 2018. APVD: F. BLASICK 23 JUL 2018. NAME: ASSEMBLY, RF MODULE, BACKPLANE EDGELAUNCH, V67.3, C CUTOUT. SIZE: A1. CAGE CODE: 00779. DRAWING NO: 2332709. SCALE: 5:1. SHEET: 1 OF 2. REV: A.

Printed on 30 Jul 2021 19:33 (incl. Standard Time) from TECP058

LOC		DIST		REVISIONS			
P	LYR	DESCRIPTION	DATE	OWN	APVD		
-	-	SEE SHEET 1	-	-	-		



Ø.203 [5.15]
-A-

-B-

□ .002 [0.05]

X

J2	2.385[60.58]
J3	3.942[100.13]
J4	5.276[134.00]
J5	6.409[162.80]
J6	7.557[191.95]
POSITION	DIM "X"

DESIGNED FOR VITA 67.3 MODULE C (FIGURE 6.1.4.1-1)
 (VIEWED FROM BACKSIDE OF BACKPLANE)

THIS DRAWING IS A CONTROLLED DOCUMENT.

DIMENSIONS: INCHES/mm	TOLERANCES UNLESS OTHERWISE SPECIFIED: 0 PLC ± 1 PLC ± 2 PLC ± 3 PLC ±.005[0.13] 4 PLC ± ANGLES ± FINISH *	OWN: K. MILLER 20JUN2018 CHK: F. BLASICK 23JUL2018 APVD: -	NAME: ASSEMBLY, RF MODULE, BACKPLANE EDGELAUNCH, V67.3, C CUTOUT
MATERIAL NOTE 1	NOTE 2	SIZE: A1 CAGE CODE: 00779 DRAWING NO: C=2332709	RESTRICTED TO: -
Customer Drawing		SCALE: 5:1	SHEET 2 OF 2 REV A

4805 (3/11)